

# SECTION AV

## AUDIO VISUAL, NAVIGATION & TELEPHONE SYSTEM

### CONTENTS

<b>SERVICE INFORMATION</b> .....	4	Terminal and Reference Value for Satellite Radio Tuner .....	46	
<b>PRECAUTIONS</b> .....	4	AV Switch Self-Diagnosis Function (With NAVI) ....	46	
Precaution for Supplemental Restraint System (SRS) "AIR BAG" and "SEAT BELT PRE-TENSIONER" .....	4	Audio Unit Self-Diagnosis Mode (Without NAVI) ....	47	
<b>PREPARATION</b> .....	5	Trouble Diagnosis .....	47	
Commercial Service Tool .....	5	Noise Inspection .....	49	
<b>AUDIO</b> .....	6	Power Supply Circuit Inspection .....	50	
Component Parts and Harness Connector Location .....	6	Satellite Radio Tuner (Factory Installed) Power and Ground Supply Circuit Inspection .....	52	
System Description .....	7	Satellite Radio Tuner (Factory Installed) Communication Circuit Inspection .....	52	
Schematic .....	9	Satellite Radio Tuner (Factory Installed) Left Channel Audio Signal Circuit Inspection .....	54	
Wiring Diagram - AUDIO - .....	12	Satellite Radio Tuner (Factory Installed) Right Channel Audio Signal Circuit Inspection .....	55	
Audio Unit (Base System) Harness Connector Terminal Layout .....	34	Steering Switch Check (Without Bluetooth or NAVI) .....	56	
Terminal and Reference Value for Audio Unit (Base System) .....	34	Steering Switch Check (With Bluetooth and without NAVI) .....	57	
Audio Unit (BOSE System without NAVI) Harness Connector Terminal Layout .....	35	Steering Switch Check (with NAVI) .....	59	
Terminal and Reference Value for Audio Unit (BOSE System without NAVI) .....	36	AV Switch Check (With NAVI) .....	60	
Audio Unit (BOSE System with NAVI) Harness Connector Terminal Layout .....	38	Audio Communication Line Check (With Navigation System) .....	60	
Terminal and Reference Value for Audio Unit (BOSE System with NAVI) .....	39	Sound Is Not Heard from Front Door Speaker or Tweeter (Base System) .....	60	
Subwoofer Amp (Base System) Harness Connector Terminal Layout .....	41	Sound Is Not Heard from Rear Door Speaker (Base System) .....	62	
Terminal and Reference Value for Subwoofer Amp (Base System) .....	41	Sound Is Not Heard from Front Door Speaker or Tweeter (BOSE System) .....	63	
BOSE Speaker Amp Harness Connector Terminal Layout .....	42	Sound Is Not Heard from Rear Door Speaker (BOSE System) .....	67	
Terminal and Reference Value for BOSE Speaker Amp .....	42	Sound Is Not Heard from Subwoofers (Base System) .....	70	
AV Switch Harness Connector Terminal Layout (With NAVI) .....	44	Sound Is Not Heard from Subwoofers (BOSE System) .....	73	
Terminal and Reference Value for AV Switch .....	44	Removal and Installation .....	74	
Satellite Radio Tuner Harness Connector Terminal Layout .....	45	<b>AUDIO ANTENNA</b> .....	79	
		System Description .....	79	
		Wiring Diagram - W/ANT - .....	80	
		Location of Antenna .....	81	

Window Antenna Repair .....	81	Power Supply and Ground Circuit Inspection for Display Control Unit .....	146
<b>TELEPHONE .....</b>	<b>83</b>	Power Supply and Ground Circuit Inspection for Display Unit .....	147
Component Parts and Harness Connector Location .....	83	Power Supply and Ground Circuit Inspection for AV Switch .....	148
System Description .....	83	Vehicle Speed Signal Inspection for NAVI Control Unit .....	149
Wiring Diagram - H/PHON - .....	87	Vehicle Speed Signal Inspection for Display Control Unit .....	150
Bluetooth Control Unit Harness Connector Terminal Layout .....	89	Illumination Signal Inspection for NAVI Control Unit .....	151
Terminal and Reference Value for Bluetooth Control Unit .....	89	Illumination Signal Inspection for Display Control Unit .....	151
Bluetooth Control Unit Self-Diagnosis Function ....	90	Ignition Signal Inspection for NAVI Control Unit ..	152
Workflow .....	91	Ignition Signal Inspection for Display Control Unit.	152
Power Supply and Ground Circuit Inspection for Bluetooth Control Unit .....	91	Reverse Signal Inspection for NAVI Control Unit .	152
Removal and Installation .....	92	Reverse Signal Inspection for Display Control Unit ..	153
<b>INTEGRATED DISPLAY SYSTEM .....</b>	<b>95</b>	AV Communication Line Check (Between Display Control Unit and NAVI Control Unit) .....	153
Component Parts and Harness Connector Location .....	95	Audio Communication Line Check (Between Display Control Unit and Audio Unit) .....	154
System Description .....	95	Display Communication Line Check (Between Display Control Unit and Display Unit) .....	156
Schematic .....	96	AV Communication Line Check (Between Display Control Unit and AV Switch) .....	157
Wiring Diagram - INF/D - .....	97	CAN Communication Line Check .....	158
Wiring Diagram - COMM - .....	102	NAVI control unit detects that DVD-ROM map is not inserted .....	159
Terminal and Reference Value for AV Switch .....	103	NAVI control unit detects that inserted DVD-ROM map is malfunctioning or if it is impossible to load data from DVD-ROM map .....	159
On Board Self-Diagnosis Function .....	103	Connection Between NAVI Control Unit and GPS Antenna is Malfunctioning .....	159
Self-Diagnosis Mode .....	104	RGB Screen is Not Shown .....	159
Trouble Diagnosis Chart by Symptom .....	107	Color of RGB Image is Not Proper (NAVI Screen Looks Bluish) .....	160
Audio Unit Terminal Value Check .....	108	Color of RGB Image is Not Proper (Only NAVI Screen Looks Reddish) .....	161
Steering Switch Check .....	108	Color of RGB Image is Not Proper (Only NAVI Screen Looks Yellowish) .....	162
Removal and Installation .....	108	Color of RGB Image is Not Proper (Except NAVI Screen Looks Bluish) .....	163
<b>NAVIGATION SYSTEM .....</b>	<b>109</b>	Color of RGB Image is Not Proper (Except NAVI Screen Looks Reddish) .....	164
System Description .....	109	Color of RGB Image is Not Proper (Except NAVI Screen Looks Yellowish) .....	165
Component Parts Location .....	112	NAVI Screen is Rolling .....	165
Schematic .....	113	RGB Screen is Rolling (Except NAVI Screen) .....	167
Wiring Diagram - NAVI - .....	114	Guide Sound is Not Heard .....	167
Schematic .....	121	Screen is Not Shown .....	168
Wiring Diagram - COMM - .....	122	Audio Screen is Not Shown (NAVI Screen is Shown) .....	169
NAVI Control Unit Harness Connector Terminal Layout .....	125	A/C Screen is Not Shown (NAVI Screen is Shown) .....	169
Terminal and Reference Value for NAVI Control Unit .....	125	TRIP, FUEL ECON and MAINTENANCE Screens Are Not Shown .....	169
Display Control Unit Harness Connector Terminal Layout .....	127		
Terminal and Reference Value for Display Control Unit .....	127		
Display Unit Harness Connector Terminal Layout.	131		
Terminal and Reference Value for Display Unit ....	132		
Terminal and Reference Value for AV Switch .....	133		
Terminal and Reference Value for BCM .....	133		
On Board Self-Diagnosis Function .....	133		
Self-Diagnosis Mode (DCU) .....	134		
Self-Diagnosis Mode (NAVI) .....	136		
Confirmation/Adjustment Mode .....	138		
CAN Diagnostic Support Monitor .....	144		
AV Switch Self-Diagnosis Function .....	145		
Power Supply and Ground Circuit Inspection for NAVI Control Unit .....	145		

Average Fuel Economy Display Is Not Shown ("***" Is Shown) .....	169	A/C Does Not Work .....	172
Distance to Empty Display Is Not Shown ("***" is Shown) .....	170	Navigation System Does Not Activate .....	172
Driving Distance or Average speed Display Is Not Shown ("***" Is Shown) .....	170	Previous NAVI Conditions Are Not Stored .....	172
WARNING DOOR OPEN Screen Is Not Shown ..	171	Previous Vehicle Conditions Are Not Stored .....	172
Unable to Operate All of AV switches (Unable to start Self-Diagnosis) .....	171	Position of Current Location Mark Is Not Correct ..	173
Audio Does Not Work .....	171	Radio Wave from GPS Satellite Is Not Received ..	173
		Driving Test .....	173
		Example of Symptom Judged Not Malfunction .....	174
		Program Loading of NAVI Control Unit .....	182
		Removal and Installation .....	182

A  
B  
C  
D  
E  
F  
G  
H  
I  
J  
L  
M  
N  
O  
P

**AV**

# PRECAUTIONS

< SERVICE INFORMATION >

---

## SERVICE INFORMATION

### PRECAUTIONS

#### Precaution for Supplemental Restraint System (SRS) "AIR BAG" and "SEAT BELT PRE-TENSIONER"

INFOID:000000001721821

The Supplemental Restraint System such as "AIR BAG" and "SEAT BELT PRE-TENSIONER", used along with a front seat belt, helps to reduce the risk or severity of injury to the driver and front passenger for certain types of collision. This system includes seat belt switch inputs and dual stage front air bag modules. The SRS system uses the seat belt switches to determine the front air bag deployment, and may only deploy one front air bag, depending on the severity of a collision and whether the front occupants are belted or unbelted. Information necessary to service the system safely is included in the SRS and SB section of this Service Manual.

**WARNING:**

- To avoid rendering the SRS inoperative, which could increase the risk of personal injury or death in the event of a collision which would result in air bag inflation, all maintenance must be performed by an authorized NISSAN/INFINITI dealer.
- Improper maintenance, including incorrect removal and installation of the SRS, can lead to personal injury caused by unintentional activation of the system. For removal of Spiral Cable and Air Bag Module, see the SRS section.
- Do not use electrical test equipment on any circuit related to the SRS unless instructed to in this Service Manual. SRS wiring harnesses can be identified by yellow and/or orange harnesses or harness connectors.

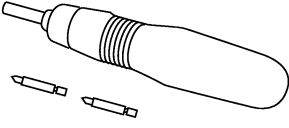
# PREPARATION

< SERVICE INFORMATION >

## PREPARATION

### Commercial Service Tool

INFOID:000000001721822

Tool name	Description
<p data-bbox="162 352 272 378">Power tool</p>  <p data-bbox="852 571 922 588">PBIC0191E</p>	<p data-bbox="1015 352 1263 378">Loosening bolts and nuts</p>

A

B

C

D

E

F

G

H

I

J

AV

L

M

N

O

P

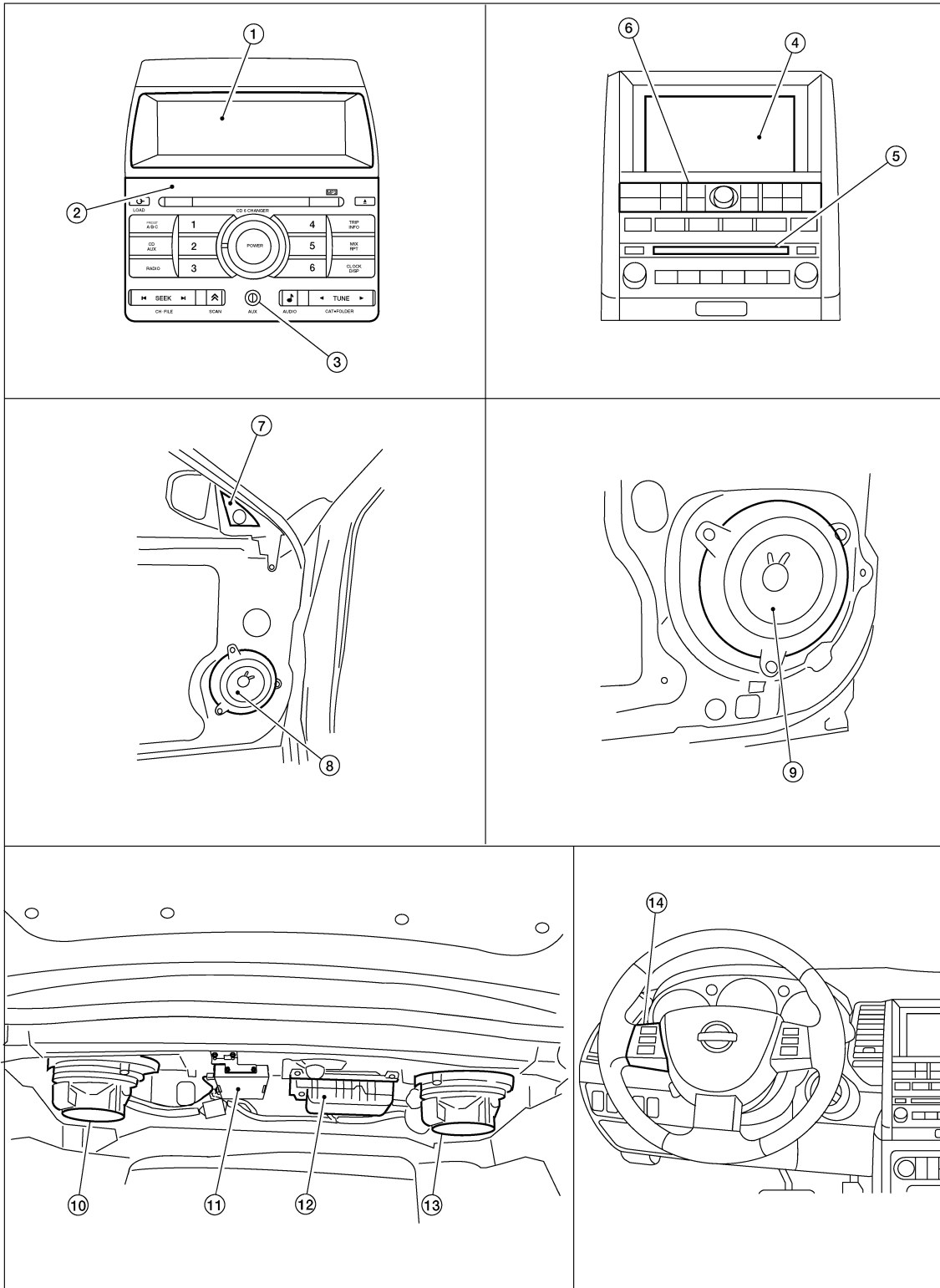
# AUDIO

< SERVICE INFORMATION >

## AUDIO

### Component Parts and Harness Connector Location

INFOID:000000001721823



WKIA5343E

- |                                    |  |                               |
|------------------------------------|--|-------------------------------|
| 1. Display unit (without NAVI) M93 | 2. Audio unit (without NAVI) M51, M53, | 3. Aux in jack M203<br>M109   |
| 4. Display unit (with NAVI) M93    | 5. Audio unit (with NAVI) M43, M44,    | 6. AV switch M98<br>M45, M109 |

# AUDIO

## < SERVICE INFORMATION >

- |   |   |   |
|---|---|---|
| 7. Tweeter LH D12, RH D112                                  | 8. Front door speaker LH D3, RH D103                  | 9. Rear door speaker LH D202, RH D302   |
| 10. Subwoofer LH B26<br>(view of underside of parcel shelf) | 11. Satellite radio tuner (if equipped)<br>B137, B139 | 12. BOSE speaker amp. (with BOSE) B127, B128<br>Subwoofer amp. (with base system)<br>B133 |
| 13. Subwoofer RH B126                                       | 14. Steering wheel audio control switches             |   |

A  
B  
C

## System Description

INFOID:000000001721824

### BASE SYSTEM

Refer to Owner's Manual for audio system operating instructions.

Power is supplied at all times

- through 20A fuse (No. 31, located in the fuse and fusible link box)
- to audio unit terminal 19.

With the ignition switch in the ACC or ON position, power is supplied

- through 10A fuse [No. 6, located in the fuse block (J/B)]
- to audio unit terminal 7 and
- through 10A fuse [No. 4, located in the fuse block (J/B)]
- to subwoofer amp. terminal 9.

Ground is supplied through the case of the audio unit.

Ground is also supplied

- to subwoofer amp. terminal 7
- through body grounds B117 and B132.

Then audio signals are supplied

- through audio unit terminals 2, 3, 4, 5, 11, 12, 13 and 14
- to terminals + and - of front door speaker LH and RH
- to terminals + and - of tweeter LH and RH.
- to terminals + and - of rear door speaker LH and RH
- to terminals 1, 2, 3 and 4 of subwoofer amp. and
- through subwoofer amp. terminals 5, 6, 8 and 10
- to terminals + and - of subwoofer LH and RH.

Steering Wheel Audio Control Switches

When one of steering wheel audio control switches is pushed, the resistance in steering switch circuit changes depending on which button is pushed.

D  
E  
F  
G  
H  
I  
J

AV

### BOSE® SYSTEM

Refer to Owner's Manual for audio system operating instructions.

Power is supplied at all times

- through 20A fuse (No. 31, located in the fuse and fusible link box)
- to audio unit terminal 19 and

- to BOSE speaker amp. terminal 1
- through 15A fuse [No. 18, located in the fuse block (J/B)]
- to subwoofer RH terminal 6 and
- through 10A fuse [No. 3, located in the fuse block (J/B)]
- to AV switch terminal 1 (with NAVI) and
- to display control unit terminal 1 (with NAVI).

With the ignition switch in the ACC or ON position, power is supplied

- through 10A fuse [No. 6, located in the fuse block (J/B)]
- to audio unit terminal 7 (without NAVI) or 10 (with NAVI) and
- to AV switch terminal 2 (with NAVI) and
- to display control unit terminal 2 (with NAVI).

Ground is supplied through the case of the audio unit.

Ground is also supplied

- to BOSE speaker amp. terminal 17 and
- to subwoofer RH terminal 5
- through body grounds B117 and B132 and
- to AV switch terminal 5 and
- to display unit terminal 1 (with NAVI) and

L  
M  
N  
O  
P

# AUDIO

## < SERVICE INFORMATION >

---

- to display control unit terminal 3 (with NAVI)
- through body grounds M57, M61 and M79.

Then audio signals are supplied

- through audio unit terminals 2, 3, 4, 5, 11, 12, 13, and 14
- to BOSE speaker amp. terminals 23, 24, 25, 26, 27, 28, 29 and 30.

Audio signals are amplified by the BOSE speaker amp.

The amplified audio signals are supplied

- through BOSE speaker amp. terminals 2, 9,10,11,12, 13, 14, 15, 16 and 18
- to terminals + and - of front door speaker LH and RH and
- to terminals + and - of tweeter LH and RH and
- to terminals + and - of rear door speaker LH and RH and
- to terminals + and - of subwoofer LH and
- to terminals 1 and 2 of subwoofer RH.

### Steering Wheel Audio Control Switches

When one of steering wheel audio control switches is pushed, the resistance in steering switch circuit changes depending on which button is pushed.

### Satellite Radio Tuner (Pre-wiring)

The satellite radio tuner pre-wiring allows connection of a satellite radio tuner.

Power is supplied at all times

- through 20A fuse (No. 31, located in the fuse and fusible link box)
- to satellite radio tuner pre-wiring terminal 32.

With the ignition switch in the ACC or ON position, power is supplied

- through 10A fuse [No. 6, located in the fuse block (J/B)]
- to satellite radio tuner pre-wiring terminal 36.

Ground is supplied through the case of the satellite radio tuner.

Then audio signals are supplied

- through satellite radio tuner pre-wiring terminals 21, 22, 23 and 24
- to audio unit terminals 41, 42, 43 and 44.

### Satellite Radio Tuner (Factory Installed)

Power is supplied at all times

- through 20A fuse (No. 31, located in the fuse and fusible link box)
- to satellite radio tuner terminal 32.

With the ignition switch in the ACC or ON position, power is supplied

- through 10A fuse [No. 6, located in the fuse block (J/B)]
- to satellite radio tuner terminal 36.

Radio signals are supplied from the satellite radio antenna to satellite radio tuner terminal 37.

Audio signals are supplied

- through satellite radio tuner terminals 21, 22, 23 and 24
- to terminals 41, 42, 43 and 44 of audio unit.

Ground is supplied through the case of the satellite radio tuner.

### SPEED SENSITIVE VOLUME SYSTEM (WITH BOSE SYSTEM)

Volume level of this system goes up and down automatically in proportion to the vehicle speed. The control level can be selected by the customer. Refer to Owner's Manual for operating instructions.



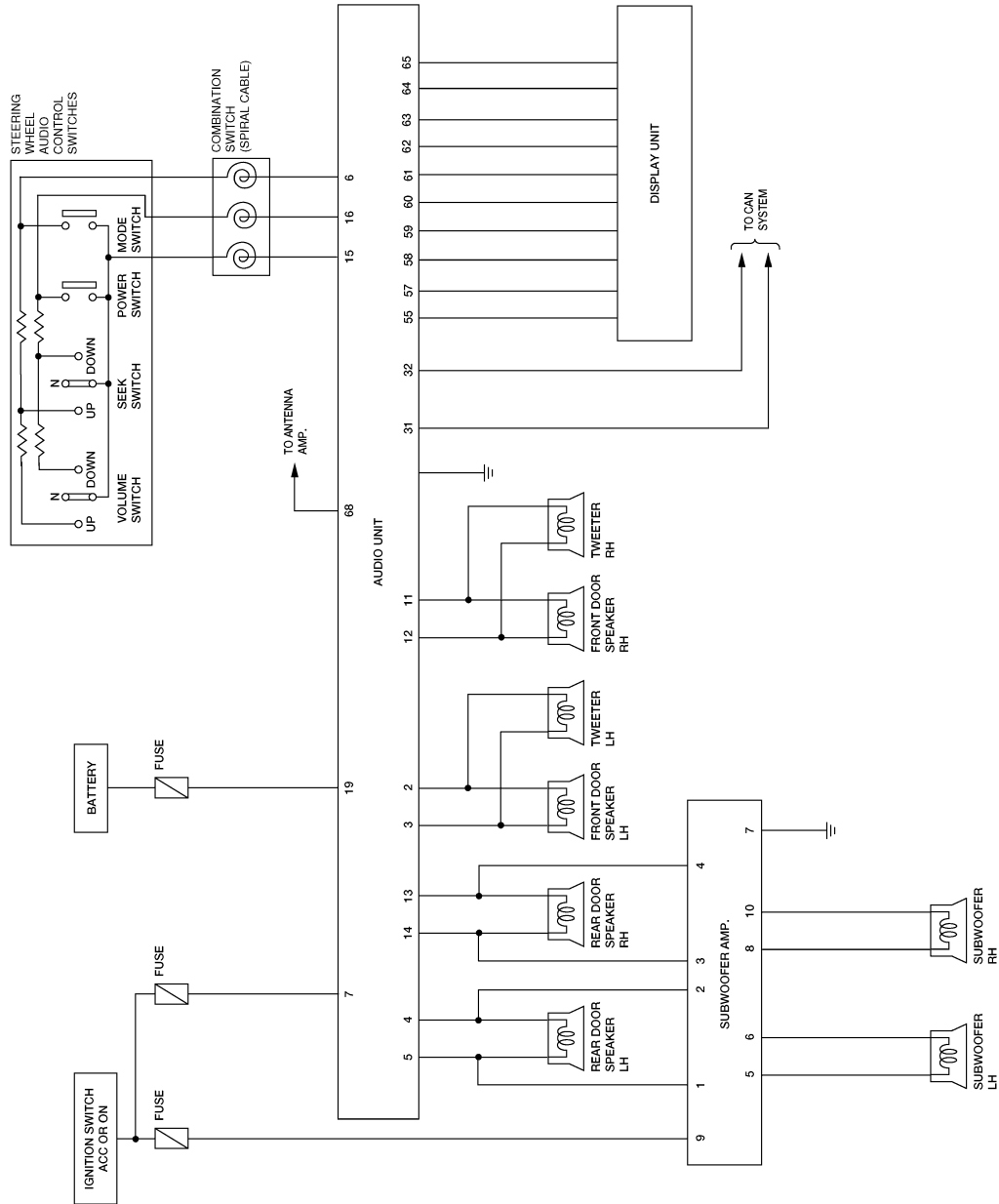
# AUDIO

< SERVICE INFORMATION >

## Schematic

INFOID:000000001721825

### BASE SYSTEM



A  
B  
C  
D  
E  
F  
G  
H  
I  
J  
K  
L  
M  
N  
O  
P

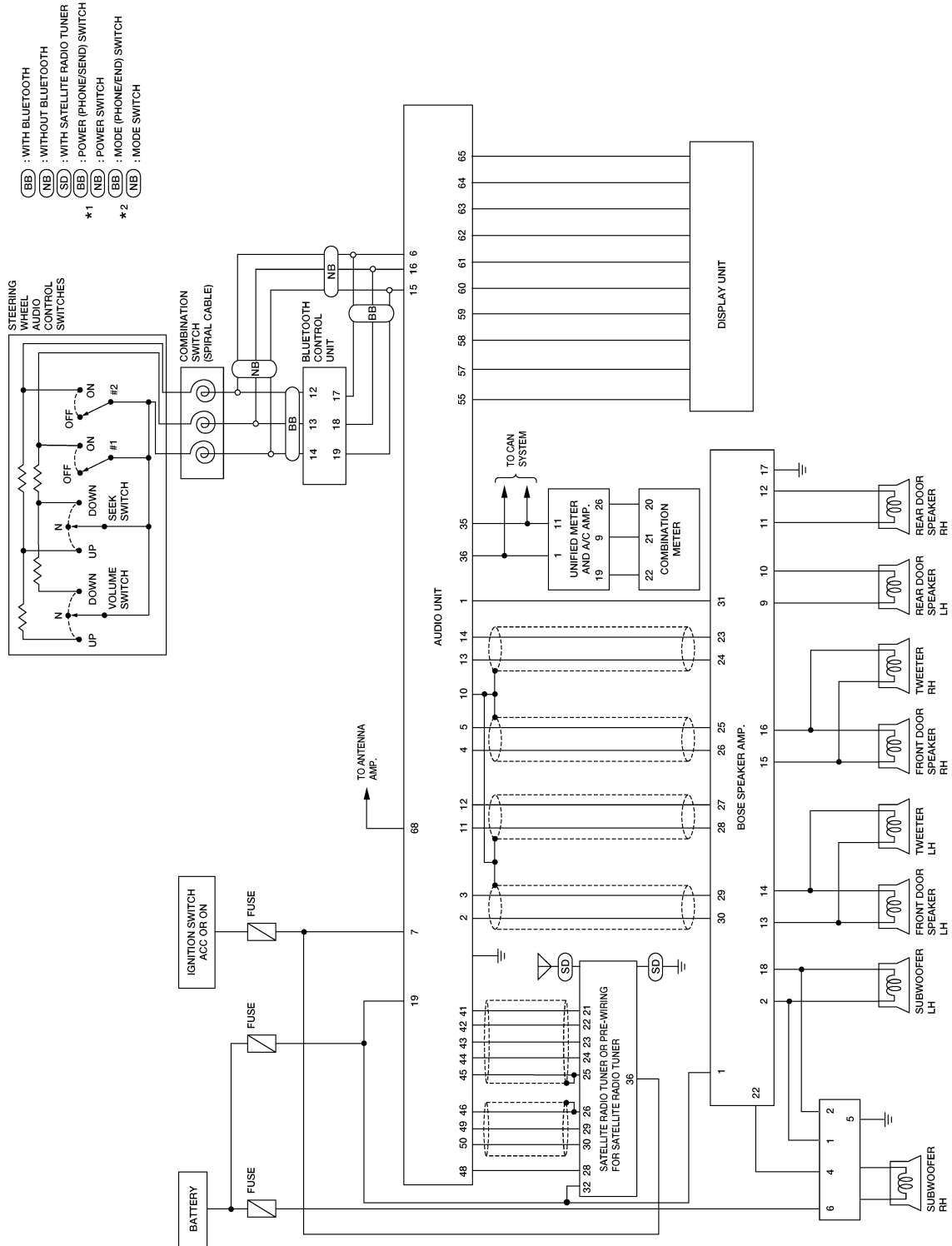
AV

WKWA4895E

# AUDIO

## < SERVICE INFORMATION >

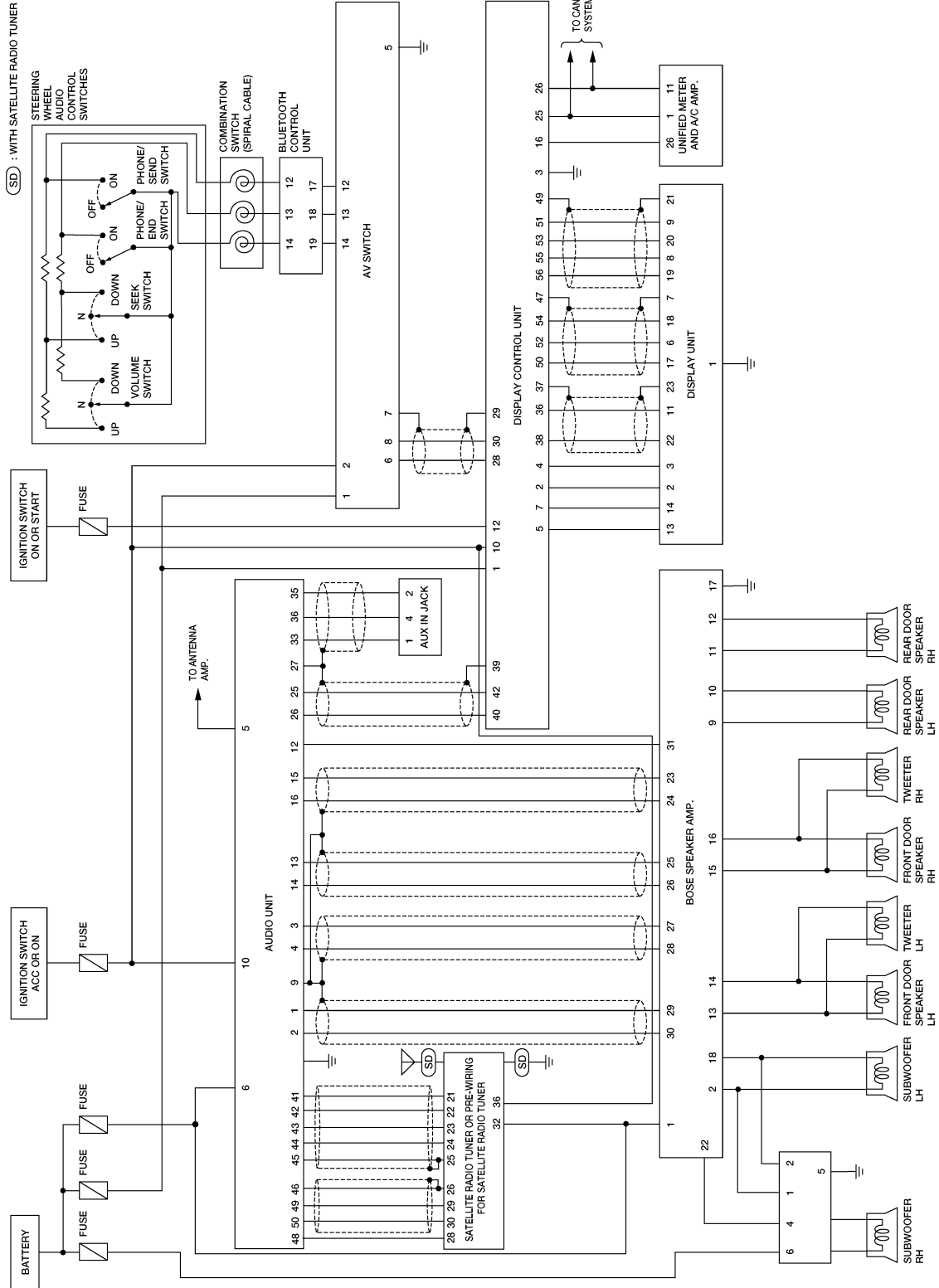
### BOSE SYSTEM (WITHOUT NAVI)



WKWA4900E

# AUDIO

## < SERVICE INFORMATION > BOSE SYSTEM (WITH NAVI)



WKWA4910E

A  
B  
C  
D  
E  
F  
G  
H  
I  
J  
K  
L  
M  
N  
O  
P

AV

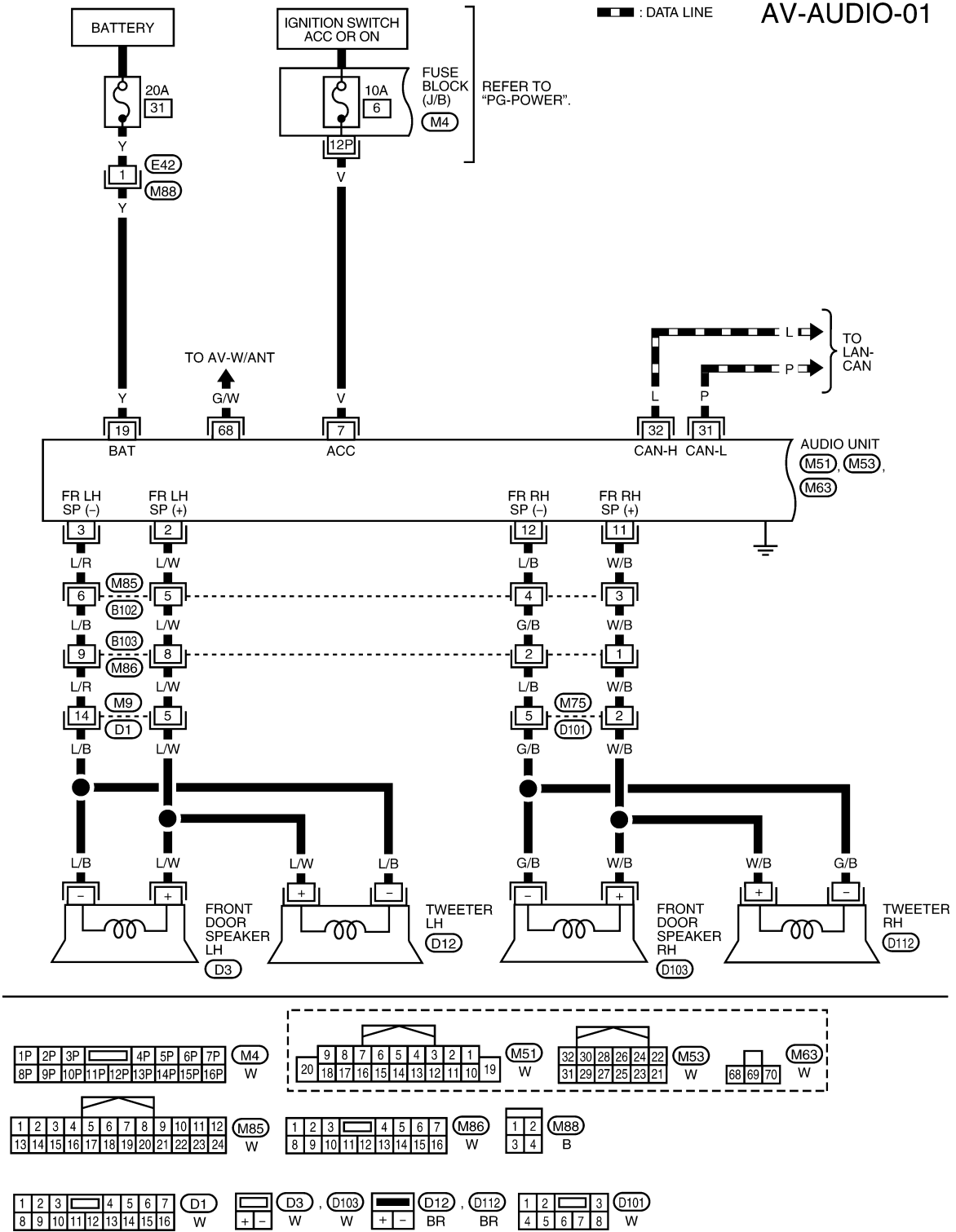
# AUDIO

< SERVICE INFORMATION >

## Wiring Diagram - AUDIO -

INFOID:000000001721826

### BASE SYSTEM

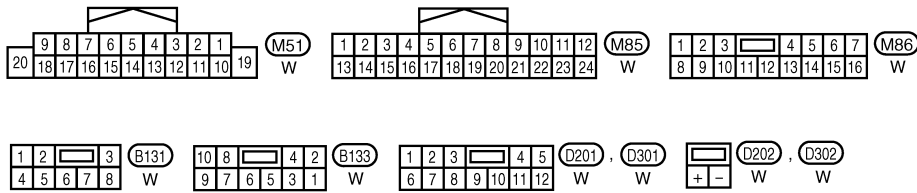
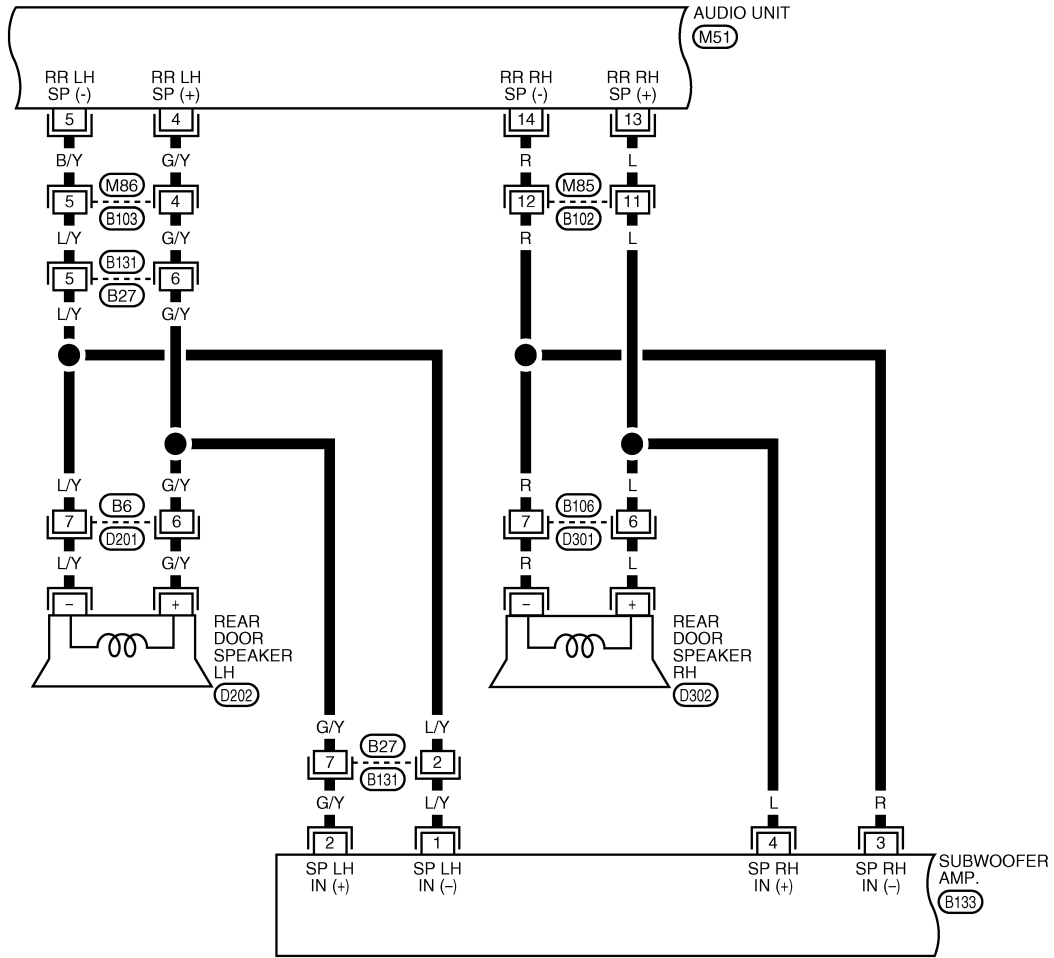


ALNWA0165GE

# AUDIO

< SERVICE INFORMATION >

AV-AUDIO-02

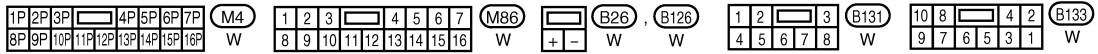
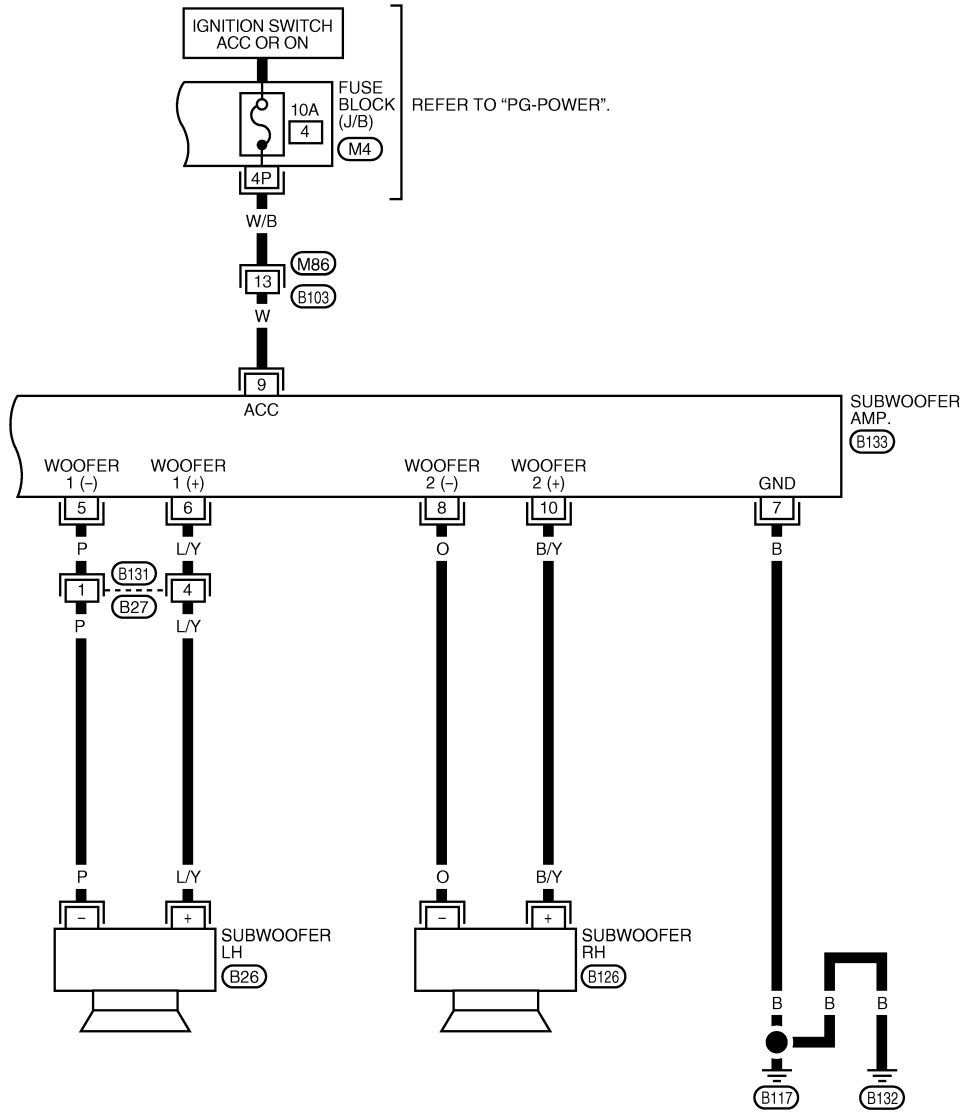


WKWA4897E

# AUDIO

< SERVICE INFORMATION >

AV-AUDIO-03

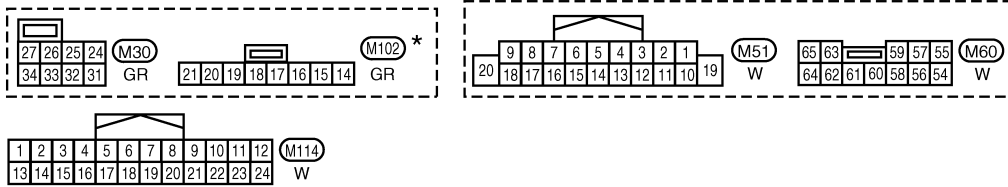
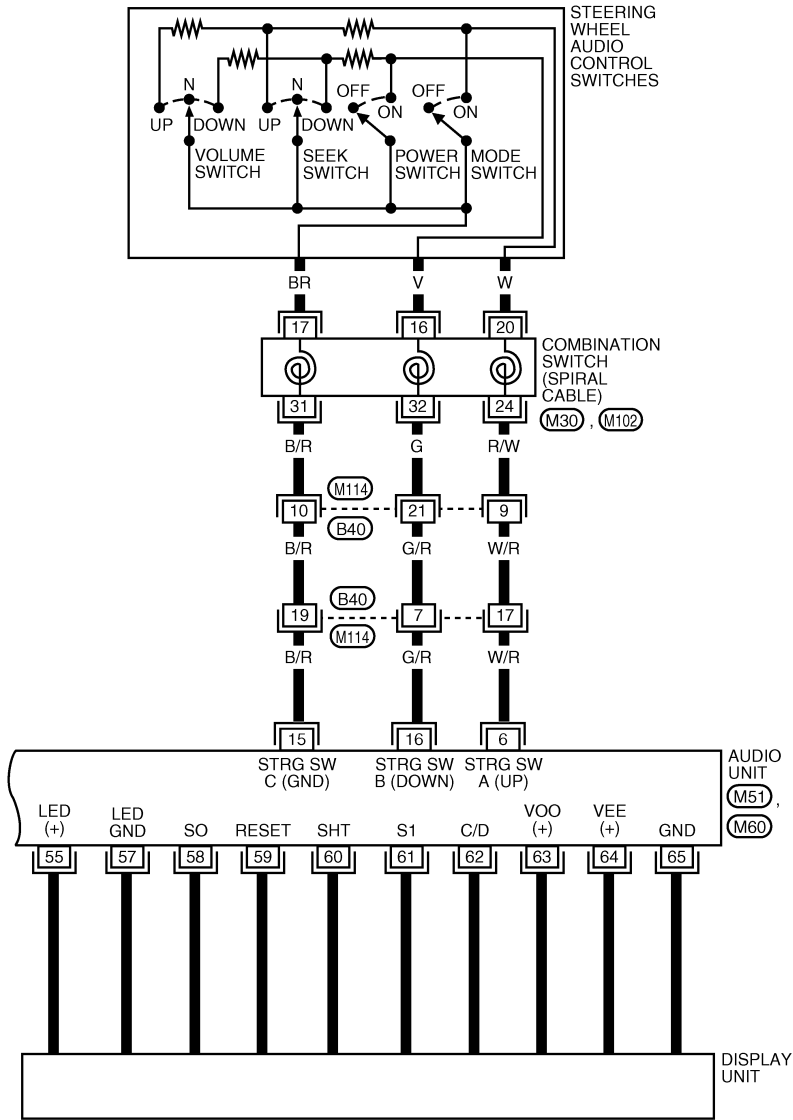


WKWA4898E

# AUDIO

< SERVICE INFORMATION >

AV-AUDIO-04



\*: THIS CONNECTOR IS NOT SHOWN IN "HARNESS LAYOUT" OF PG SECTION.

WKWA4899E

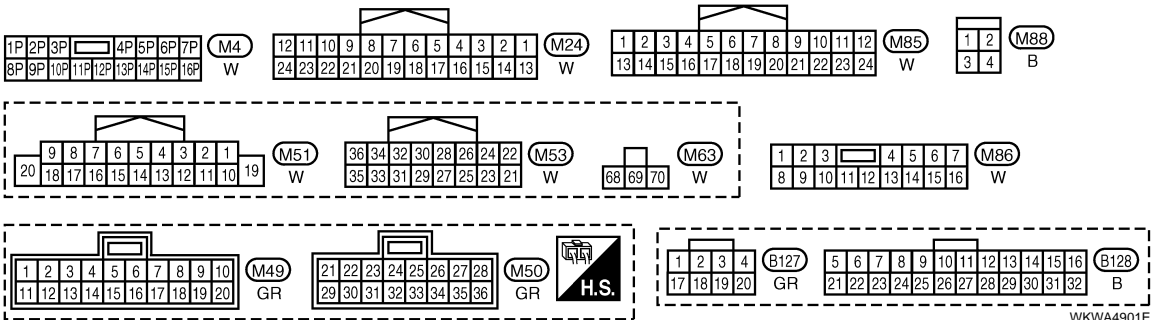
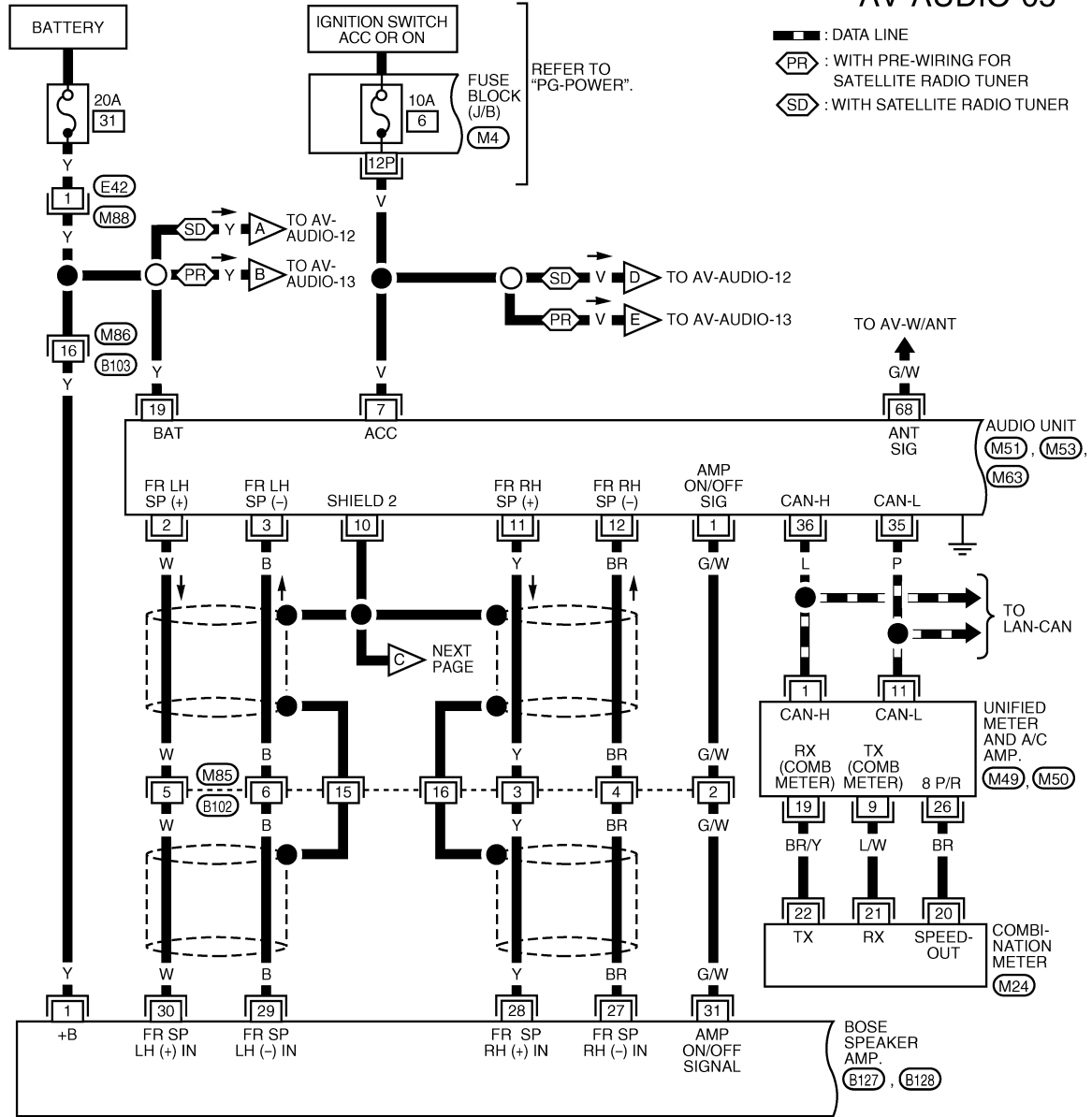
A  
B  
C  
D  
E  
F  
G  
H  
I  
J  
AV  
L  
M  
N  
O  
P

# AUDIO

< SERVICE INFORMATION >

## BOSE SYSTEM (WITHOUT NAVI)

### AV-AUDIO-05

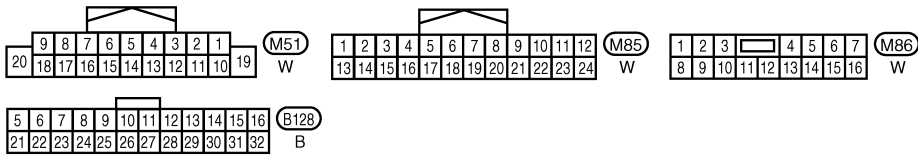
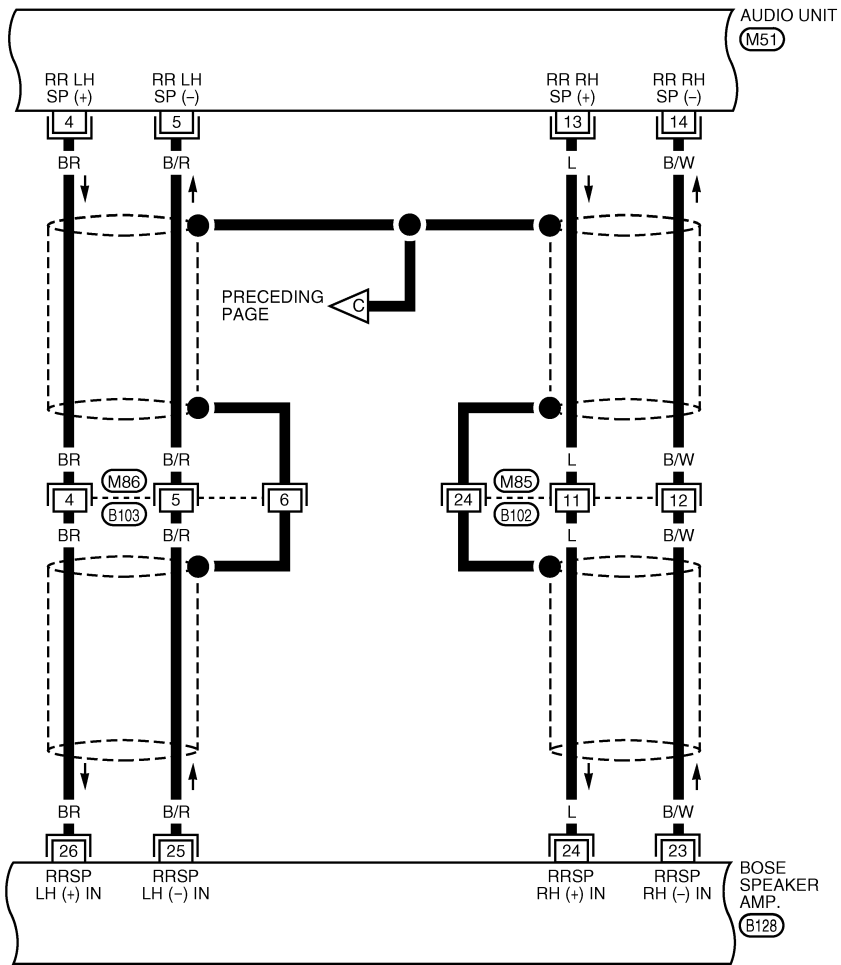




# AUDIO

< SERVICE INFORMATION >

AV-AUDIO-06



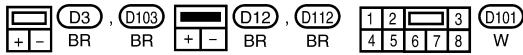
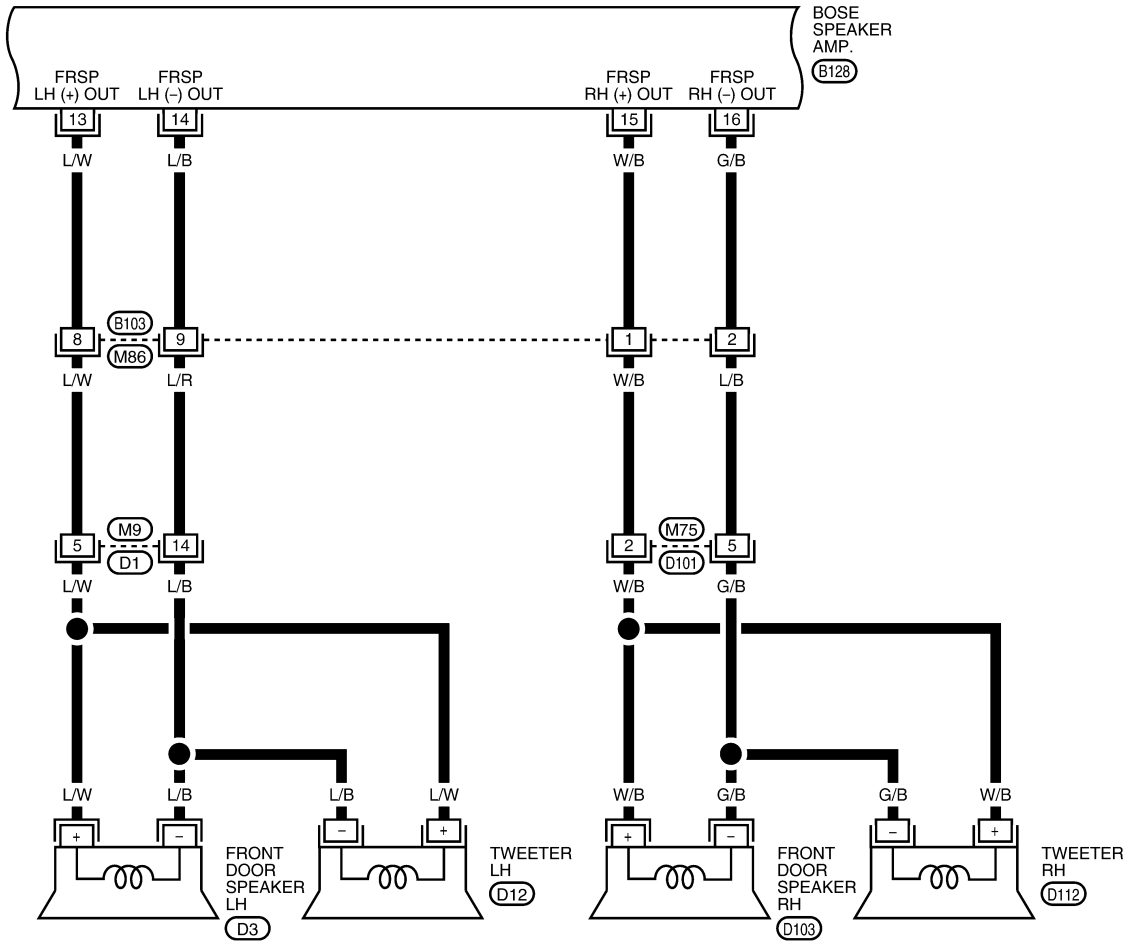
WKWA4902E

A  
B  
C  
D  
E  
F  
G  
H  
I  
J  
AV  
L  
M  
N  
O  
P

# AUDIO

< SERVICE INFORMATION >

AV-AUDIO-07

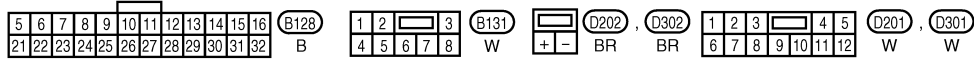
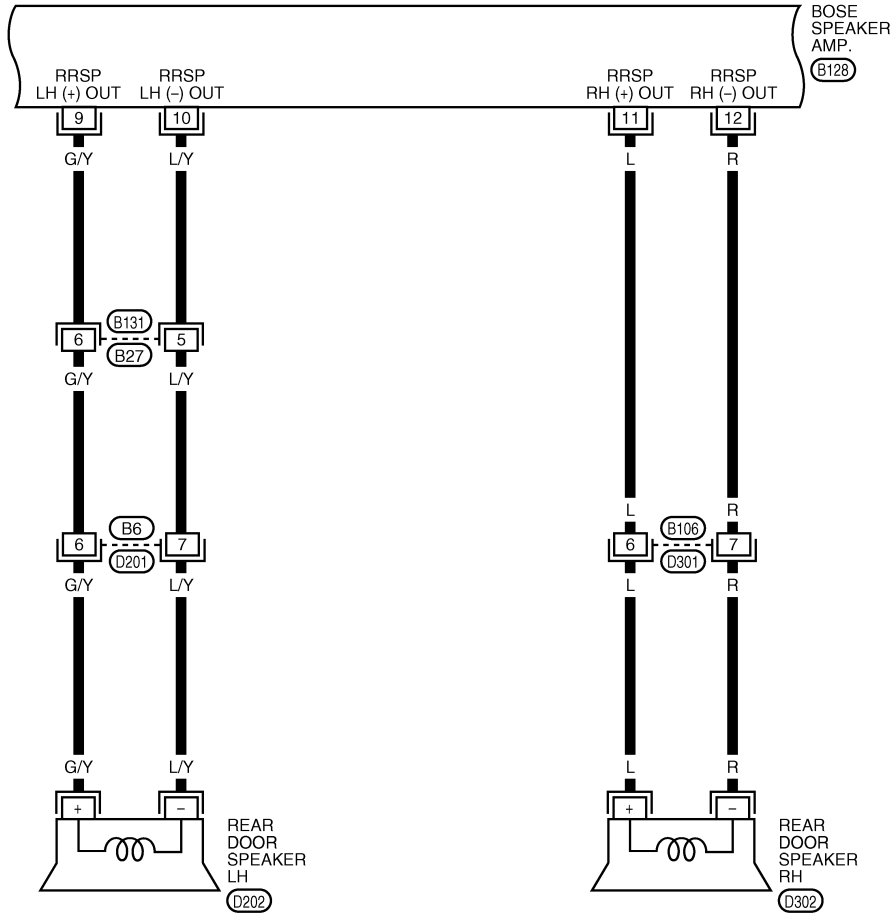


WKWA4903E

# AUDIO

< SERVICE INFORMATION >

AV-AUDIO-08

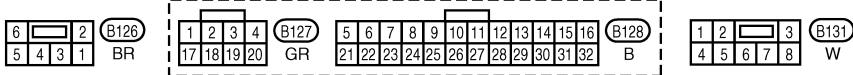
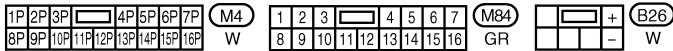
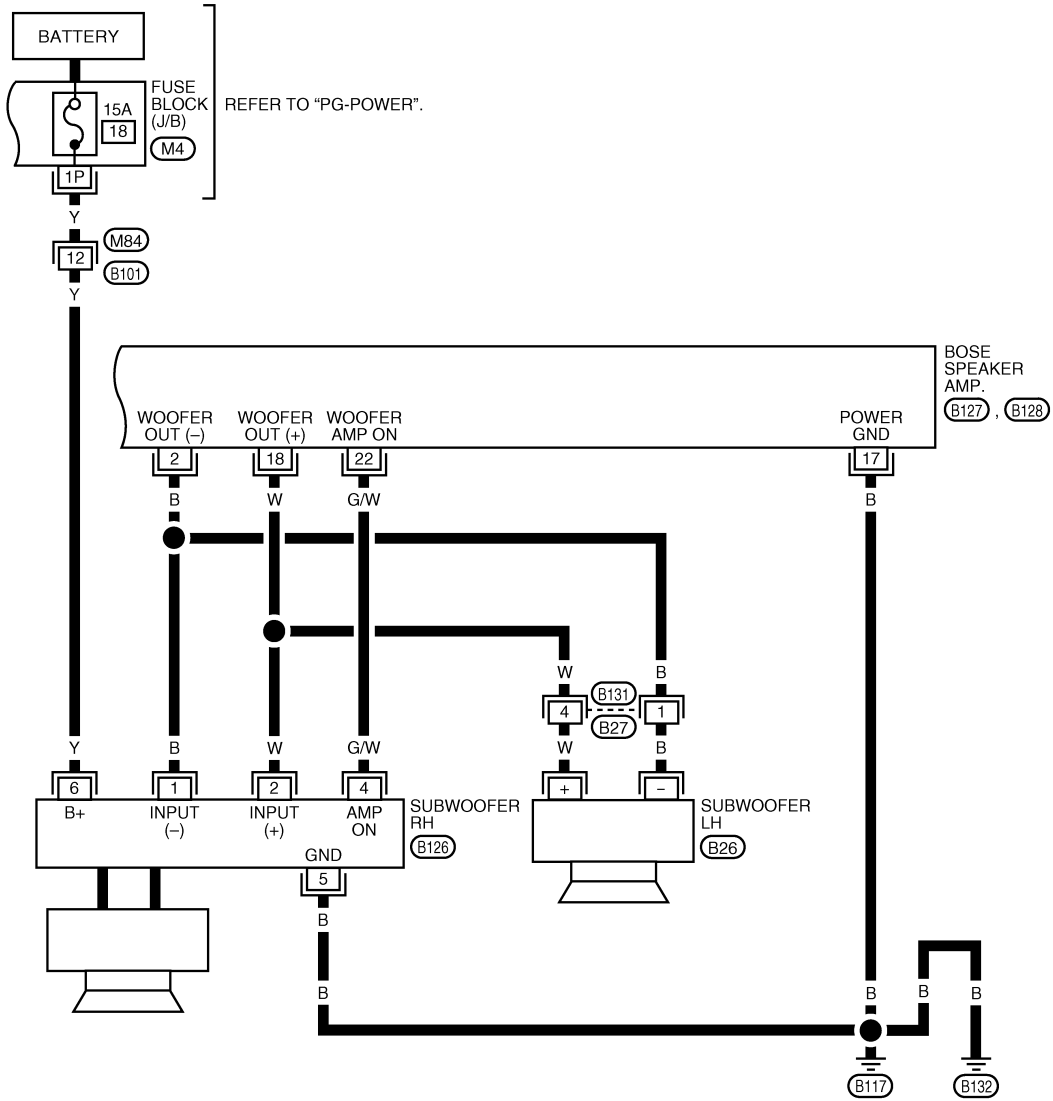


WKWA4904E

# AUDIO

< SERVICE INFORMATION >

AV-AUDIO-09



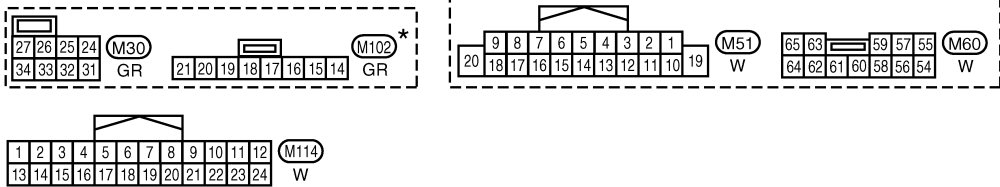
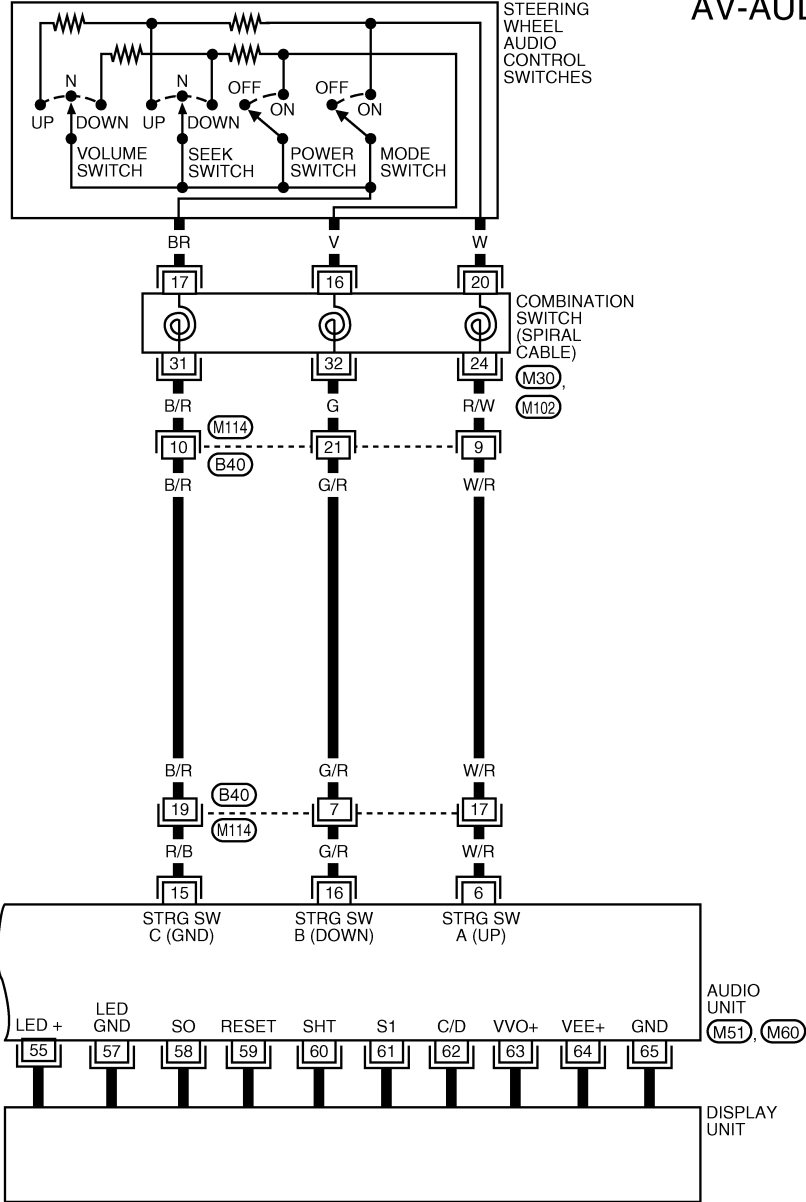
WKWA4905E

# AUDIO

< SERVICE INFORMATION >

WITHOUT BLUETOOTH

AV-AUDIO-10



\*: THIS CONNECTOR IS NOT SHOWN IN "HARNESS LAYOUT" OF PG SECTION.

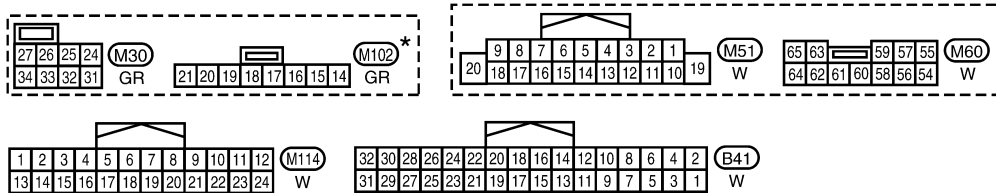
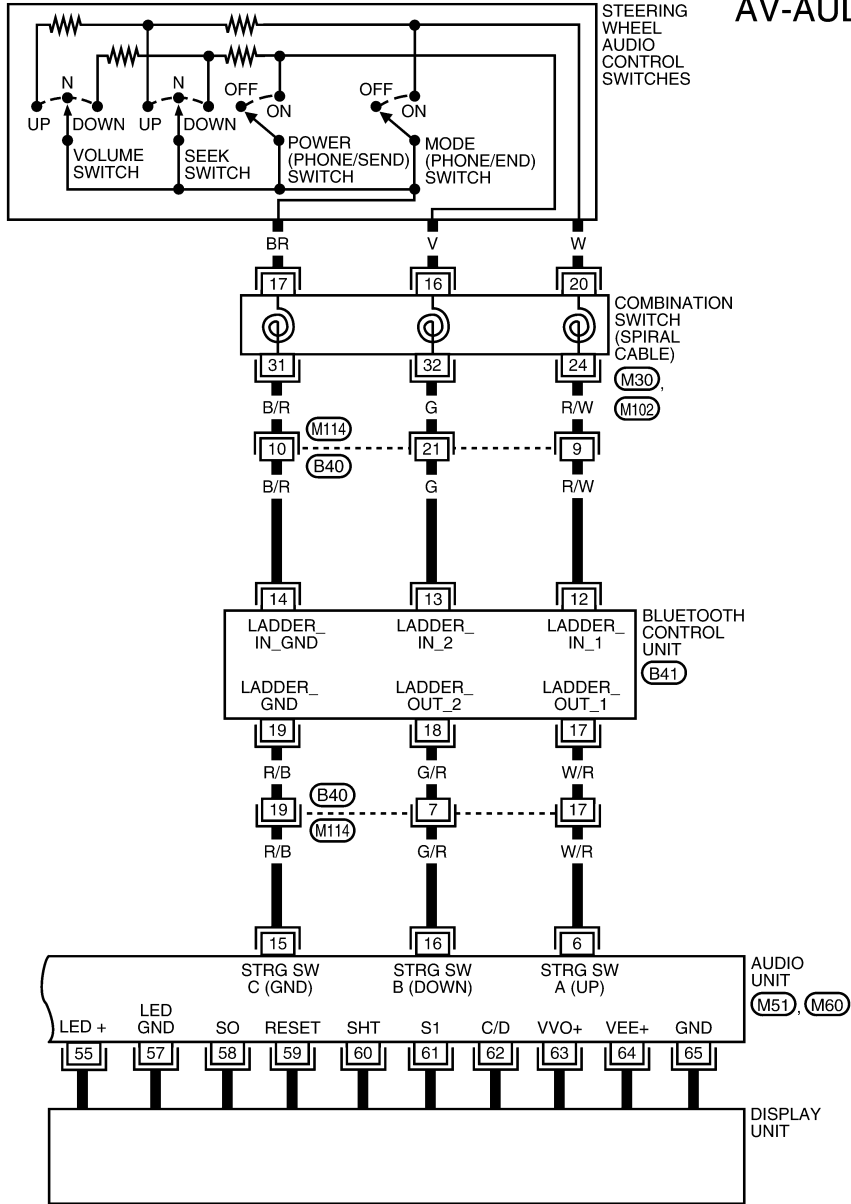
WKWA4907E

# AUDIO

< SERVICE INFORMATION >

WITH BLUETOOTH

AV-AUDIO-11



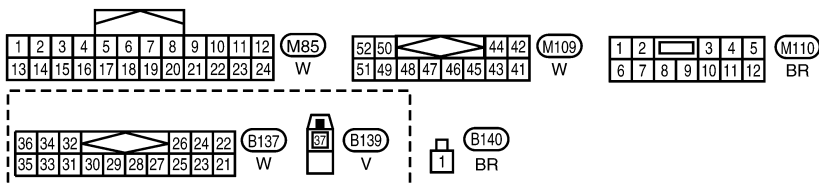
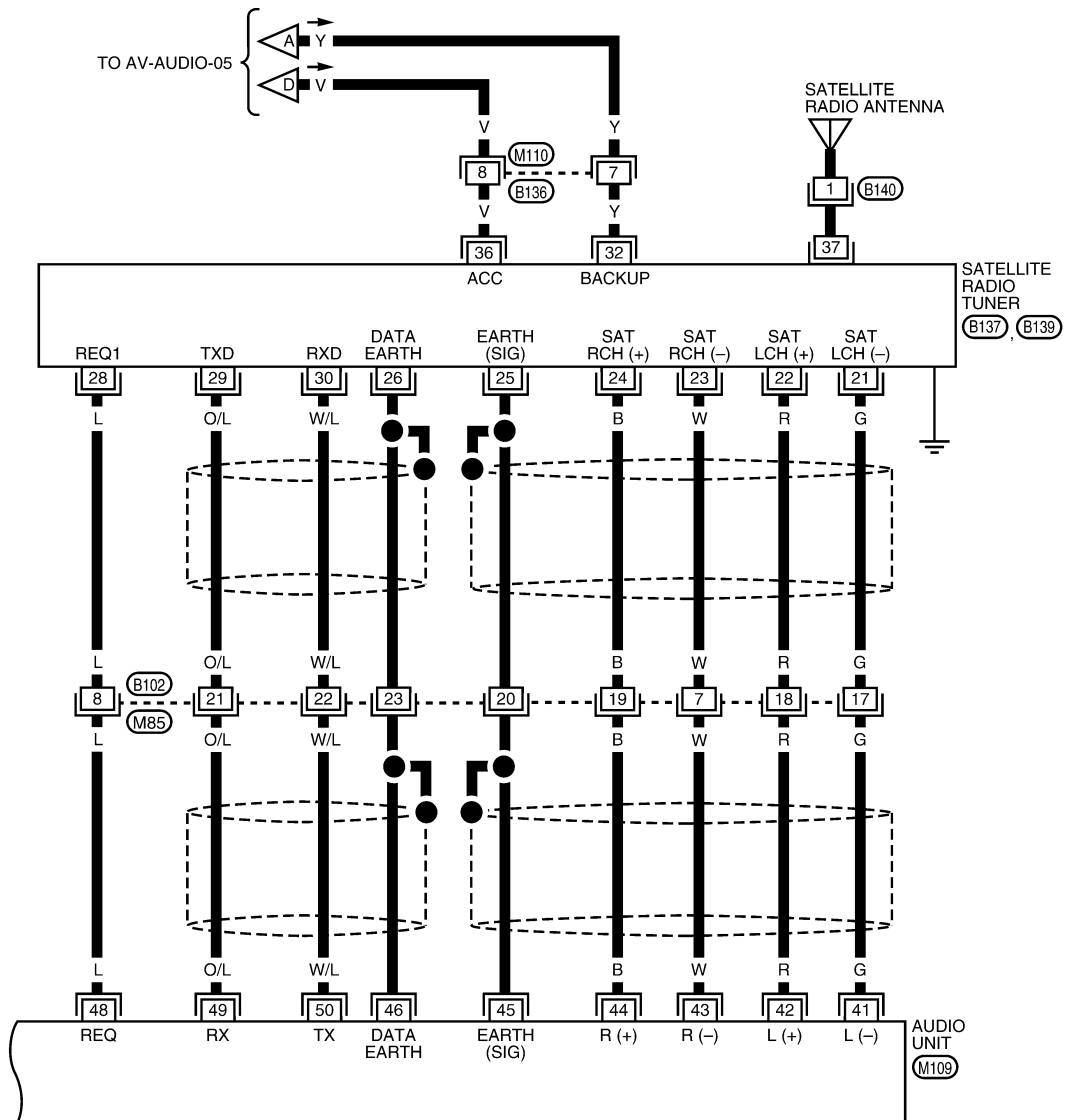
\* : THIS CONNECTOR IS NOT SHOWN IN "HARNESS LAYOUT" OF PG SECTION.

WKWA5084E

# AUDIO

< SERVICE INFORMATION >

AV-AUDIO-12

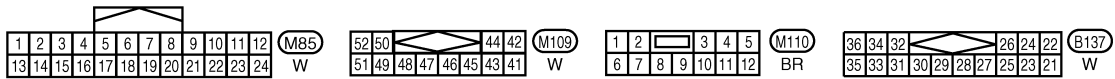
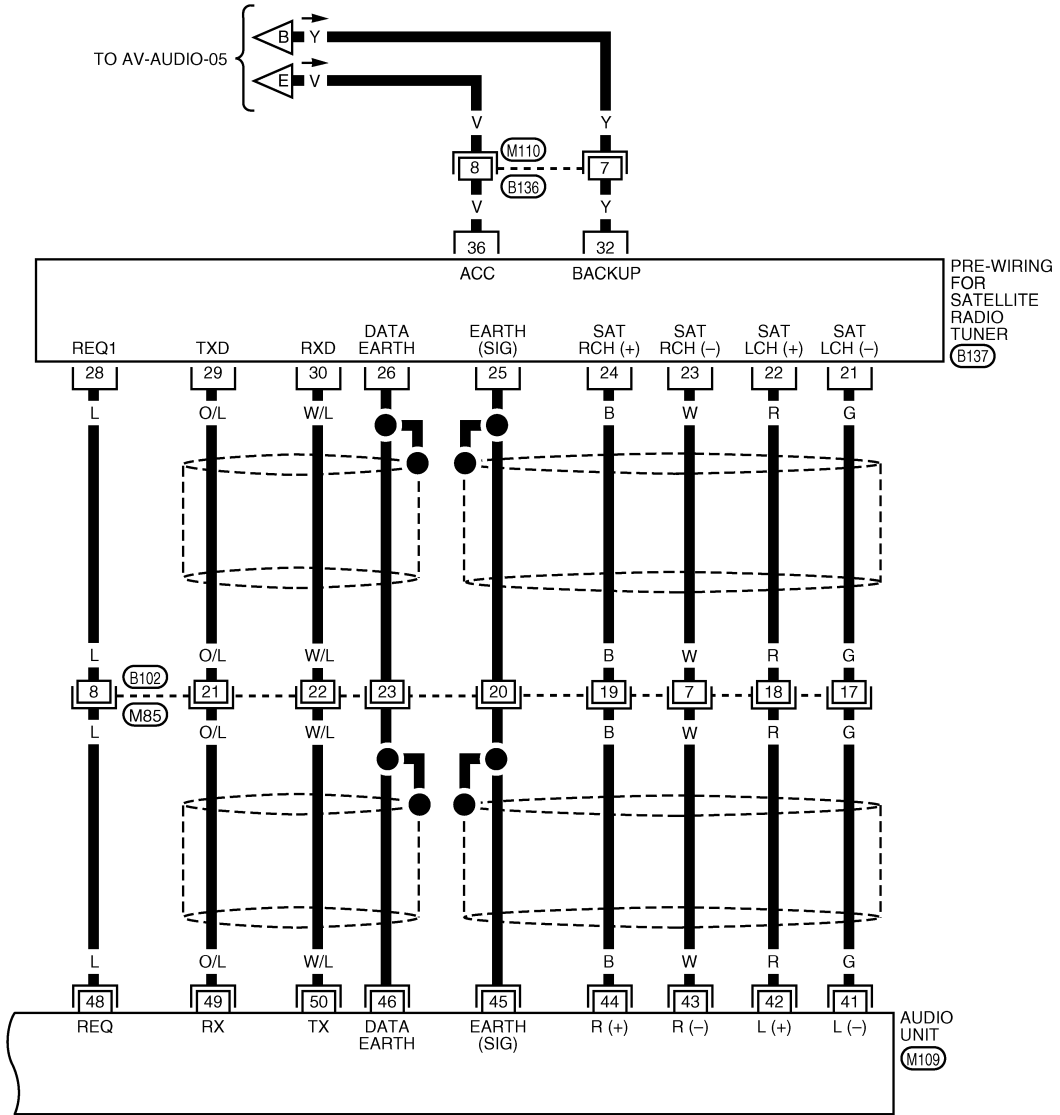


ALNWA0166GE

# AUDIO

< SERVICE INFORMATION >

AV-AUDIO-13



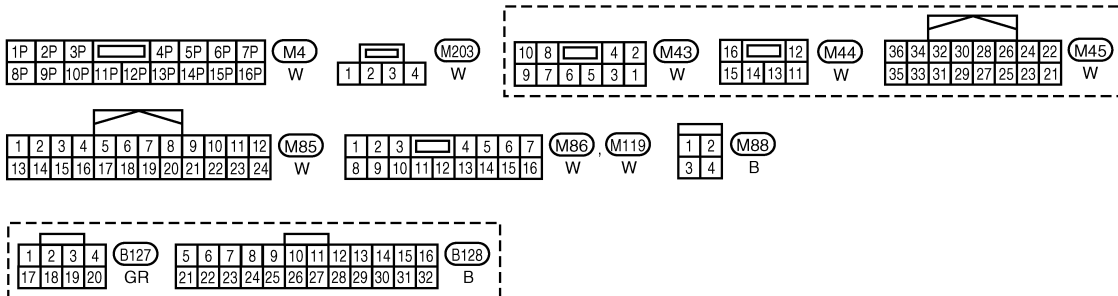
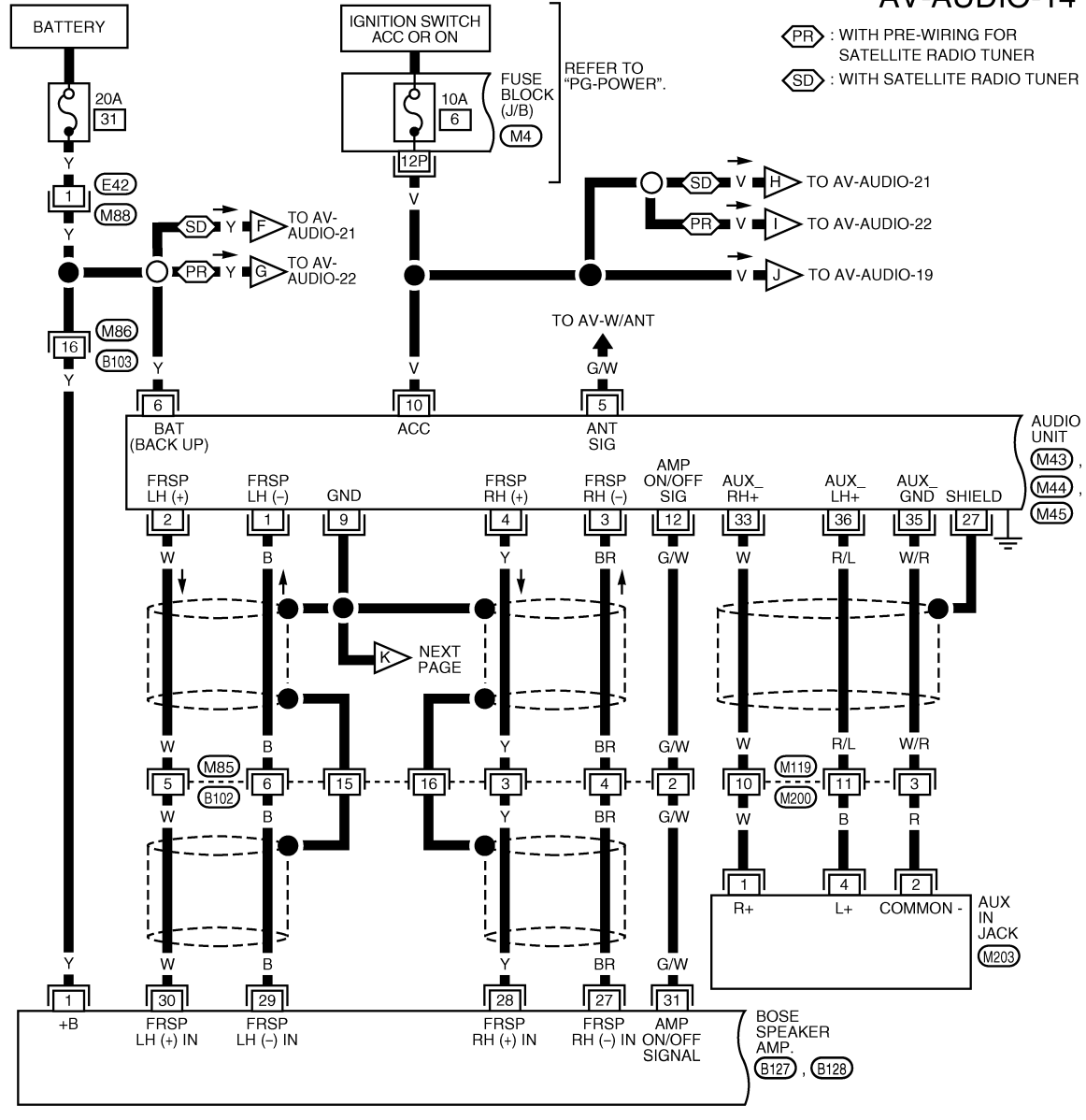
WKWA4909E



# AUDIO

## < SERVICE INFORMATION > BOSE SYSTEM (WITH NAVI)

### AV-AUDIO-14

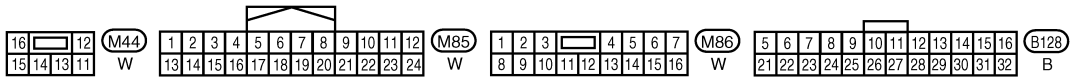
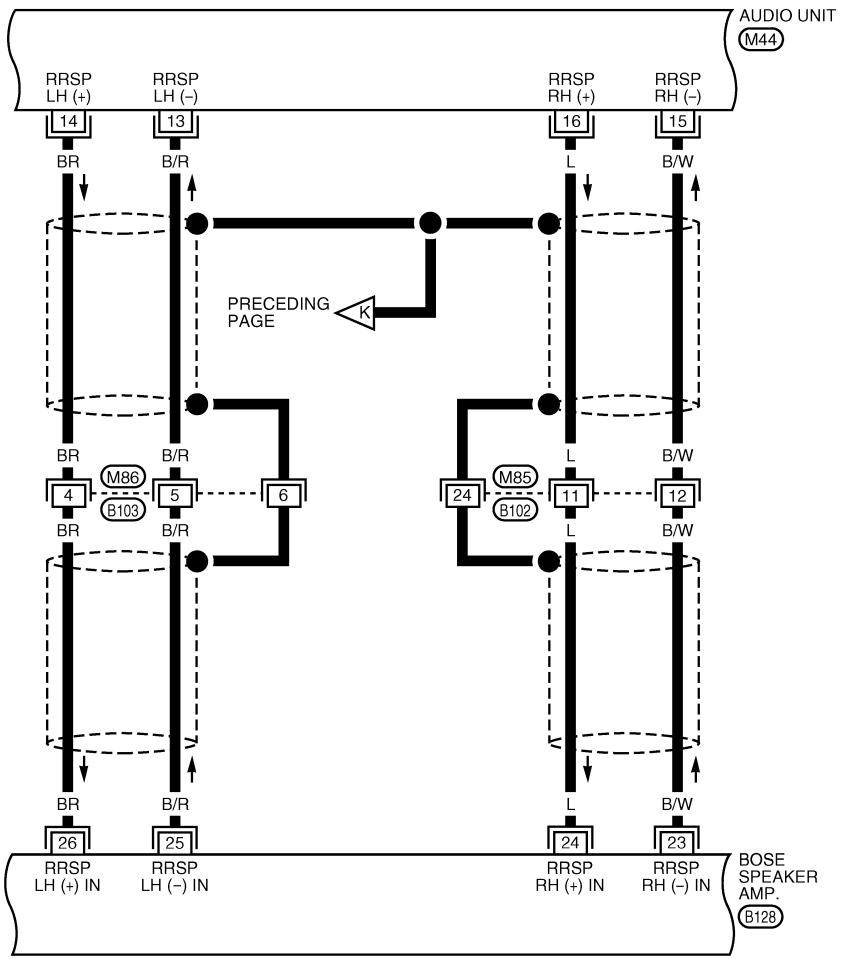


WKWA4911E

# AUDIO

< SERVICE INFORMATION >

AV-AUDIO-15

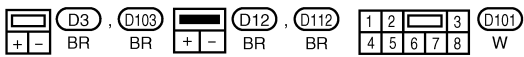
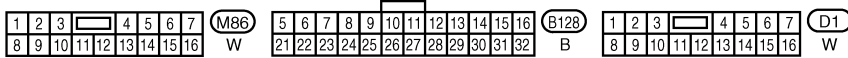
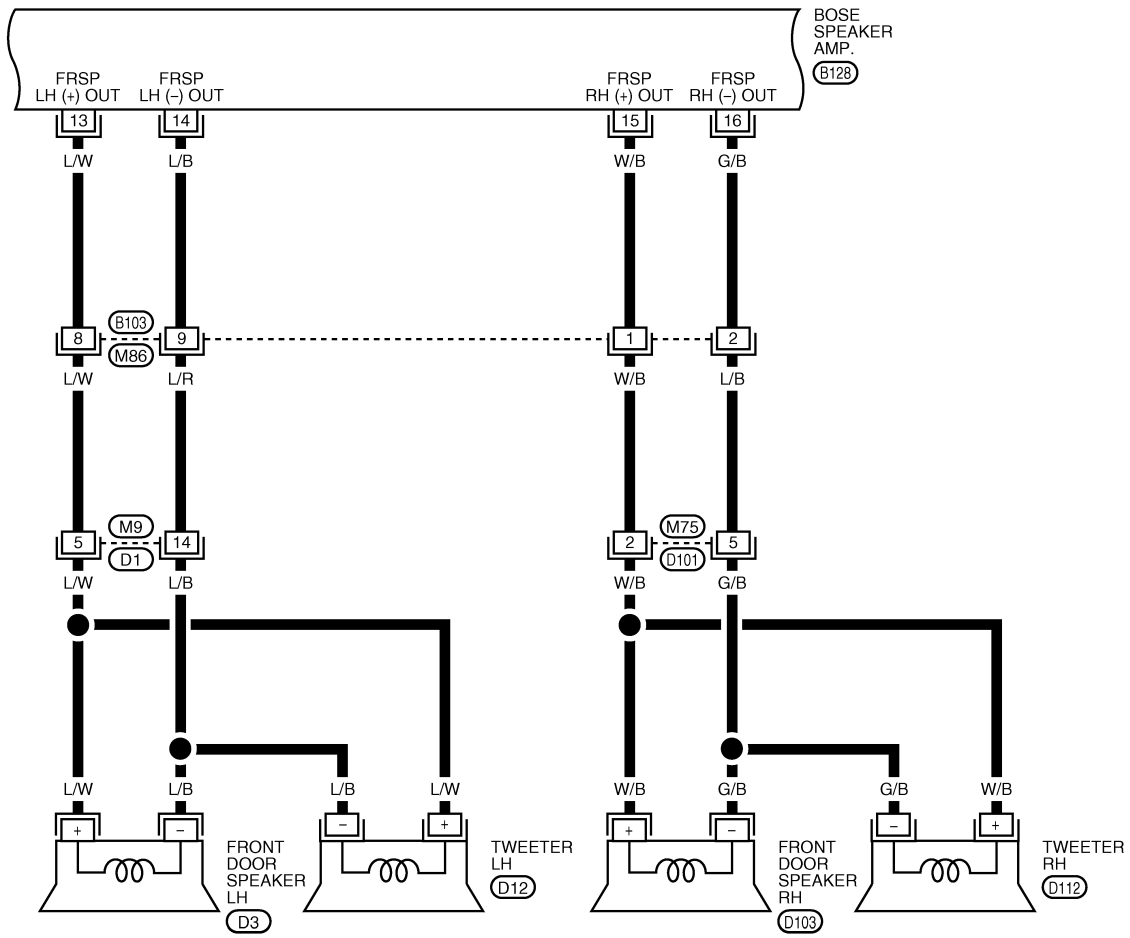


WKWA4912E

# AUDIO

< SERVICE INFORMATION >

AV-AUDIO-16

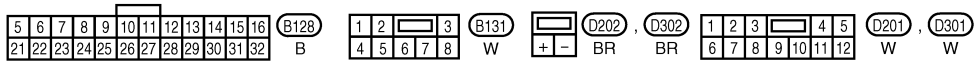
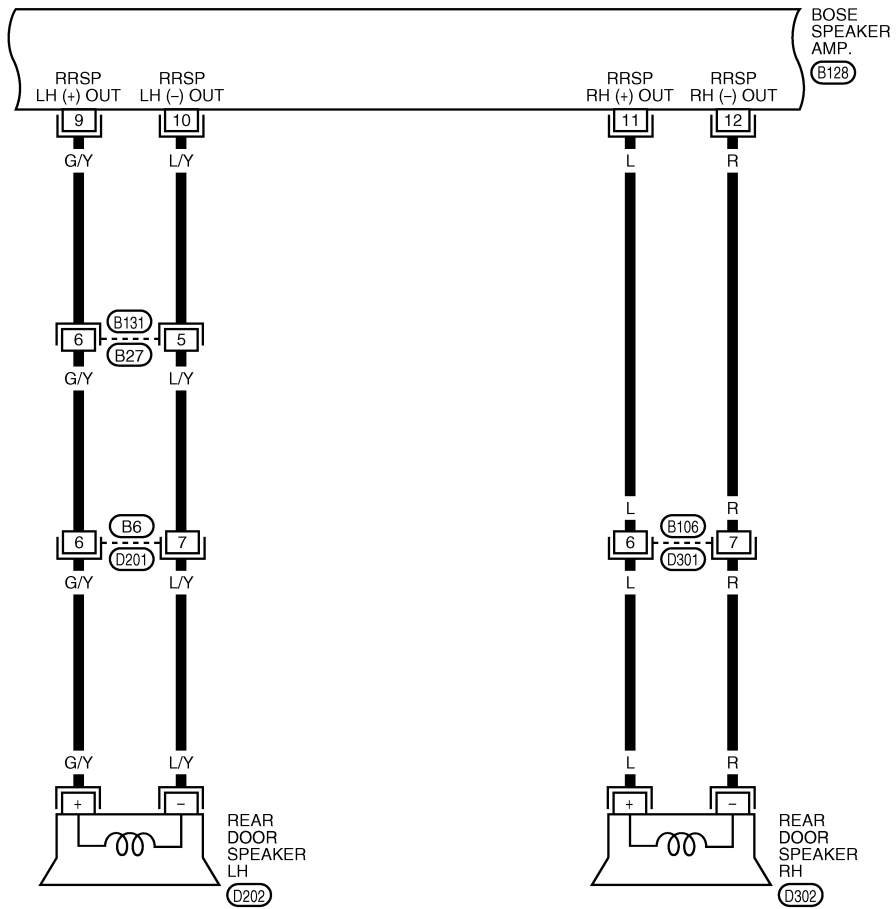


WKWA4913E

# AUDIO

< SERVICE INFORMATION >

AV-AUDIO-17

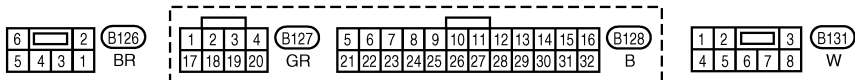
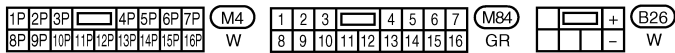
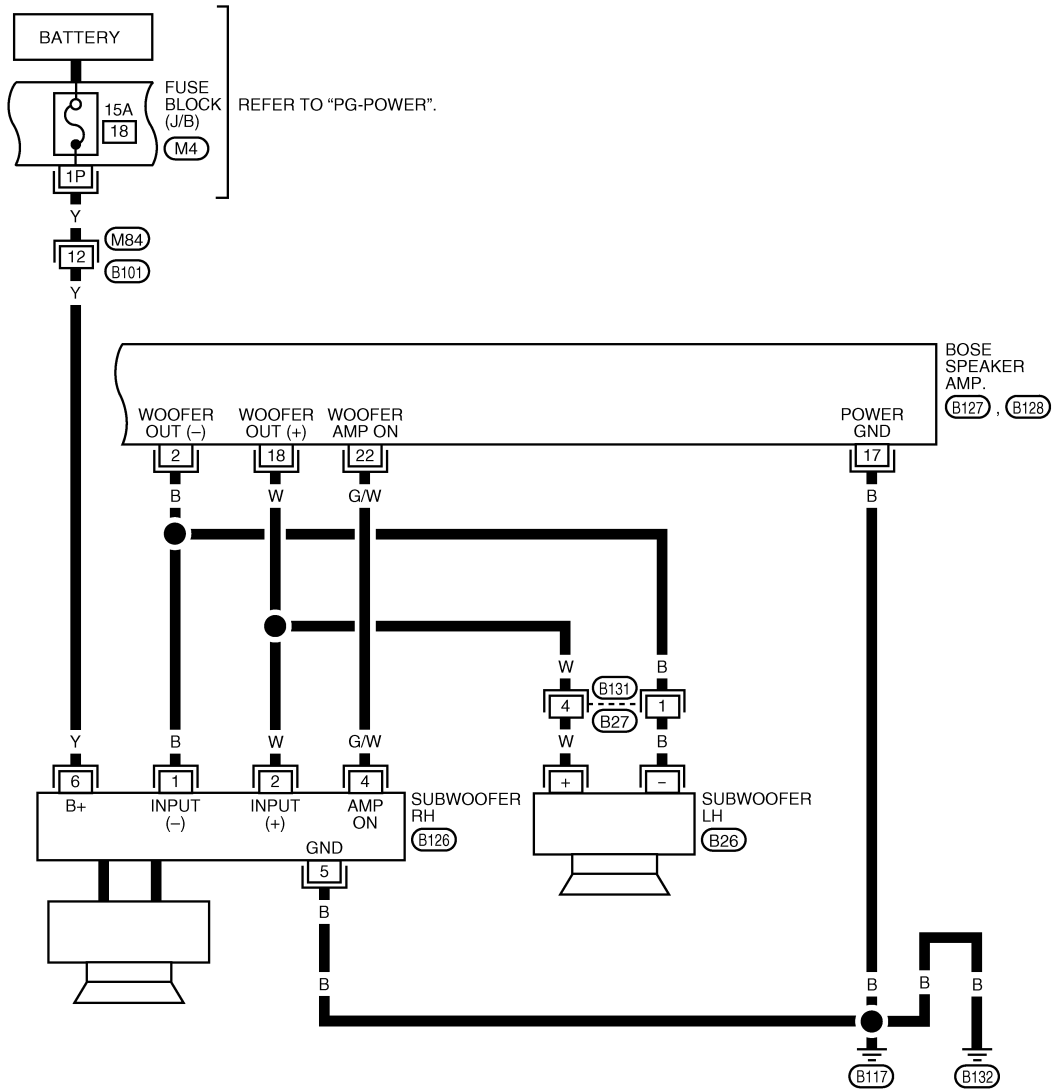


WKWA4914E

# AUDIO

< SERVICE INFORMATION >

AV-AUDIO-18

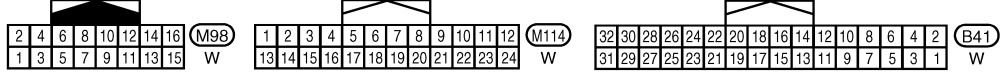
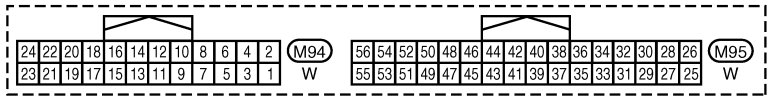
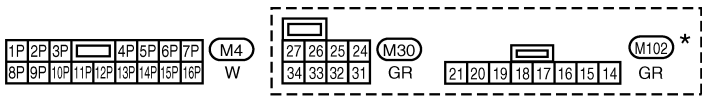
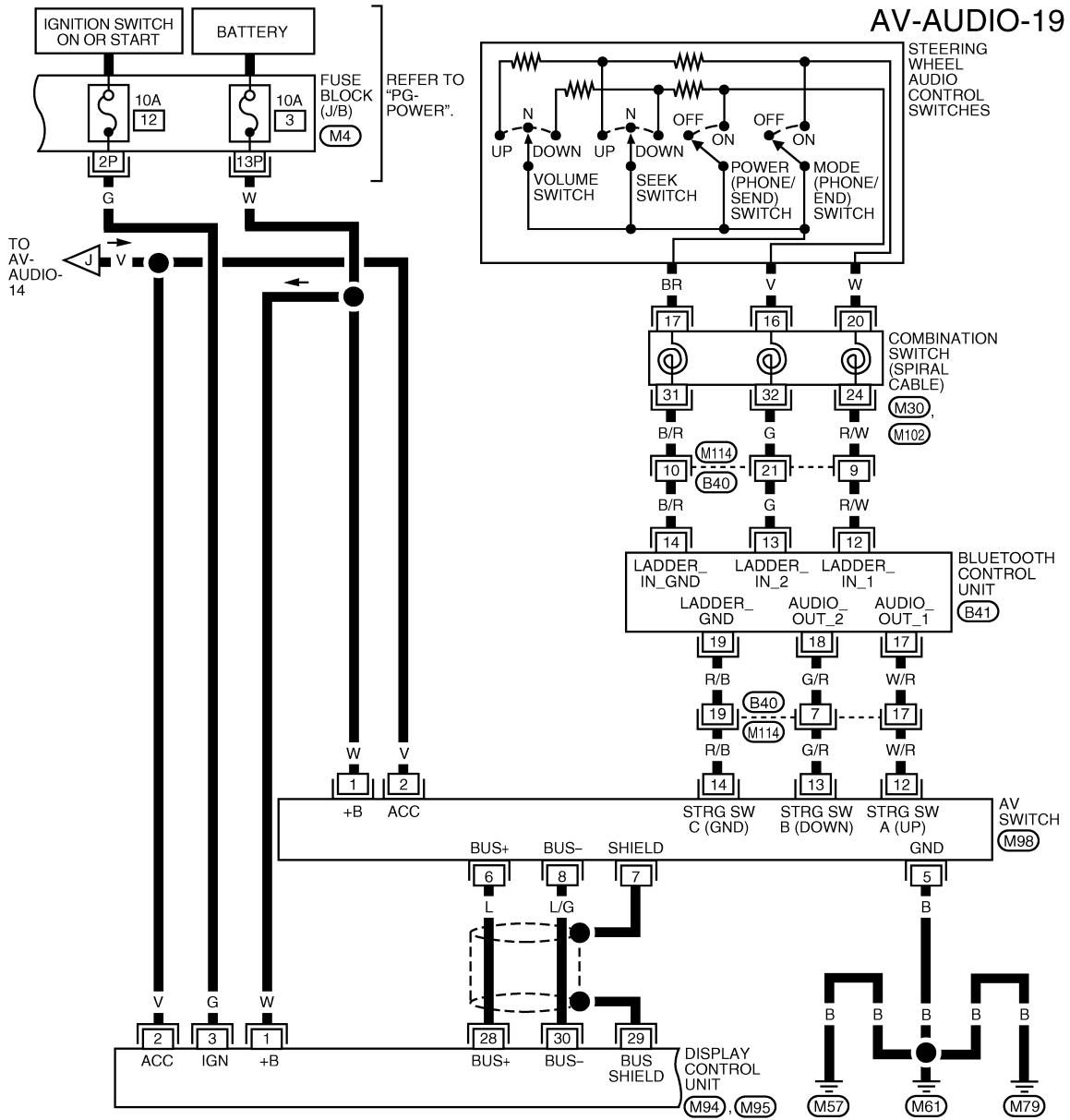


WKWA4915E

A  
B  
C  
D  
E  
F  
G  
H  
I  
J  
AV  
L  
M  
N  
O  
P

# AUDIO

## < SERVICE INFORMATION >



\* : THIS CONNECTOR IS NOT SHOWN IN "HARNESS LAYOUT" OF PG SECTION.

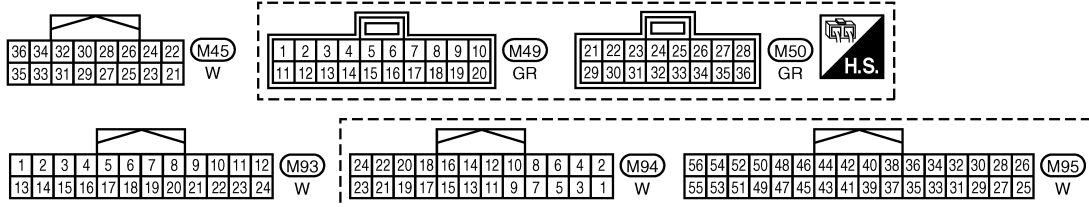
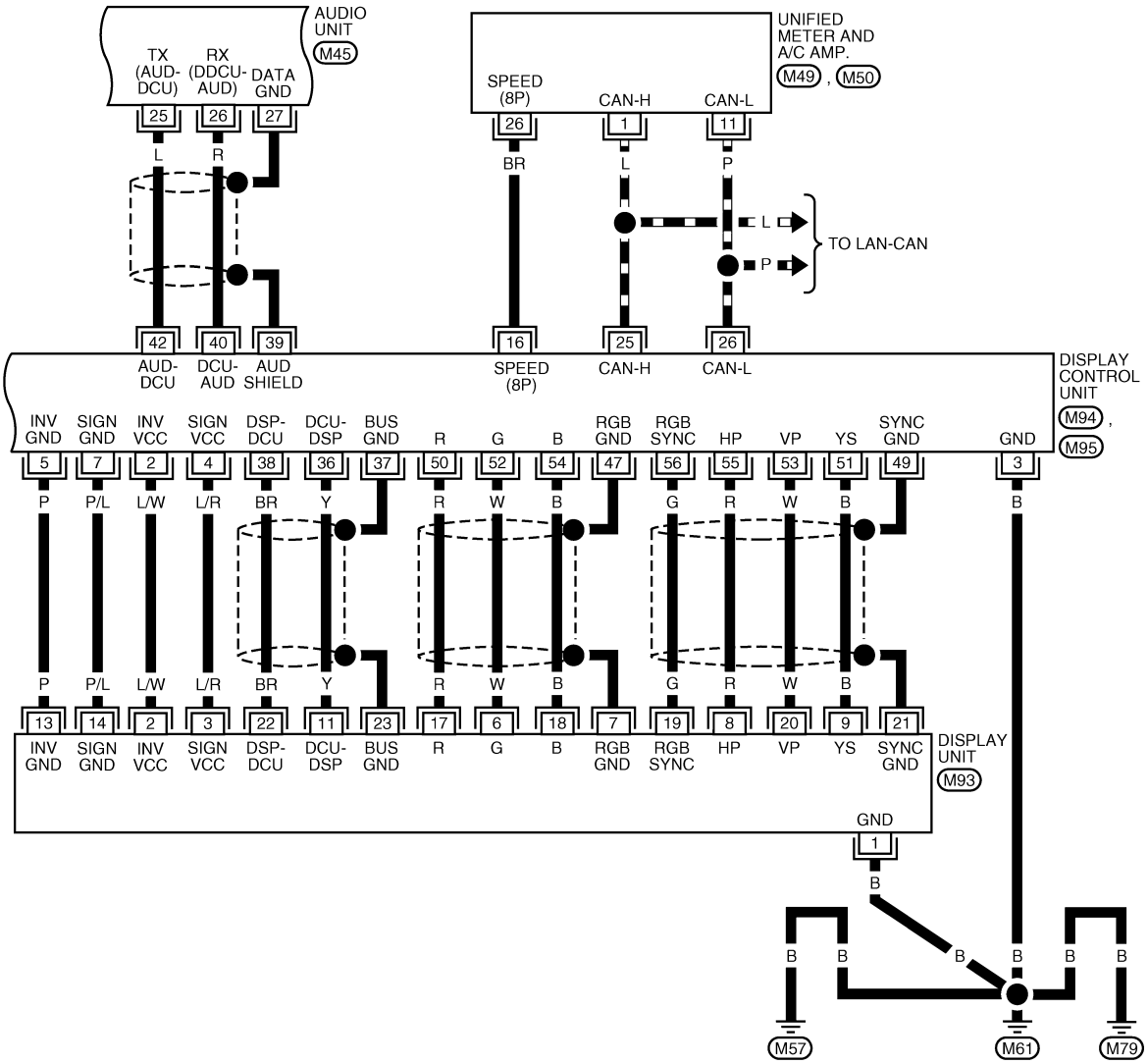
WKWA4916E

# AUDIO

< SERVICE INFORMATION >

## AV-AUDIO-20

— : DATA LINE

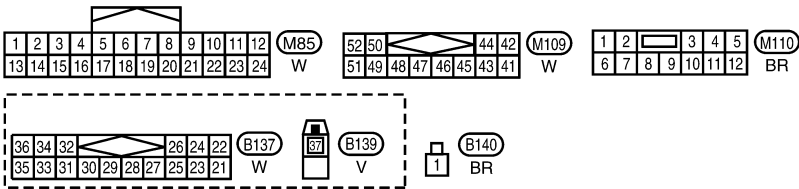
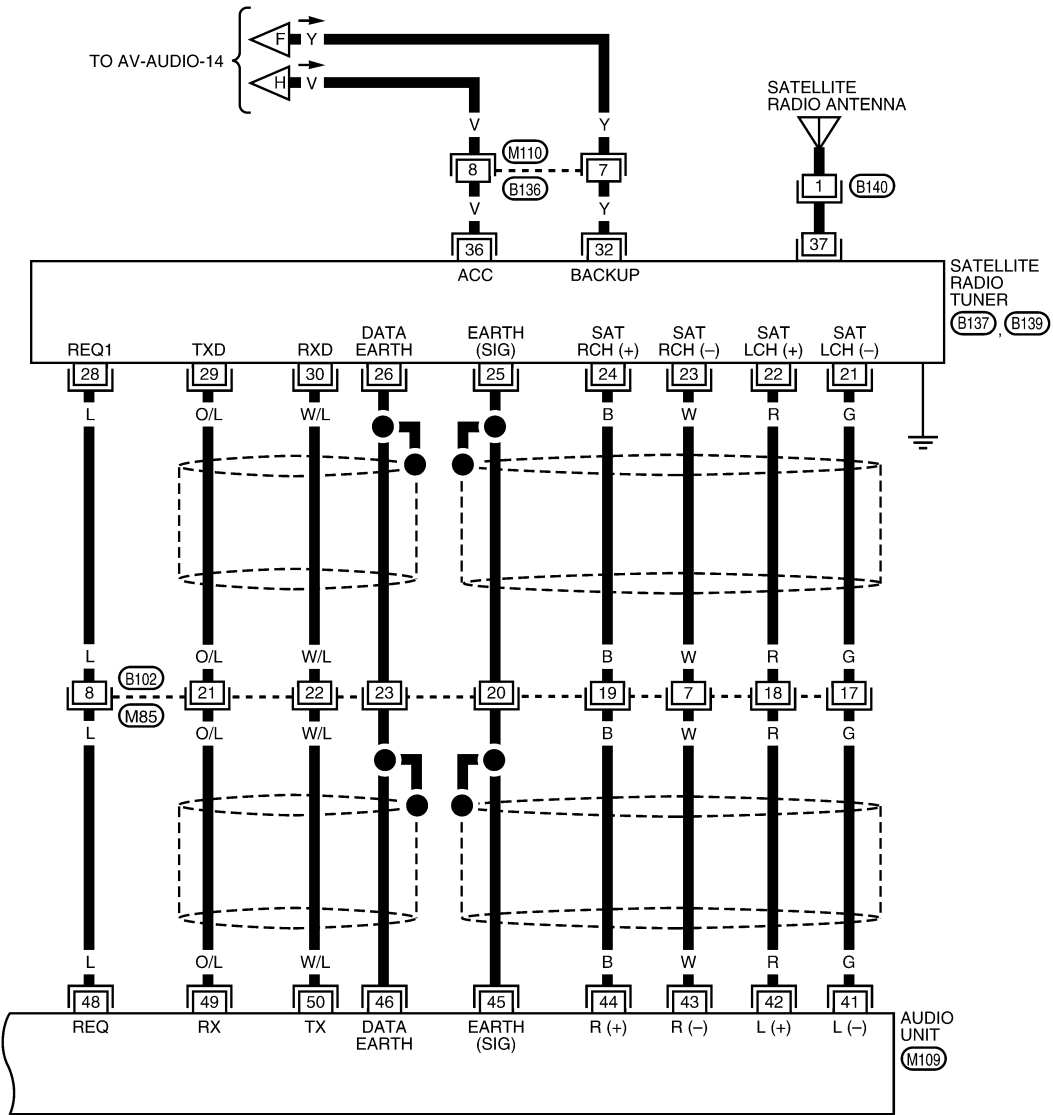


WKWA4917E

# AUDIO

< SERVICE INFORMATION >

AV-AUDIO-21



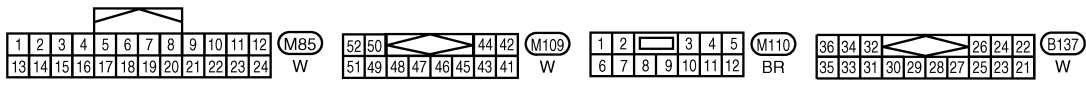
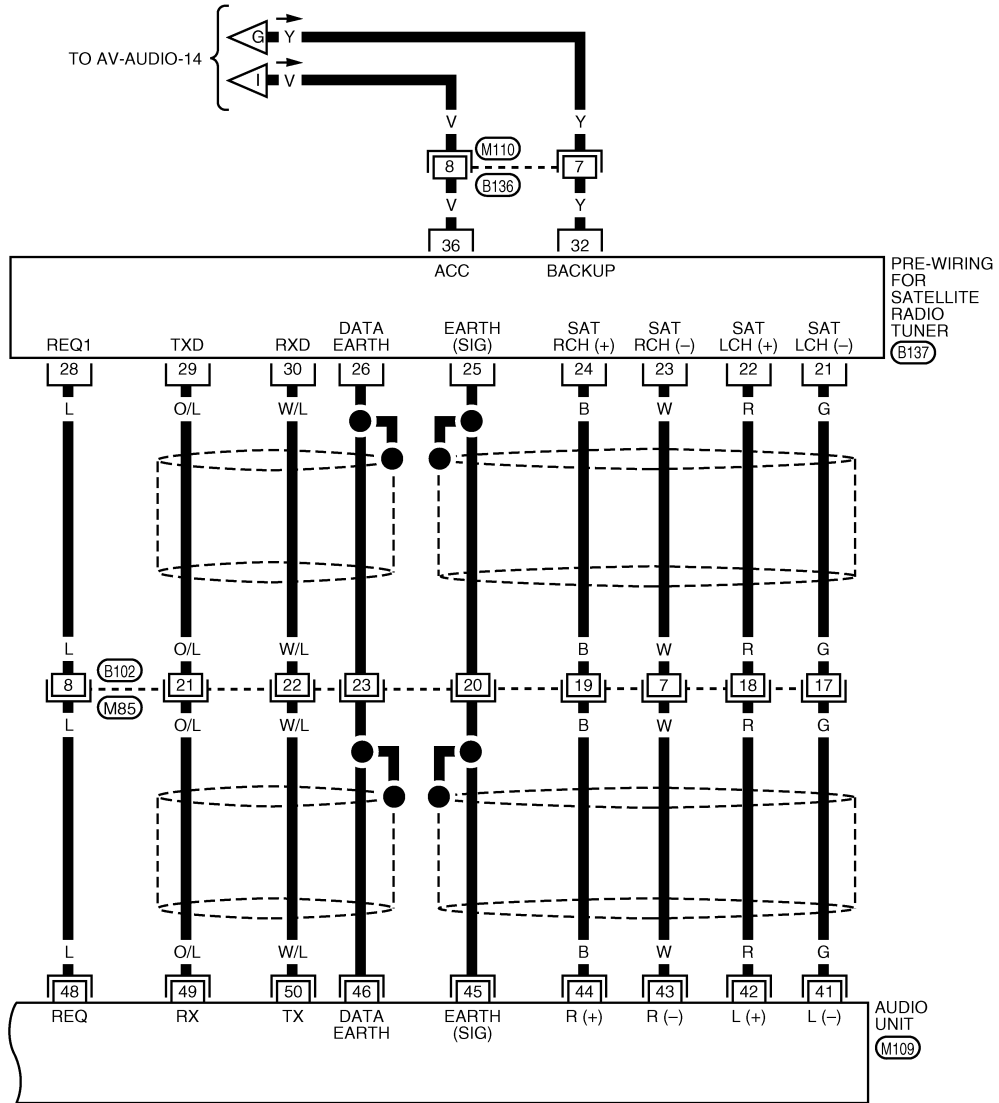
ALNWA0167GE



# AUDIO

< SERVICE INFORMATION >

AV-AUDIO-22



WKWA4919E

A  
B  
C  
D  
E  
F  
G  
H  
I  
J  
L  
M  
N  
O  
P

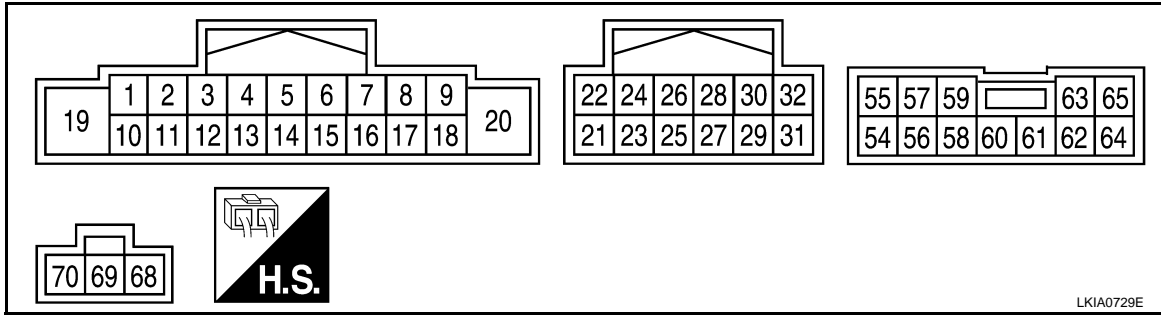
AV

# AUDIO

< SERVICE INFORMATION >

## Audio Unit (Base System) Harness Connector Terminal Layout

INFOID:000000001721827



LKIA0729E

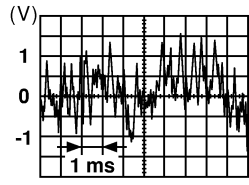
## Terminal and Reference Value for Audio Unit (Base System)

INFOID:000000001721828

Terminal (Wire color)		Item	Signal input/ output	Condition		Reference value	Example of symptom
+	-			Igni- tion switch	Operation		
2 (L/W)	3 (L/R)	Audio sound signal front LH	Output	ON	Receive audio signal	<p style="text-align: right; font-size: small;">SKIA0177E</p>	No sound from front door speaker LH or tweeter LH.
4 (G/Y)	5 (B/Y)	Audio sound signal rear LH	Output	ON	Receive audio signal	<p style="text-align: right; font-size: small;">SKIA0177E</p>	No sound from rear door speak- er LH or sub- woofer LH.
6 (W/R)	Ground	Remote con- trol A	Input	ON	Press MODE switch	Approx. 0.0V	Steering wheel audio controls do not function
					Press SEEK UP switch	Approx. 0.75V	
					Press VOL UP switch	Approx. 2.0V	
					Except for above	Approx. 5.0V	
7 (V)	Ground	ACC signal	Input	ON	Ignition switch ACC or ON	Battery voltage	System does not work properly.
11 (W/B)	12 (L/B)	Audio sound signal front RH	Output	ON	Receive audio signal	<p style="text-align: right; font-size: small;">SKIA0177E</p>	No sound from front door speaker RH or tweeter RH.

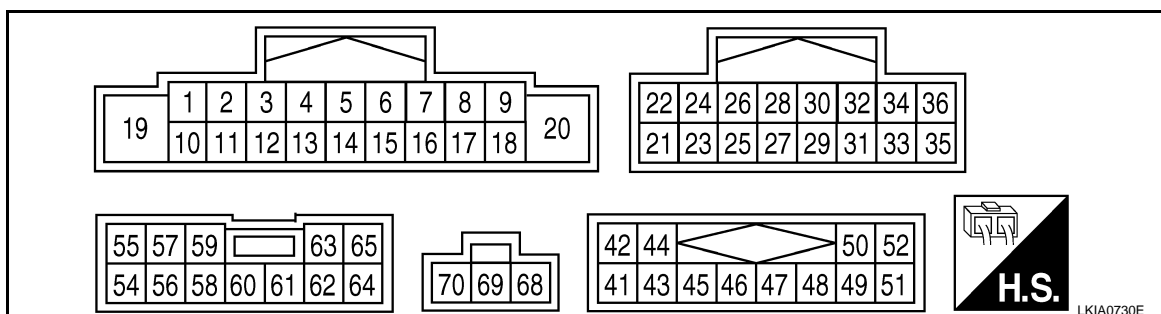
# AUDIO

## < SERVICE INFORMATION >

Terminal (Wire color)		Item	Signal input/ output	Condition		Reference value	Example of symptom	
+	-			Igni- tion switch	Operation			
13 (L)	14 (R)	Audio sound signal rear RH	Output	ON	Receive audio signal	 <small>SKIA0177E</small>	No sound from rear door speak- er RH or sub- woofer RH.	
15 (B/R)	-	Remote control ground	Input	-	-	-	Steering wheel audio controls do not function	
16 (G/R)	Ground	Remote control B	Input	ON	Press POWER switch	Approx. 0.0V	Steering wheel audio controls do not function	
					Press SEEK DOWN switch	Approx. 0.75V		
					Press VOL DOWN switch	Approx. 2.0V		
					Except for above	Approx. 5.0V		
19 (Y)	Ground	Battery power	Input	-	-	Battery voltage	System will not work properly.	
55 (B)		LED power line	Output	ON	Audio ON	9V	Display unit will not work.	
57 (B)	-	LED ground	Input			0V		
58 (B)	Ground	Serial output	Output			-		
59 (B)		Reset	Output			5V		
60 (B)		Shift clock	Input			-		
61 (B)		Serial input	Input			-		
62 (B)		Command data	Input			-		
63 (B)		Display power line	Output			5V		
64 (B)	-	Display unit ground	Input			Audio ON/OFF		0V
65 (B)	-	Display unit ground	Input					
68 (G/W)	Ground	Antenna signal	Output	-	-	More than approx. 10V	Poor radio re- ception.	

### Audio Unit (BOSE System without NAVI) Harness Connector Terminal Layout

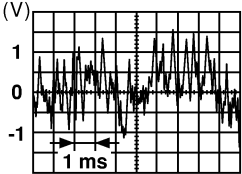
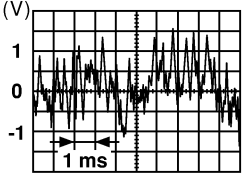
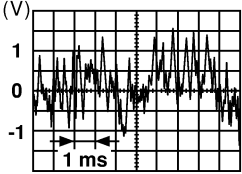
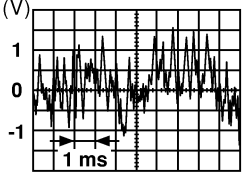
INFOID:000000001721829



# AUDIO

< SERVICE INFORMATION >

## Terminal and Reference Value for Audio Unit (BOSE System without NAVI) INFOID:000000001721830

Terminal (Wire color)		Item	Signal input/ output	Condition		Reference value	Example of symp- tom
+	-			Ignition switch	Operation		
1 (G/W)	Ground	Amp. ON signal	Output	ON	-	More than approx. 6.5V	Amp. does not work properly.
2 (W)	3 (B)	Audio sound signal front LH	Output	ON	Receive audio signal	 SKIA0177E	No sound from front door speaker LH or tweeter LH.
4 (BR)	5 (B/R)	Audio sound signal rear LH	Output	ON	Receive audio signal	 SKIA0177E	No sound from rear door speaker LH or subwoofer LH.
6 (W/R)	Ground	Remote control A	Input	ON	Press MODE switch	Approx. 0.0V	Steering wheel au- dio controls do not function
					Press SEEK UP switch	Approx. 0.75V	
					Press VOL UP switch	Approx. 2.0V	
					Except for above	Approx. 5.0V	
7 (V)	Ground	ACC signal	Input	ON	Ignition switch ACC or ON	Battery voltage	System does not work properly.
10	-	Shield	-	-	-	Approx. 0V	Interference and distortion heard from speakers.
11 (Y)	12 (BR)	Audio sound signal front RH	Output	ON	Receive audio signal	 SKIA0177E	No sound from front door speaker RH or tweeter RH.
13 (L)	14 (B/W)	Audio sound signal rear RH	Output	ON	Receive audio signal	 SKIA0177E	No sound from rear door speaker RH or subwoofer RH.
15 (B/R)	-	Remote control ground	Input	-	-	-	Steering wheel au- dio controls do not function

# AUDIO

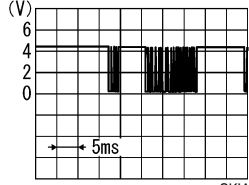
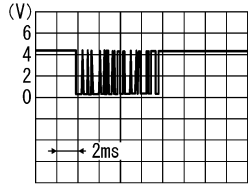
## < SERVICE INFORMATION >

Terminal (Wire color)		Item	Signal input/ output	Condition		Reference value	Example of symp- tom
+	-			Ignition switch	Operation		
16 (G/R)	Ground	Remote control B	Input	ON	Press POWER switch	Approx. 0.0V	Steering wheel au- dio controls do not function
					Press SEEK DOWN switch	Approx. 0.75V	
					Press VOL DOWN switch	Approx. 2.0V	
					Except for above	Approx. 5.0V	
19 (Y)	Ground	Battery pow- er	Input	-	-	Battery voltage	System will not work properly.
25 (L)	Ground	Audio TX	Output	ON	Operate audio volume		Audio information does not display properly.
26 (R)	Ground	Audio RX	Input	ON	Operate audio volume		Audio information does not display properly.
27	-	Shield	-	ON	-	Approx. 0V	-
35 (P)	-	CAN-L	-	-	-	-	-
36 (L)	-	CAN-H	-	-	-	-	-
42 (R)	41 (G)	Audio left channel sound signal from satel- lite radio tuner	Input	ON	Receive audio signal		No sound from sat- ellite radio tuner left channel.
44 (B)	43 (W)	Audio right channel sound signal from satel- lite radio tuner	Input	ON	Receive audio signal		No sound from sat- ellite radio tuner right channel.
45	-	Shield ground (au- dio signal)	-	-	-	0V	-
46	-	Shield ground (da- ta)	-	-	-	0V	-

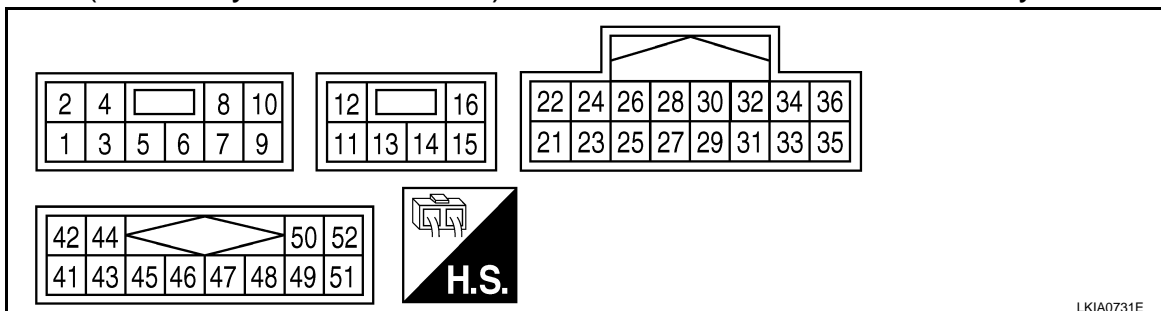
A  
B  
C  
D  
E  
F  
G  
H  
I  
J  
AV  
L  
M  
N  
O  
P

# AUDIO

## < SERVICE INFORMATION >

Terminal (Wire color)		Item	Signal input/ output	Condition		Reference value	Example of symp- tom	
+	-			Ignition switch	Operation			
48 (L)	Ground	Satellite ra- dio tuner re- quest to audio unit	Input	ON	Turn audio unit ON	5V	Satellite radio tun- er does not oper- ate properly.	
49 (O/L)	Ground	Audio RX	Input		Operate audio volume		Satellite radio tun- er audio informa- tion does not display properly.	
50 (W/L)	Ground	Audio TX	Output		Operate audio volume		Satellite radio tun- er audio informa- tion does not display properly.	
55 (B)		LED power line			Audio ON		9V	Display unit will not work.
57 (B)	-	LED ground	Input			0V		
58 (B)		Serial output	Output			-		
59 (B)		Reset	Output			5V		
60 (B)		Shift clock	Input					
61 (B)	Ground	Serial input	Input			-		
62 (B)		Command data	Input					
63 (B)		Display power line	Output	5V				
64 (B)		Display unit ground	Input					
65 (B)	-	Display unit ground	Input	0V				
68 (G/W)	Ground	Antenna signal	Output	-	More than approx.10V	Poor radio recep- tion.		

### Audio Unit (BOSE System with NAVI) Harness Connector Terminal Layout INFOID:000000001721831

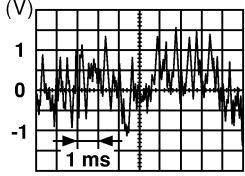
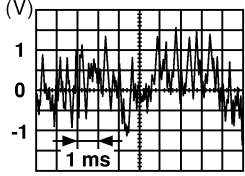
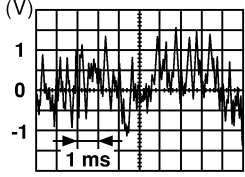
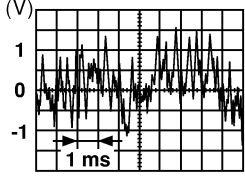
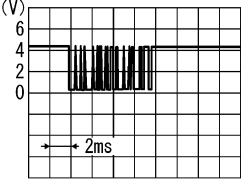


# AUDIO

< SERVICE INFORMATION >

## Terminal and Reference Value for Audio Unit (BOSE System with NAVI)

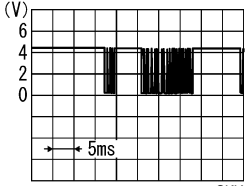
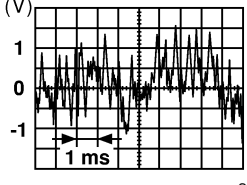
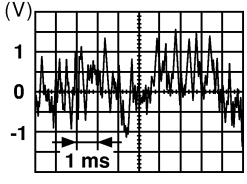
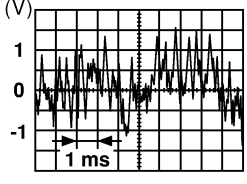
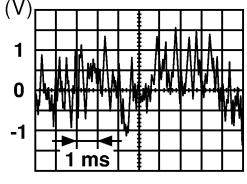
INFOID:000000001721832

Terminal (Wire color)		Item	Signal input/ output	Condition		Reference value	Example of symp- tom
+	-			Ignition switch	Operation		
2 (W)	1 (B)	Audio sound signal front LH	Output	ON	Receive audio signal	 SKIA0177E	No sound from front door speaker LH or tweeter LH.
4 (Y)	3 (BR)	Audio sound signal front RH	Output	ON	Receive audio signal	 SKIA0177E	No sound from front door speaker RH or tweeter RH.
5 (G/W)	Ground	Antenna signal	Output	ON	-	More than approx. 10V	Poor radio recep- tion.
6 (Y)	Ground	Battery pow- er	Input	-	-	Battery voltage	System will not work properly.
9	-	Shield	-	-	-	Approx. 0V	Interference and dis- tortion heard from speakers.
10 (V)	Ground	ACC signal	Input	ON	-	Battery voltage	System does not work properly.
12 (G/W)	Ground	Amp. ON signal	Output	ON	-	More than approx. 6.5V	Amp. does not work properly.
14 (BR)	13 (B/R)	Audio sound signal rear LH	Output	ON	Receive audio signal	 SKIA0177E	No sound from rear door speaker LH or subwoofer LH.
16 (L)	15 (B/W)	Audio sound signal rear RH	Output	ON	Receive audio signal	 SKIA0177E	No sound from rear door speaker RH or subwoofer RH.
25 (L)	Ground	Audio TX	Output	ON	Operate audio volume	 SKIA4402E	Audio information does not display properly.

A  
B  
C  
D  
E  
F  
G  
H  
I  
J  
AV  
L  
M  
N  
O  
P

# AUDIO

## < SERVICE INFORMATION >

Terminal (Wire color)		Item	Signal input/ output	Condition		Reference value	Example of symp- tom
+	-			Ignition switch	Operation		
26 (R)	Ground	Audio RX	Input	ON	Operate audio volume	 <small>SKIA4403E</small>	Audio information does not display properly.
27	-	Shield	-	ON	-	Approx.0V	
33 (W)	Ground	Auxiliary au- dio input RH (+)	Input	ON	Receive audio signal (AUX in- put)	 <small>SKIA0177E</small>	No sound from auxil- iary audio source right channel.
35 (W/R)	-	Common (-)	-	-	-	Approx.0V	Interference and dis- tortion heard from speakers.
36 (R/L)	Ground	Auxiliary au- dio input LH (+)	Input	ON	Receive audio signal (AUX in- put)	 <small>SKIA0177E</small>	No sound from auxil- iary audio source left channel.
42 (R)	41 (G)	Audio left channel sound signal from satel- lite radio tuner	Input	ON	Receive audio signal	 <small>SKIA0177E</small>	No sound from satel- lite radio tuner left channel.
44 (B)	43 (W)	Audio right channel sound signal from satel- lite radio tuner	Input	ON	Receive audio signal	 <small>SKIA0177E</small>	No sound from satel- lite radio tuner right channel.
45	-	Shield ground (au- dio signal)	-	-	-	0V	-
46	-	Shield ground (da- ta)	-	-	-	0V	-
48 (L)	Ground	Satellite ra- dio tuner re- quest to audio unit	Input	ON	Turn audio unit ON	5V	Satellite radio tuner does not operate properly.



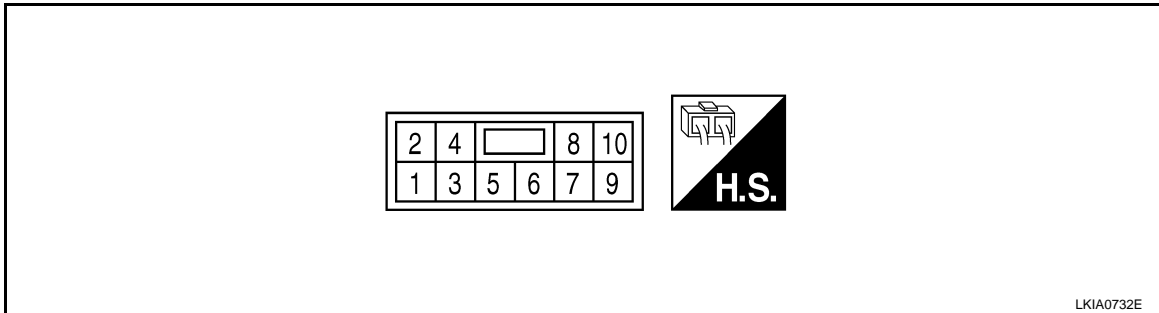
# AUDIO

## < SERVICE INFORMATION >

Terminal (Wire color)		Item	Signal input/output	Condition		Reference value	Example of symptom
+	-			Ignition switch	Operation		
49 (O/L)	Ground	Audio RX	Input	ON	Operate audio volume	 SKIA4403E	Satellite radio tuner audio information does not display properly.
50 (W/L)	Ground	Audio TX	Output	ON	Operate audio volume	 SKIA4402E	Satellite radio tuner audio information does not display properly.

### Subwoofer Amp (Base System) Harness Connector Terminal Layout

INFOID:000000001721833



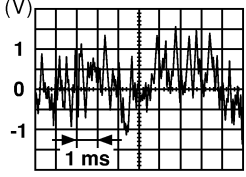
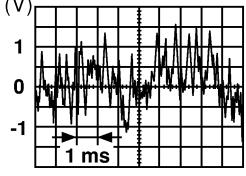
### Terminal and Reference Value for Subwoofer Amp (Base System)

INFOID:000000001721834

Terminal (wire color)		Item	Signal input/output	Condition		Reference value	Example of symptom
+	-			Ignition switch	Operation		
2 (G/Y)	1 (L/Y)	Subwoofer LH	Input	ON	Receive audio signal	 SKIA0177E	No sound from subwoofer LH.
4 (L)	3 (R)	Subwoofer RH	Input	ON	Receive audio signal	 SKIA0177E	No sound from subwoofer RH.

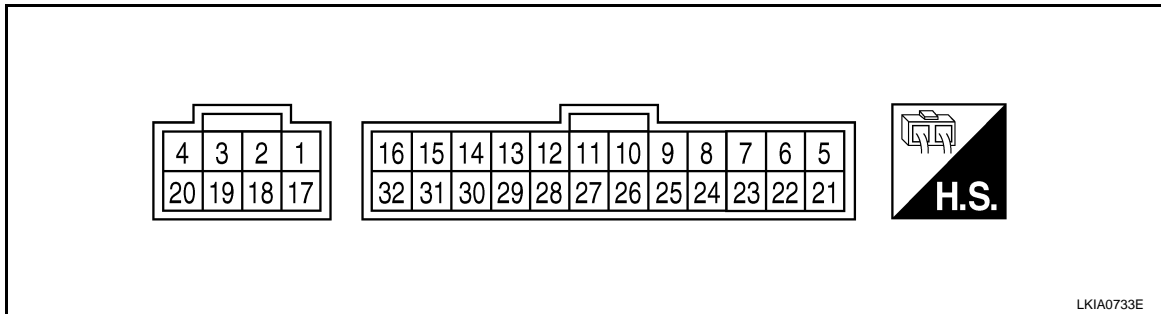
# AUDIO

## < SERVICE INFORMATION >

Terminal (wire color)		Item	Signal input/output	Condition		Reference value	Example of symptom
+	-			Ignition switch	Operation		
6 (L/Y)	5 (P)	Subwoofer LH	Output	ON	Receive audio signal	 SKIA0177E	No sound from subwoofer LH.
7 (B)	Ground	Ground	-	ON	-	-	-
9 (W)	Ground	ACC signal	Input	ON	Ignition switch ACC or ON	Battery voltage	System does not work properly.
10 (B/Y)	8 (O)	Subwoofer RH	Output	ON	Receive audio signal	 SKIA0177E	No sound from subwoofer RH.

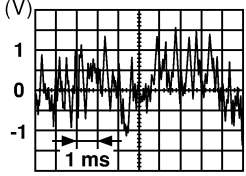
## BOSE Speaker Amp Harness Connector Terminal Layout

INFOID:000000001721835



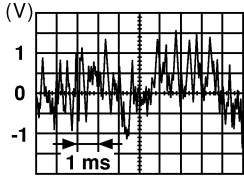
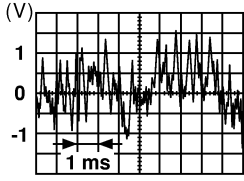
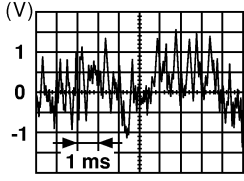
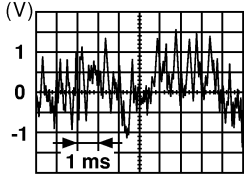
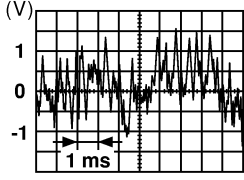
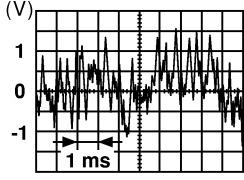
## Terminal and Reference Value for BOSE Speaker Amp

INFOID:000000001721836

Terminal (wire color)		Item	Signal input/output	Condition		Reference value	Example of symptom
+	-			Ignition switch	Operation		
1 (Y)	Ground	Battery	Input	-	-	Battery voltage	System does not work properly.
18 (W)	2 (B)	Woofer	Output	ON	Receive audio signal	 SKIA0177E	No sound from subwoofers.

# AUDIO

## < SERVICE INFORMATION >

Terminal (wire color)		Item	Signal input/ output	Condition		Reference value	Example of symptom
+	-			Ignition switch	Operation		
9 (G/Y)	10 (L/Y)	Rear door speaker LH	Output	ON	Receive audio signal	 SKIA0177E	No sound from rear speaker LH.
11 (L)	12 (R)	Rear door speaker RH	Output	ON	Receive audio signal	 SKIA0177E	No sound from rear speaker RH.
13 (L/W)	14 (L/B)	Front door speaker LH and tweeter LH	Output	ON	Receive audio signal	 SKIA0177E	No sound from front door speaker LH or tweeter LH.
15 (W/B)	16 (G/B)	Front door speaker RH and tweeter RH	Output	ON	Receive audio signal	 SKIA0177E	No sound from front door speaker RH or tweeter RH.
17 (B)	Ground	Ground	-	ON	-	-	-
22 (G/W)	Ground	Subwoofer RH ON signal	Input	ON	-	Approx. 6.5V	Subwoofer RH does not work properly.
24 (L)	23 (B/W)	Audio sound signal rear RH	Input	ON	Receive audio signal	 SKIA0177E	No sound from rear speaker RH.
26 (BR)	25 (B/R)	Audio sound signal rear LH	Input	ON	Receive audio signal	 SKIA0177E	No sound from rear speaker LH.

A

B

C

D

E

F

G

H

I

J

AV

L

M

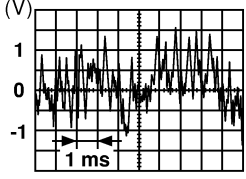
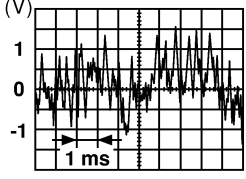
N

O

P

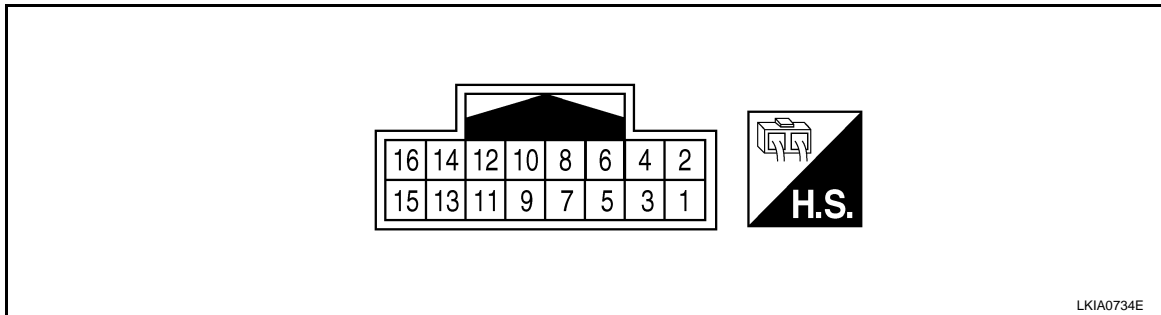
# AUDIO

## < SERVICE INFORMATION >

Terminal (wire color)		Item	Signal input/output	Condition		Reference value	Example of symptom
+	-			Ignition switch	Operation		
28 (Y)	27 (BR)	Audio sound signal front RH	Input	ON	Receive audio signal	 SKIA0177E	No sound from front door speaker RH or tweeter RH.
30 (W)	29 (B)	Audio sound signal front LH	Input	ON	Receive audio signal	 SKIA0177E	No sound from front door speaker LH or tweeter LH.
31 (G/W)	Ground	Amp. ON signal	Input	ON	-	More than approx. 6.5V	System does not work properly.

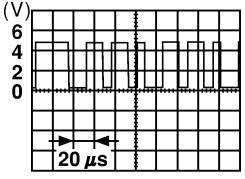
## AV Switch Harness Connector Terminal Layout (With NAVI)

INFOID:000000001721837



## Terminal and Reference Value for AV Switch

INFOID:000000001721838

Terminal No. (Wire color)		Item	Signal input/output	Condition		Voltage	Example of symptom
+	-			Ignition switch	Operation		
1 (W)	Ground	Battery power	Input	OFF	-	Battery voltage	System does not work properly.
2 (V)	Ground	ACC signal	Input	ACC	-	Battery voltage	System does not work properly.
5 (B)	Ground	Ground	-	ON	-	Approx. 0V	-
6 (L)	Ground	Communication signal (+)	Input/output	ON	-	 SKIA0175E	System does not work properly.
7	-	Shield ground	-	-	-	-	-

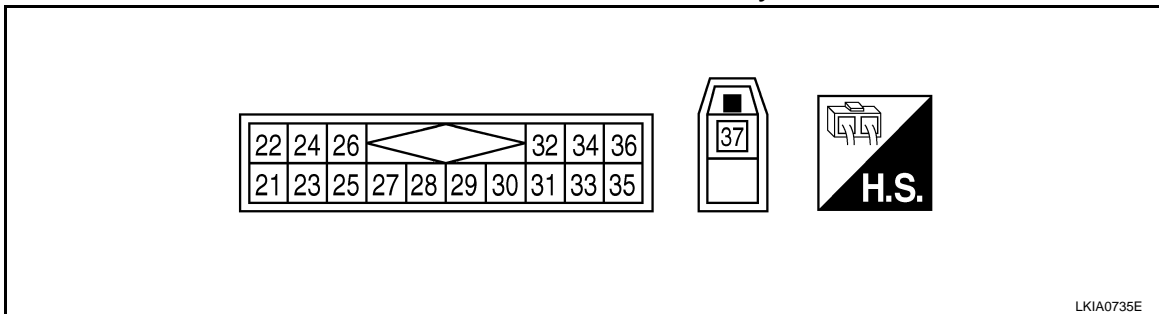
# AUDIO

## < SERVICE INFORMATION >

Terminal No. (Wire color)		Item	Signal input/ output	Condition		Voltage	Example of symptom
+	-			Ignition switch	Operation		
8 (L/G)	Ground	Communica- tion signal (-)	Input/ output	ON	-		System does not work properly.
12 (W/R)	Ground	Remote con- trol A	Input	ON	Press MODE switch	Approx. 0V	Steering wheel audio controls do not function.
					Press SEEK UP switch	Approx. 0.75V	
					Press VOL UP switch	Approx. 2V	
					Except for above	Approx. 5V	
13 (G/R)	Ground	Remote con- trol B	Input	ON	Press POWER switch	Approx. 0V	Steering wheel audio controls do not function.
					Press SEEK DOWN switch	Approx. 0.75V	
					Press VOL DOWN switch	Approx. 2V	
					Except for above	Approx. 5V	
14 (R/B)	-	Remote con- trol ground	-	-	-	-	Steering wheel audio controls do not function.

### Satellite Radio Tuner Harness Connector Terminal Layout

INFOID:000000001721839



A  
B  
C  
D  
E  
F  
G  
H  
I  
J  
L  
M  
N  
O  
P

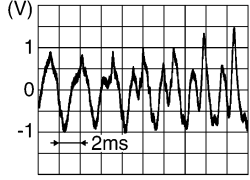
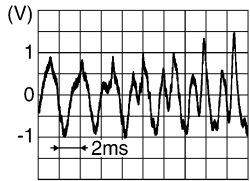
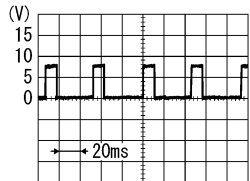
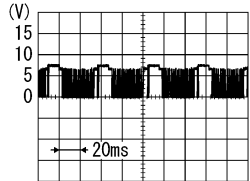
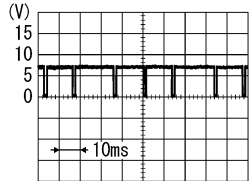
AV

# AUDIO

< SERVICE INFORMATION >

## Terminal and Reference Value for Satellite Radio Tuner

INFOID:000000001721840

Terminal (Wire color)		Item	Signal input/ output	Condition		Voltage (approx.)
+	-			Ignition switch	Operation	
22 (R)	21 (G)	Audio signal LH	Output	ON	Receive audio signal.	 <p style="text-align: right; font-size: small;">SKIB3609E</p>
24 (B)	23 (W)	Audio signal RH	Output	ON	Receive audio signal.	 <p style="text-align: right; font-size: small;">SKIB3609E</p>
25	-	Shield	-	-	-	-
26				ON		Approx. 0 V
28 (L)	Ground	REQ1 (SAT-AUDIO)	Output	ON	Set to the satellite radio mode	 <p style="text-align: right; font-size: small;">SKIB3825E</p>
29 (O/L)	Ground	Communication signal (SAT-AUDIO)	Output	ON	Set to the satellite radio mode	 <p style="text-align: right; font-size: small;">SKIB3824E</p>
30 (W/L)	Ground	Communication signal (AUDIO-SAT)	Input	ON	Set to the satellite radio mode	 <p style="text-align: right; font-size: small;">SKIB3826E</p>
32 (Y)	Ground	Battery power supply	Input	OFF	-	Battery voltage
36 (V)		ACC power supply		ACC		
37	-	Antenna signal		-	-	-

## AV Switch Self-Diagnosis Function (With NAVI)

INFOID:000000001721841

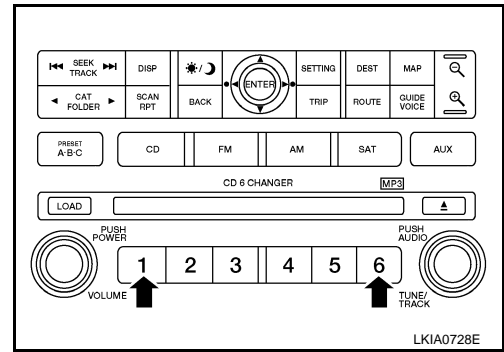
It can check ON/OFF operation of each switch on the AV switch and diagnose the input signals from the steering switch.

# AUDIO

## < SERVICE INFORMATION >

### STARTING THE SELF-DIAGNOSIS MODE

1. Turn ignition switch from OFF to ACC.
2. Within 10 seconds press and hold the switches "1" and "6" simultaneously for 3 seconds.  
Then the self-diagnosis operates. A single beep indicates self-diagnosis mode is active.
3. Press each AV switch and steering switch and turn volume and tuning knobs while listening for beep.



### EXITING THE SELF-DIAGNOSIS MODE

The self-diagnosis mode ends when the ignition switch is turned OFF.

### DIAGNOSIS FUNCTION

- It can check for continuity of the switches by sounding the beep when each AV switch and steering switch is pressed.
- It can check for continuity of harness between AV switch and steering switch.

### Audio Unit Self-Diagnosis Mode (Without NAVI)

INFOID:000000001721842

Refer to [AV-104, "Self-Diagnosis Mode"](#).

### Trouble Diagnosis

INFOID:000000001721843

The majority of audio concerns are the result of outside causes (bad CD, electromagnetic interference, etc.). Check the inspection items below to diagnose the malfunction.

### MALFUNCTION WITH RADIO AND CD (BASE SYSTEM)

Symptom	Possible cause
Inoperative	<ul style="list-style-type: none"> <li>• Audio unit power circuit check. Refer to <a href="#">AV-50, "Power Supply Circuit Inspection"</a>.</li> <li>If above check is OK, replace audio unit. Refer to <a href="#">AV-74, "Removal and Installation"</a>.</li> </ul>
Steering switch does not operate	<ul style="list-style-type: none"> <li>• Steering switch check. Refer to <a href="#">AV-56, "Steering Switch Check (Without Bluetooth or NAVI)"</a>.</li> <li>If above check is OK, replace audio unit. Refer to <a href="#">AV-74, "Removal and Installation"</a>.</li> </ul>
Audio screen is not shown	<ul style="list-style-type: none"> <li>• Display unit check. Refer to <a href="#">AV-104, "Self-Diagnosis Mode"</a>.</li> </ul>
All speakers do not sound	<ul style="list-style-type: none"> <li>• Audio unit</li> <li>• Audio unit power circuit check. Refer to <a href="#">AV-50, "Power Supply Circuit Inspection"</a>.</li> </ul>
One or several speakers do not sound	<ul style="list-style-type: none"> <li>• Front door speaker check. Refer to <a href="#">AV-60, "Sound Is Not Heard from Front Door Speaker or Tweeter (Base System)"</a>.</li> <li>• Rear door speaker check. Refer to <a href="#">AV-62, "Sound Is Not Heard from Rear Door Speaker (Base System)"</a>.</li> <li>• Subwoofer check. Refer to <a href="#">AV-70, "Sound Is Not Heard from Subwoofers (Base System)"</a>.</li> </ul>
Poor sound	<ul style="list-style-type: none"> <li>• Audio unit</li> <li>• Speaker</li> </ul>
Noisy	<ul style="list-style-type: none"> <li>• Audio unit</li> <li>• Electrical equipment (generator, bonding wire, etc.)</li> </ul>

### MALFUNCTION WITH RADIO AND CD (BOSE SYSTEM)

# AUDIO

## < SERVICE INFORMATION >

Symptom	Possible cause
Inoperative	<ul style="list-style-type: none"> <li>• Audio unit power circuit check. Refer to <a href="#">AV-50, "Power Supply Circuit Inspection"</a>.</li> <li>• AV switch check (with NAVI). Refer to <a href="#">AV-46, "AV Switch Self-Diagnosis Function (With NAVI)"</a>.</li> </ul> <p>If above check is OK, replace audio unit. Refer to <a href="#">AV-74, "Removal and Installation"</a>.</p>
Steering switch does not operate	<ul style="list-style-type: none"> <li>• Steering switch check. Refer to <a href="#">AV-56, "Steering Switch Check (Without Bluetooth or NAVI)"</a>, <a href="#">AV-57, "Steering Switch Check (With Bluetooth and without NAVI)"</a>, or <a href="#">AV-59, "Steering Switch Check (with NAVI)"</a>.</li> <li>• Audio communication line check (with navigation system). Refer to <a href="#">AV-154, "Audio Communication Line Check (Between Display Control Unit and Audio Unit)"</a>.</li> </ul> <p>If above check is OK, replace audio unit. Refer to <a href="#">AV-74, "Removal and Installation"</a>.</p>
Audio screen is not shown	<ul style="list-style-type: none"> <li>• Display unit check. Refer to <a href="#">AV-104, "Self-Diagnosis Mode"</a> (without navigation system), <a href="#">AV-134, "Self-Diagnosis Mode (DCU)"</a> (with navigation system).</li> </ul>
All speakers do not sound	<ul style="list-style-type: none"> <li>• Audio unit</li> <li>• Audio unit power circuit check. Refer to <a href="#">AV-50, "Power Supply Circuit Inspection"</a>.</li> <li>• BOSE speaker amp. ON signal</li> <li>• BOSE speaker amp. ground circuit</li> <li>• BOSE speaker amp.</li> </ul>
One or several speakers do not sound	<ul style="list-style-type: none"> <li>• Front door speaker check. Refer to <a href="#">AV-63, "Sound Is Not Heard from Front Door Speaker or Tweeter (BOSE System)"</a>.</li> <li>• Rear door speaker check. Refer to <a href="#">AV-67, "Sound Is Not Heard from Rear Door Speaker (BOSE System)"</a>.</li> <li>• Subwoofer check. Refer to <a href="#">AV-73, "Sound Is Not Heard from Subwoofers (BOSE System)"</a>.</li> </ul>
Poor sound	<ul style="list-style-type: none"> <li>• Audio unit</li> <li>• BOSE speaker amp.</li> <li>• Speaker</li> </ul>
Noisy	<ul style="list-style-type: none"> <li>• Audio unit</li> <li>• BOSE speaker amp.</li> <li>• Electrical equipment (generator, bonding wire, etc.)</li> </ul>

## FOR RADIO ONLY

Symptom	Possible cause
No sound	<ul style="list-style-type: none"> <li>• Audio unit</li> <li>• Antenna feeder, wiring or connections</li> <li>• Antenna amplifier, power supply, wiring or connections</li> </ul>
Noisy	<ul style="list-style-type: none"> <li>• Audio unit</li> <li>• Antenna feeder, wiring or connections</li> <li>• Antenna amplifier, power supply, wiring or connections</li> <li>• Noise prevention parts</li> <li>• Electrical equipment (generator, bonding wire, etc.)</li> <li>• Wire harness of each piece of electrical equipment</li> </ul>
Selected radio stations stored in memory are deleted	<ul style="list-style-type: none"> <li>• Audio unit</li> <li>• Audio unit power circuit. Refer to <a href="#">AV-50, "Power Supply Circuit Inspection"</a>.</li> </ul>

### NOTE:

The following noise results from variations in field strength, such as fading noise and multi-path noise, or external noise from trains and other sources. It is not a malfunction.

- Fading noise: This noise occurs because of variations in the field strength in a narrow range due to mountains or buildings blocking the signal.
- Multi-path noise: This noise results from the waves sent directly from the broadcast station arriving at the antenna at a different time from the waves which reflect off of mountains or buildings.



# AUDIO

## < SERVICE INFORMATION >

### FOR CD ONLY

Symptom	Possible cause
CD cannot be inserted.	Audio unit
CD cannot be ejected.	
The CD cannot be played.	
The sound skips, stops suddenly, or is distorted.	

### FOR SATELLITE RADIO TUNER (FACTORY INSTALLED) ONLY

Symptom	Possible cause
Inoperative	<ul style="list-style-type: none"> <li>Satellite radio tuner (factory installed) power and ground circuit inspection. Refer to <a href="#">AV-52, "Satellite Radio Tuner (Factory Installed) Power and Ground Supply Circuit Inspection"</a>.</li> <li>Satellite radio tuner (factory installed) communication circuit inspection. Refer to <a href="#">AV-52, "Satellite Radio Tuner (Factory Installed) Communication Circuit Inspection"</a>.</li> </ul> <p>If above check is OK, replace satellite radio tuner. Refer to <a href="#">AV-74, "Removal and Installation"</a>.</p>
Right or left channel does not sound	<ul style="list-style-type: none"> <li>Satellite radio tuner (factory installed) right channel audio signal circuit inspection. Refer to <a href="#">AV-55, "Satellite Radio Tuner (Factory Installed) Right Channel Audio Signal Circuit Inspection"</a>.</li> <li>Satellite radio tuner (factory installed) left channel audio signal circuit inspection. Refer to <a href="#">AV-54, "Satellite Radio Tuner (Factory Installed) Left Channel Audio Signal Circuit Inspection"</a>.</li> </ul> <p>If above check is OK, replace satellite radio tuner. Refer to <a href="#">AV-74, "Removal and Installation"</a>.</p>
Poor reception	<ul style="list-style-type: none"> <li>Location of vehicle. Make certain vehicle is in an open area.</li> <li>Satellite radio antenna or antenna feeder. Refer to <a href="#">AV-81, "Location of Antenna"</a>.</li> </ul>
Noisy	<ul style="list-style-type: none"> <li>Satellite radio tuner (factory installed) ground.</li> <li>Satellite radio tuner (factory installed) harness shield wires.</li> <li>Electrical equipment (generator, bonding wire, etc.). Refer to <a href="#">AV-49, "Noise Inspection"</a>.</li> </ul>

#### NOTE:

In vehicles equipped with NAVI, when pressing the SAT button, the display unit will display `NO SAT' when the following conditions exist:

- Loss of power to the satellite radio tuner
- Open or short in the REQ1, TXD, or RXD circuits.

If the satellite antenna is disconnected or inoperative, the display unit will display ANTENNA.

### Noise Inspection

INFOID:000000001721844

The vehicle itself can be a source of noise if noise prevention parts or electrical equipment is malfunctioning. Check if noise is caused and/or changed by engine speed, ignition switch turned to each position, and operation of each piece of electrical equipment, and determine the cause.

#### NOTE:

The source of the noise can be found easily by listening to the noise while removing the fuses of electrical components, one by one.

### TYPE OF NOISE AND POSSIBLE CAUSE

Occurrence condition	Possible cause	
Occurs only when engine is ON.	A continuous growling noise occurs. The speed of the noise varies with changes in the engine speed.	Ignition components
	A whistling noise occurs while the engine speed is high. A booming noise occurs while the engine is running and the lighting switch is ON.	Generator

# AUDIO

## < SERVICE INFORMATION >

Occurrence condition	Possible cause
The occurrence of the noise is linked with the operation of the fuel pump.	Fuel pump condenser (taped in body harness near rear kicking plate LH)
Noise only occurs when various electrical components are operating.	A cracking or snapping sound occurs with the operation of various switches.
	The noise occurs when various motors are operating.
The noise occurs constantly, not just under certain conditions.	<ul style="list-style-type: none"> <li>• Relay malfunction, radio malfunction</li> <li>• Motor case ground</li> <li>• Motor</li> </ul>
A cracking or snapping sound occurs while the vehicle is being driven, especially when it is vibrating excessively.	<ul style="list-style-type: none"> <li>• Rear defogger coil malfunction</li> <li>• Open circuit in printed heater</li> <li>• Poor ground of antenna amplifier or antenna feeder line</li> <li>• Ground wire of body parts.</li> <li>• Ground due to improper part installation</li> <li>• Wiring connections or a short circuit</li> </ul>

## Power Supply Circuit Inspection

INFOID:000000001721845

### 1. CHECK FUSE

Check that the following fuses of the subwoofer amp. (base system), AV switch (with NAVI), BOSE speaker amp. (with BOSE) and audio unit are not blown.

Unit	Terminals	Signal name	Fuse No.
Audio unit	19 (without NAVI) 6 (with NAVI)	Battery power	31
	7 (without NAVI) 10 (with NAVI)	Ignition switch ACC or ON	6
AV switch	1	Battery power	3
Subwoofer amp. (base system)	9	Ignition switch ACC or ON	4
BOSE speaker amp. (with BOSE)	1	Battery power	31

#### OK or NG

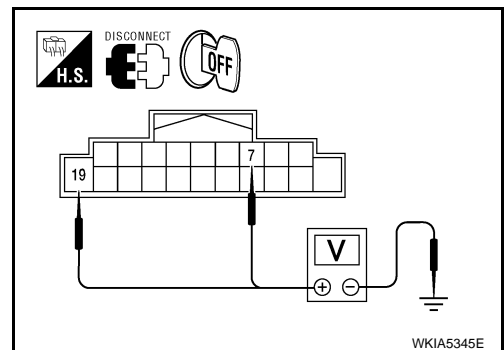
OK >> GO TO 2.

NG >> If fuse is blown, be sure to eliminate cause of problem before installing new fuse. Refer to [PG-3](#).

### 2. AUDIO UNIT POWER SUPPLY CIRCUIT CHECK

1. Disconnect audio unit connector.
2. Check voltage between the audio unit (without NAVI) and ground.

Unit	Terminal No.		OFF	ACC	ON	
	(+)					
	Connector	Terminal				
Audio unit	M51	19	Ground	Battery voltage	Battery voltage	Battery voltage
		7	Ground	0V	Battery voltage	Battery voltage

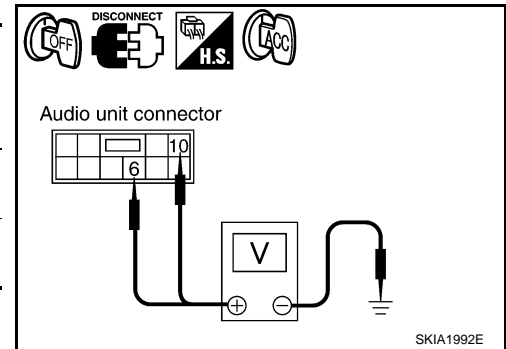


3. Check voltage between the audio unit (with NAVI) and ground.

# AUDIO

## < SERVICE INFORMATION >

Unit	Terminal No.		OFF	ACC	ON	
	(+)					
	Connector	Terminal				
Audio unit	M43	6	Ground	Battery voltage	Battery voltage	Battery voltage
		10	Ground	0V	Battery voltage	Battery voltage



### OK or NG

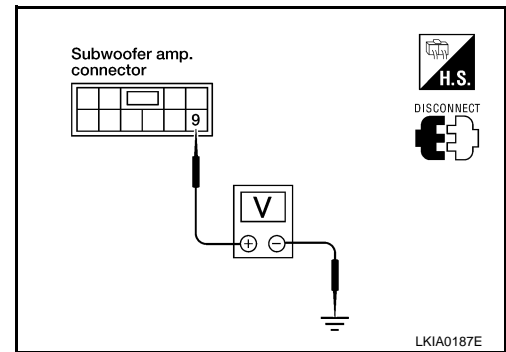
- OK >> GO TO 3.  
 NG >> • Check connector housings for disconnected or loose terminals.  
 • Repair harness or connector.

## 3.SUB WOOFER AMP (BASE SYSTEM) OR BOSE SPEAKER AMP (WITH BOSE) POWER SUPPLY CIRCUIT CHECK

Disconnect subwoofer amp. connector.

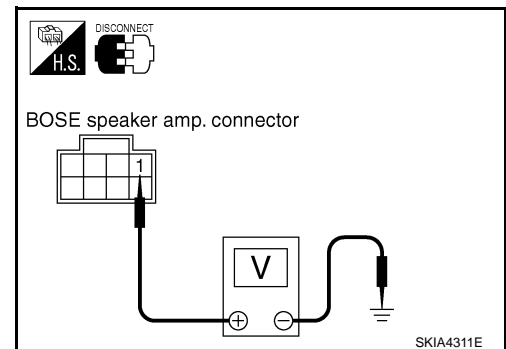
1. Check voltage between subwoofer amp. (base system) and ground.

Unit	Terminal No.		OFF	ACC	ON	
	(+)					
	Connector	Terminal				
Subwoofer amp.	B133	9	Ground	0V	Battery voltage	Battery voltage



2. Check voltage between BOSE speaker amp. (with BOSE) and ground.

Unit	Terminal No.		OFF	ACC	ON	
	(+)					
	Connector	Terminal				
BOSE speaker amp.	B127	1	Ground	Battery voltage	Battery voltage	Battery voltage



### OK or NG

- OK >> GO TO 4.  
 NG >> • Check connector housings for disconnected or loose terminals.  
 • Repair harness or connector.

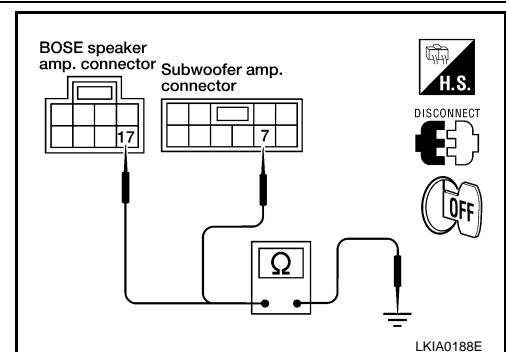
## 4.GROUND CIRCUIT CHECK

Check continuity between subwoofer amp. (base system) harness connector B133 terminal 7 or BOSE speaker amp. (with BOSE) harness connector B127 terminal 17 and ground.

**Continuity should exist.**

### OK or NG

- OK >> Inspection End.  
 NG >> • Check connector housings for disconnected or loose terminals.  
 • Repair harness or connector.



# AUDIO

< SERVICE INFORMATION >

## Satellite Radio Tuner (Factory Installed) Power and Ground Supply Circuit Inspection

INFOID:000000001721846

### 1. CHECK FUSES

Check that the following fuses are not blown.

Unit	Terminals	Signal name	Fuse No.
Satellite radio tuner (factory installed)	32	Battery power	31
	36	Ignition switch ACC or ON	6

**OK or NG**

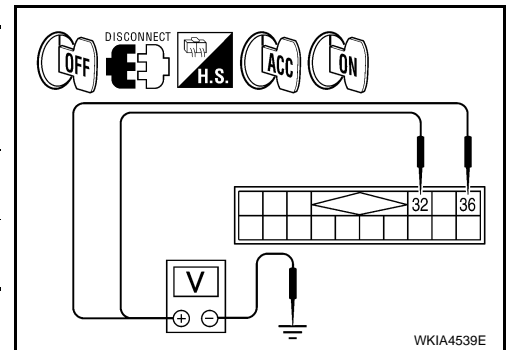
OK >> GO TO 2.

NG >> If fuse is blown, be sure to eliminate cause of problem before installing new fuse. Refer to [PG-3](#).

### 2. POWER SUPPLY CIRCUIT CHECK

- Turn ignition switch OFF.
- Disconnect satellite radio tuner (factory installed) connector B137.
- Check voltage between the satellite radio tuner (factory installed) and ground.

Unit	Terminal No.			OFF	ACC	ON
	(+)		(-)			
	Connector	Terminal				
Satellite radio tuner (factory installed)	B137	32	Ground	Battery voltage	Battery voltage	Battery voltage
		36	Ground	0V	Battery voltage	Battery voltage



**OK or NG**

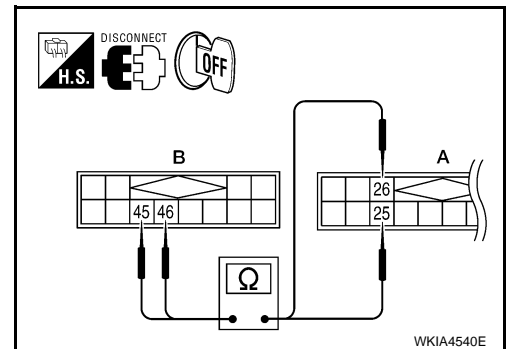
OK >> GO TO 3.

NG >> • Check connector housings for disconnected or loose terminals.  
• Repair harness or connector.

### 3. GROUND CIRCUIT CHECK

- Turn ignition switch OFF.
- Inspect satellite radio tuner (factory installed) case ground.
- Disconnect satellite radio tuner (factory installed) connector B137 (A) and audio unit connector M109 (B).
- Check continuity between satellite radio tuner (factory installed) and audio unit.

Terminals				Continuity
Satellite radio tuner		Audio unit		
Connector	Terminal	Connector	Terminal	
A: B137	25	B: M109	45	Yes
	26		46	



**OK or NG**

OK >> Inspection End.

NG >> • Check connector housings for disconnected or loose terminals.  
• Repair harness, connector or satellite radio tuner (factory installed) case ground.

## Satellite Radio Tuner (Factory Installed) Communication Circuit Inspection

INFOID:000000001721847

### 1. CHECK HARNESS - 1

- Turn ignition switch OFF.
- Disconnect satellite radio tuner (factory installed) connector B137 and audio unit connector M109.

# AUDIO

## < SERVICE INFORMATION >

3. Check continuity between satellite radio tuner (factory installed) harness connector B137 (A) terminal 28 and audio unit harness connector M109 (B) terminal 48

**Continuity should exist.**

4. Check continuity between satellite radio tuner (factory installed) harness connector B137 (A) terminal 28 and ground.

**Continuity should not exist.**

OK or NG

OK >> GO TO 2.

NG >> Repair harness or connector.

## 2.CHECK HARNESS - 2

1. Check continuity between satellite radio tuner (factory installed) harness connector B137 (A) terminal 29 and audio unit harness connector M109 (B) terminal 49

**Continuity should exist.**

2. Check continuity between satellite radio tuner (factory installed) harness connector B137 (A) terminal 29 and ground.

**Continuity should not exist.**

OK or NG

OK >> GO TO 3.

NG >> Repair harness or connector.

## 3.CHECK HARNESS - 3

1. Check continuity between satellite radio tuner (factory installed) harness connector B137 (A) terminal 30 and audio unit harness connector M109 (B) terminal 50

**Continuity should exist.**

2. Check continuity between satellite radio tuner (factory installed) harness connector B137 (A) terminal 30 and ground.

**Continuity should not exist.**

OK or NG

OK >> GO TO 4.

NG >> Repair harness or connector.

## 4.CHECK REQ1 SIGNAL

1. Connect satellite radio tuner (factory installed) connector and audio unit connector.
2. Turn ignition switch to ACC
3. Check signal between satellite radio tuner (factory installed) harness connector B137 terminal 28 and ground with CONSULT-III or oscilloscope.

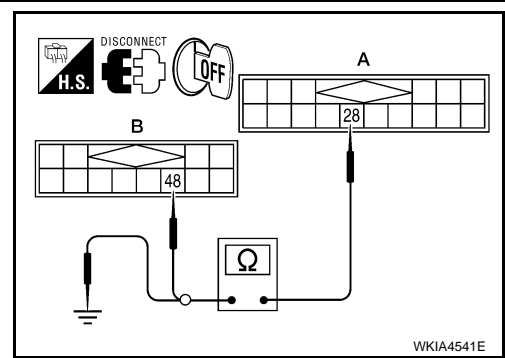
**28 - Ground**

**: Refer to [AV-46, "Terminal and Reference Value for Satellite Radio Tuner"](#).**

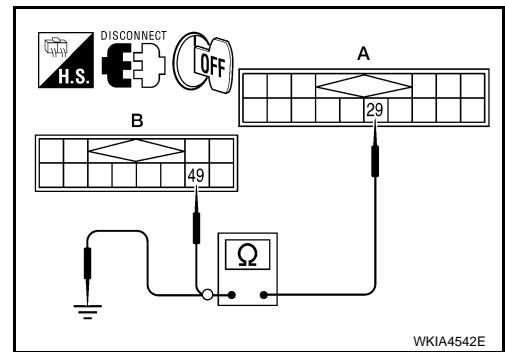
OK or NG

OK >> GO TO 5.

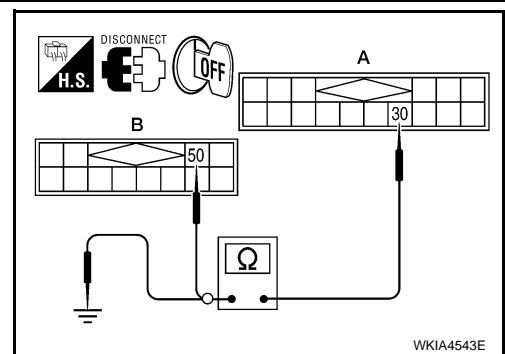
NG >> Replace audio unit. Refer to [AV-74, "Removal and Installation"](#).



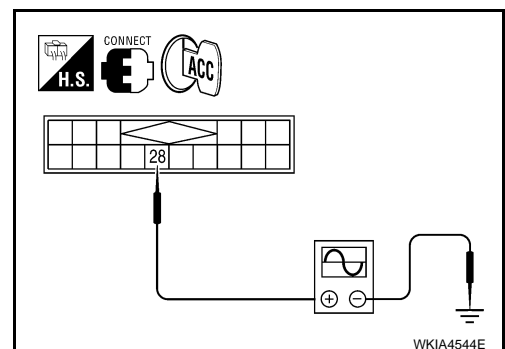
WKIA4541E



WKIA4542E



WKIA4543E



WKIA4544E

# AUDIO

## < SERVICE INFORMATION >

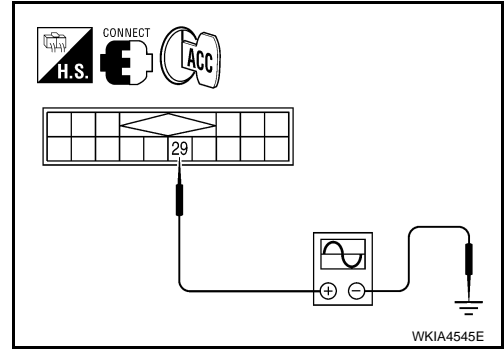
### 5. CHECK TXD SIGNAL

Check signal between satellite radio tuner (factory installed) harness connector B137 terminal 29 and ground with CONSULT-III or oscilloscope.

**29 - Ground** : Refer to [AV-46, "Terminal and Reference Value for Satellite Radio Tuner"](#).

#### OK or NG

- OK >> GO TO 6.
- NG >> Replace audio unit. Refer to [AV-74, "Removal and Installation"](#).



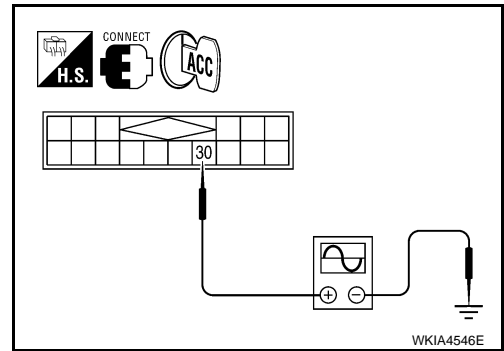
### 6. CHECK RXD SIGNAL

Check signal between satellite radio tuner (factory installed) harness connector B137 terminal 30 and ground with CONSULT-III or oscilloscope.

**30 - Ground** : Refer to [AV-46, "Terminal and Reference Value for Satellite Radio Tuner"](#).

#### OK or NG

- OK >> Replace satellite radio tuner. Refer to [AV-74, "Removal and Installation"](#).
- NG >> Replace audio unit. Refer to [AV-74, "Removal and Installation"](#).



## Satellite Radio Tuner (Factory Installed) Left Channel Audio Signal Circuit Inspection

INFOID:000000001721848

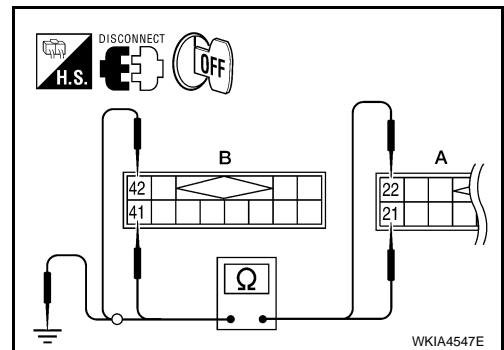
### 1. CHECK HARNESS

1. Turn ignition switch OFF.
2. Disconnect satellite radio tuner (factory installed) connector B137 (A) and audio unit connector M109 (B).
3. Check continuity between satellite radio tuner (factory installed) and audio unit.

Terminals				Continuity
Satellite radio tuner		Audio unit		
Connector	Terminal	Connector	Terminal	
A: B137	21	B: M109	41	Yes
	22		42	

4. Check continuity between satellite radio tuner (factory installed) and ground.

Terminals				Continuity
Satellite radio tuner		—		
Connector	Terminal			
A: B137	21	Ground		No
	22			



#### OK or NG

- OK >> GO TO 2.
- NG >> Repair harness or connector.

### 2. CHECK LEFT CHANNEL AUDIO SIGNAL

1. Connect satellite radio tuner (factory installed) and audio unit.

# AUDIO

## < SERVICE INFORMATION >

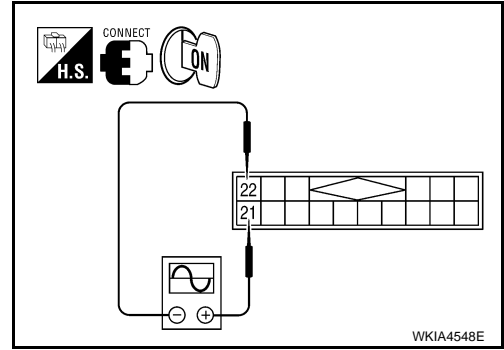
- Turn ignition switch ON.
- Check signal between satellite radio tuner (factory installed) connector B137 terminals 21 and 22 with CONSULT-III or oscilloscope.

21 - 22

: Refer to [AV-46, "Terminal and Reference Value for Satellite Radio Tuner"](#).

### OK or NG

- OK >> Replace satellite radio tuner. Refer to [AV-74, "Removal and Installation"](#).
- NG >> Replace audio unit. Refer to [AV-74, "Removal and Installation"](#).



## Satellite Radio Tuner (Factory Installed) Right Channel Audio Signal Circuit Inspection

INFOID:000000001721849

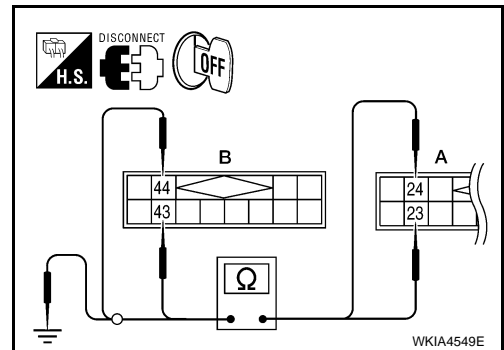
### 1. CHECK HARNESS

- Turn ignition switch OFF.
- Disconnect satellite radio tuner (factory installed) connector B137 (A) and audio unit connector M109 (B).
- Check continuity between satellite radio tuner (factory installed) and audio unit.

Terminals				Continuity
Satellite radio tuner		Audio unit		
Connector	Terminal	Connector	Terminal	
A: B137	23	B: M109	43	Yes
	24		44	

- Check continuity between satellite radio tuner (factory installed) and ground.

Terminals			Continuity
Satellite radio tuner			
Connector	Terminal		
A: B137	23	Ground	No
	24		



### OK or NG

- OK >> GO TO 2.
- NG >> Repair harness or connector.

### 2. CHECK RIGHT CHANNEL AUDIO SIGNAL

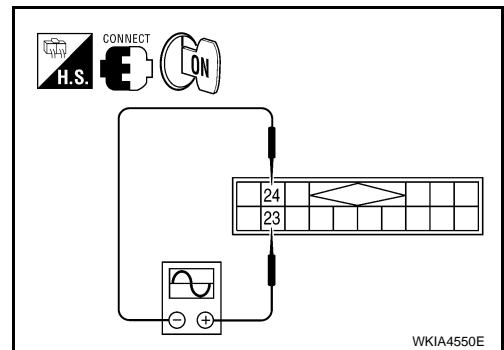
- Connect satellite radio tuner (factory installed) and audio unit.
- Turn ignition switch ON.
- Check signal between satellite radio tuner (factory installed) connector B137 terminals 23 and 24 with CONSULT-III or oscilloscope.

23 - 24

: Refer to [AV-46, "Terminal and Reference Value for Satellite Radio Tuner"](#).

### OK or NG

- OK >> Replace satellite radio tuner. Refer to [AV-74, "Removal and Installation"](#).
- NG >> Replace audio unit. Refer to [AV-74, "Removal and Installation"](#).



# AUDIO

< SERVICE INFORMATION >

## Steering Switch Check (Without Bluetooth or NAVI)

INFOID:000000001721850

### 1. AUDIO UNIT SELF-DIAGNOSIS MODE CHECK

1. Start audio unit self-diagnosis mode. Refer to [AV-104, "Self-Diagnosis Mode"](#).
2. Operate steering switch.

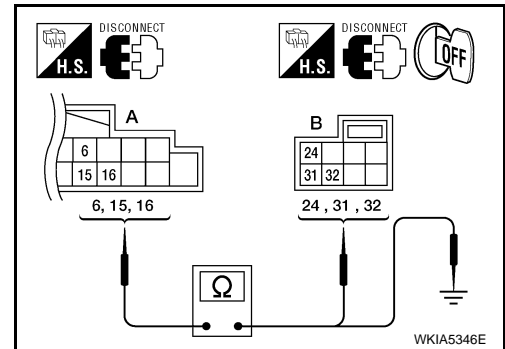
Does steering switch operate normally?

- YES >> Inspection End.  
NO >> GO TO 2.

### 2. CHECK HARNESS

1. Turn ignition switch OFF.
2. Disconnect audio unit connector M51 and spiral cable connector M30.
3. Check continuity between audio unit (A) connector terminal and spiral cable (B) connector terminal.

Terminals				Continuity
A		B		
Connector	Terminal	Connector	Terminal	
M51	6	M30	24	Yes
	15		31	
	16		32	



4. Check continuity between audio unit and ground.

Terminals			Continuity
A		(-)	
Connector	Terminal		
M51	6	Ground	No
	15		
	16		

OK or NG

- OK >> GO TO 3.  
NG >> Repair harness.

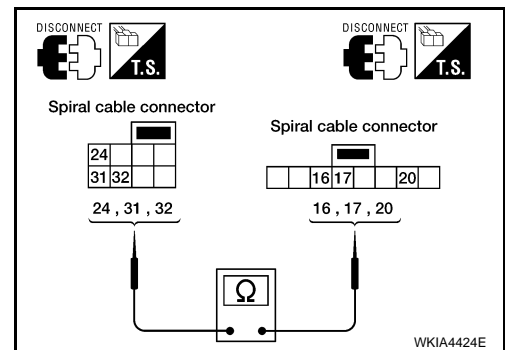
### 3. SPIRAL CABLE CHECK

1. Disconnect spiral cable connector M102.
2. Check continuity between spiral cable terminals.

- 16 - 32 : Continuity should exist.**  
**17 - 31 : Continuity should exist.**  
**20 - 24 : Continuity should exist.**

OK or NG

- OK >> GO TO 4.  
NG >> Replace spiral cable. Refer to [SRS-35](#).



### 4. CHECK STEERING SWITCH RESISTANCE

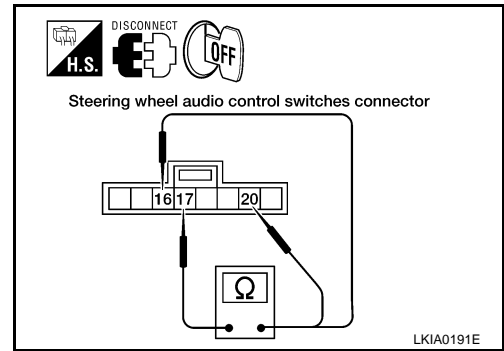
Check resistance between spiral cable connector M102 terminals.



# AUDIO

## < SERVICE INFORMATION >

Terminal	Signal name	Condition	Resistance (Ω) (Approx.)	
16	17	Seek (down)	Depress (station) down switch.	165
		Power	Depress power switch.	0
		Volume (down)	Depress volume down switch.	487
20	17	Seek (up)	Depress (station) up switch.	165
		Mode	Depress mode switch.	0
		Volume (up)	Depress volume up switch.	487



### OK or NG

- OK >> Inspection End.
- NG >> Replace steering switch. Refer to [AV-74. "Removal and Installation"](#).

## Steering Switch Check (With Bluetooth and without NAVI)

INFOID:000000001721851

### 1. AUDIO UNIT SELF-DIAGNOSIS MODE CHECK

1. Start audio unit self-diagnosis mode. Refer to [AV-104. "Self-Diagnosis Mode"](#).
2. Operate steering switch.

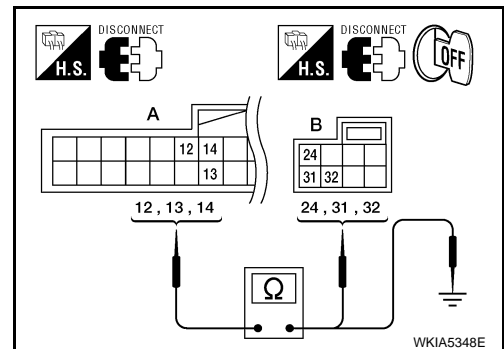
#### Does steering switch operate normally?

- YES >> Inspection End.
- NO >> GO TO 2.

### 2. CHECK HARNESS

1. Turn ignition switch OFF.
2. Disconnect bluetooth control unit connector and spiral cable connector M30.
3. Check continuity between bluetooth control unit (A) connector B41 terminals 12, 14, and 13 and spiral cable (B) connector M30 terminals 24, 31, and 32.

Terminals				Continuity
A		B		
Connector	Terminal	Connector	Terminal	
B41	12	M30	24	Yes
	13		32	
	14		31	



4. Check continuity between bluetooth control unit and ground.

Terminals			Continuity
(+)		(-)	
Connector	Terminal		
B41	12	Ground	No
	13		
	14		

### OK or NG

- OK >> GO TO 3.
- NG >> Repair harness.

### 3. CHECK HARNESS

1. Disconnect audio unit connector.
2. Check continuity between audio unit (A) connector M51 terminals 6, 15, and 16 and bluetooth control unit (B) connector B41 terminals 17, 19, and 18.

# AUDIO

## < SERVICE INFORMATION >

Terminals				Continuity
(A)		(B)		
Connector	Terminal	Connector	Terminal	
M51	6	B41	17	Yes
	15		19	
	16		18	

3. Check continuity between audio unit and ground.

Terminals			Continuity
(+)		(-)	
Connector	Terminal		
M51	6	Ground	No
	15		
	16		

OK or NG

OK >> GO TO 4.

NG >> Repair harness.

### 4. SPIRAL CABLE CHECK

1. Disconnect spiral cable connector M102.
2. Check continuity between spiral cable terminals.

**16 - 32 : Continuity should exist.**

**17 - 31 : Continuity should exist.**

**20 - 24 : Continuity should exist.**

OK or NG

OK >> GO TO 5.

NG >> Replace spiral cable. Refer to [SRS-35](#).

### 5. CHECK STEERING SWITCH RESISTANCE

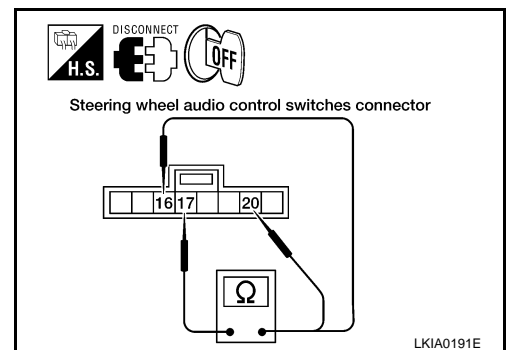
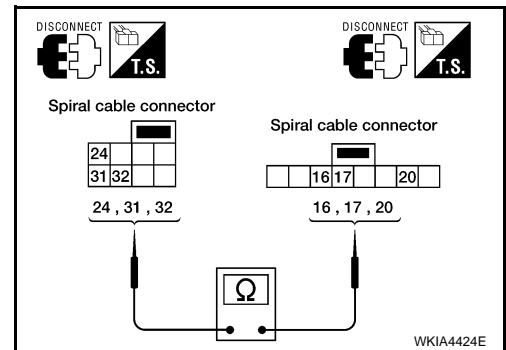
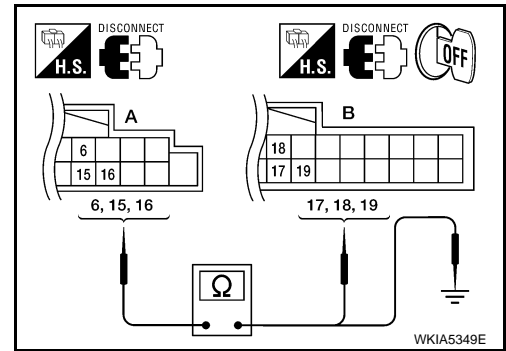
Check resistance between spiral cable connector M102 terminals.

Terminal	Signal name	Condition	Resistance (Ω) (Approx.)
16	17	Seek (down)	Depress (station) down switch. 165
		Power (Phone/Send)	Depress power switch. 0
		Volume (down)	Depress volume down switch. 487
20	17	Seek (up)	Depress (station) up switch. 165
		Mode (Phone/End)	Depress mode switch. 0
		Volume (up)	Depress volume up switch. 487

OK or NG

OK >> Inspection End.

NG >> Replace steering switch. Refer to [AV-74. "Removal and Installation"](#).



# AUDIO

< SERVICE INFORMATION >

## Steering Switch Check (with NAVI)

INFOID:000000001721852

### 1. AV SWITCH SELF-DIAGNOSIS FUNCTION CHECK

1. Start AV switch self-diagnosis function. Refer to [AV-145, "AV Switch Self-Diagnosis Function"](#).
2. Operate steering switch.

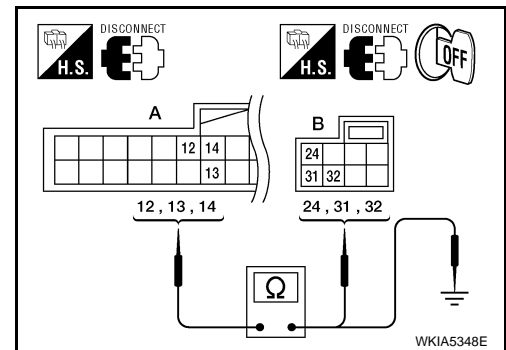
Does steering switch operate normally?

- YES >> Inspection End.  
NO >> GO TO 2.

### 2. CHECK HARNESS

1. Turn ignition switch OFF.
2. Disconnect bluetooth control unit connector and spiral cable connector M30.
3. Check continuity between bluetooth control unit (A) connector B41 terminals 12, 14, and 13 and spiral cable (B) connector M30 terminals 24, 31, and 32.

Terminals				Continuity
A		B		
Connector	Terminal	Connector	Terminal	
B41	12	M30	24	Yes
	13		32	
	14		31	



4. Check continuity between bluetooth control unit and ground.

Terminals			Continuity
(+)		(-)	
Connector	Terminal		
B41	12	Ground	No
	13		
	14		

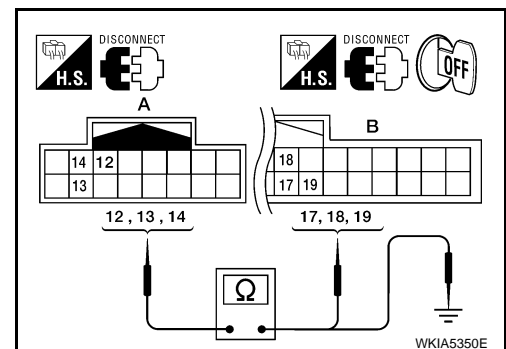
OK or NG

- OK >> GO TO 3.  
NG >> Repair harness.

### 3. CHECK HARNESS

1. Disconnect AV switch connector.
2. Check continuity between AV switch (A) connector M98 terminals 12, 13, and 14 and bluetooth control unit (B) connector B41 terminals 17, 18, and 19.

Terminals				Continuity
(A)		(B)		
Connector	Terminal	Connector	Terminal	
M98	12	B41	17	Yes
	13		18	
	14		19	



OK or NG

- OK >> GO TO 4.  
NG >> Repair harness.

### 4. SPIRAL CABLE CHECK

1. Disconnect spiral cable connector M102.

# AUDIO

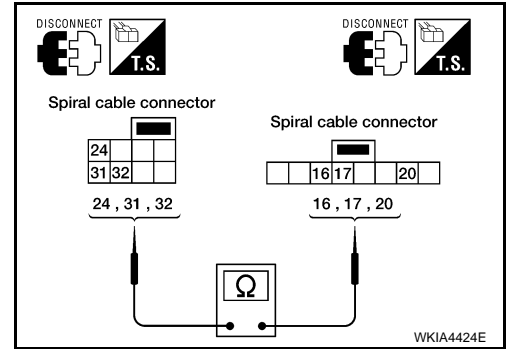
## < SERVICE INFORMATION >

2. Check continuity between spiral cable terminals.

- 16 - 32 : Continuity should exist.**
- 17 - 31 : Continuity should exist.**
- 20 - 24 : Continuity should exist.**

### OK or NG

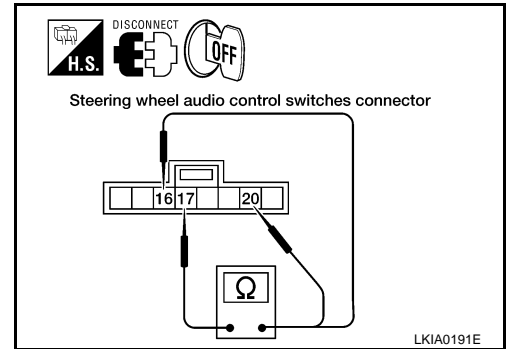
- OK >> GO TO 4.
- NG >> Replace spiral cable. Refer to [SRS-35](#).



## 5. CHECK STEERING SWITCH RESISTANCE

Check resistance between spiral cable connector M102 terminals.

Terminal	Signal name	Condition	Resistance (Ω) (Approx.)
16	17	Seek (down)	Depress (station) down switch. 165
		Power (Phone/Send)	Depress power switch. 0
		Volume (down)	Depress volume down switch. 487
20	17	Seek (up)	Depress (station) up switch. 165
		Mode (Phone/End)	Depress mode switch. 0
		Volume (up)	Depress volume up switch. 487



### OK or NG

- OK >> Inspection End.
- NG >> Replace steering switch. Refer to [AV-74, "Removal and Installation"](#).

## AV Switch Check (With NAVI)

INFOID:000000001721853

### 1. AV SWITCH SELF-DIAGNOSIS FUNCTION CHECK

Perform AV switch self-diagnosis function. Refer to [AV-46, "AV Switch Self-Diagnosis Function \(With NAVI\)"](#).

Does AV switch operate normally?

- YES >> Inspection End.
- NO >> Replace AV switch. Refer to [AV-74, "Removal and Installation"](#).

## Audio Communication Line Check (With Navigation System)

INFOID:000000001721854

### 1. CHECK AUDIO COMMUNICATION LINE

Start audio communication line check. Refer to [AV-154, "Audio Communication Line Check \(Between Display Control Unit and Audio Unit\)"](#).

### OK or NG

- OK >> Inspection End.
- NG >> Replace malfunctioning part.

## Sound Is Not Heard from Front Door Speaker or Tweeter (Base System)

INFOID:000000001721855

### 1. HARNESS CHECK

1. Disconnect audio unit connector and front door speaker and tweeter connector (LH or RH).

# AUDIO

## < SERVICE INFORMATION >

- Check continuity between audio unit (A) connector terminal and suspect speaker or tweeter (B) connector terminal.

Terminals				Continuity
A		B		
Connector	Terminal	Connector	Terminal	
M51	2	D3	+	Yes
	3		-	
	11	D103	+	
	12		-	
	2	D12	+	
	3		-	
	11	D112	+	
	12		-	

- Check continuity between audio unit harness connector terminal and ground.

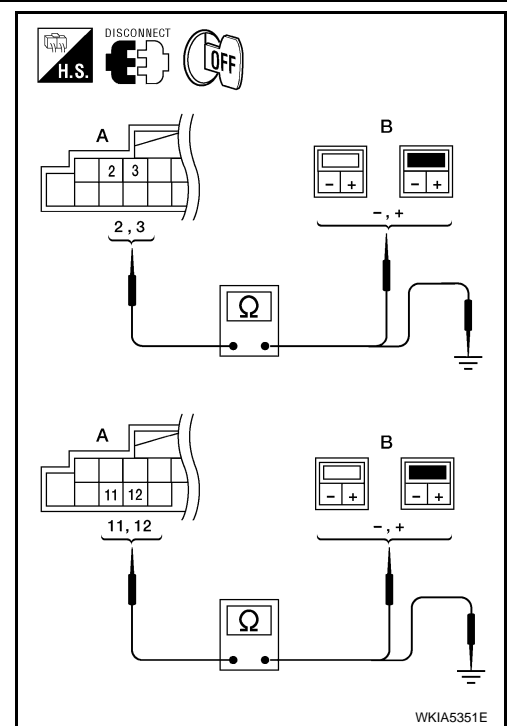
Terminals			Continuity
Audio unit		—	
Connector	Terminal		
M51	2	Ground	No
	3		
	11		
	12		

### OK or NG

- OK >> GO TO 2.  
 NG >> • Check connector housings for disconnected or loose terminals.  
 • Repair harness or connector.

## 2. FRONT SPEAKER SIGNAL CHECK

- Connect audio unit connector and suspect speaker or tweeter connector.
- Turn ignition switch to ACC.
- Push "POWER" switch.



A  
B  
C  
D  
E  
F  
G  
H  
I  
J  
L  
M  
N  
O  
P

AV

# AUDIO

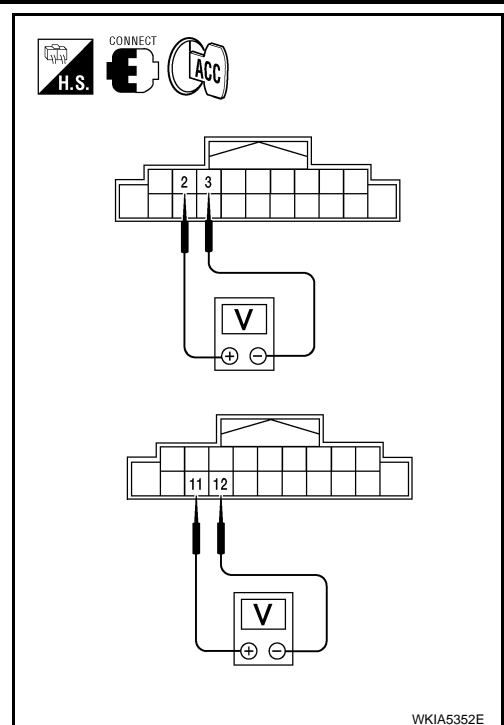
## < SERVICE INFORMATION >

- Check the signal between audio unit harness connector terminals with CONSULT-III or oscilloscope.

Terminals				Condition	Reference signal
(+)		(-)			
Connector	Terminal	Connector	Terminal		
M51	2	M51	3	Receive audio signal	
	11		12		

### OK or NG

- OK >> Replace speaker. Refer to [AV-74, "Removal and Installation"](#) or [AV-74, "Removal and Installation"](#).
- NG >> Replace audio unit. Refer to [AV-74, "Removal and Installation"](#).



## Sound Is Not Heard from Rear Door Speaker (Base System)

INFOID:000000001721856

### 1. HARNESS CHECK

- Disconnect audio unit connector and rear door speaker connector.
- Check continuity between audio unit (A) connector terminal and rear door speaker (B) connector terminal.

Terminals				Continuity
A		B		
Connector	Terminal	Connector	Terminal	
M51	5	D202	-	Yes
	4		+	
	14	D302	-	
	13		+	

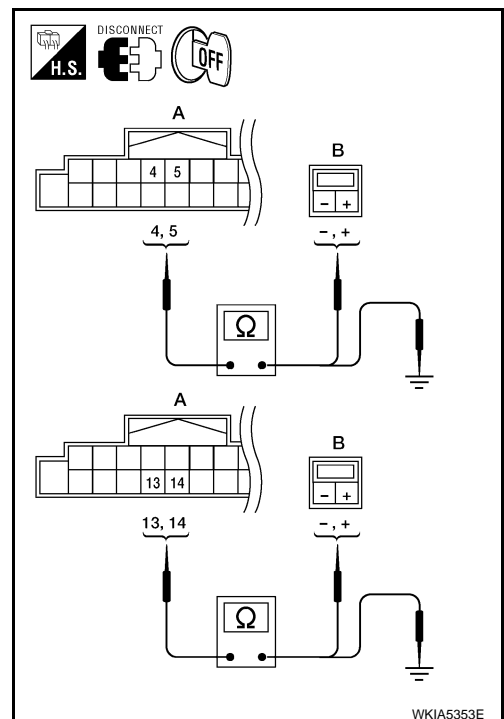
- Check continuity between audio unit harness connector terminal and ground.

Terminals			Continuity
Audio unit		-	
Connector	Terminal		
M51	5	Ground	No
	4		
	14		
	13		

### OK or NG

- OK >> GO TO 2.
- NG >> • Check connector housings for disconnected or loose terminals.  
• Repair harness or connector.

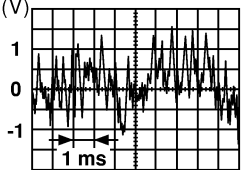
### 2. REAR SPEAKER SIGNAL CHECK



# AUDIO

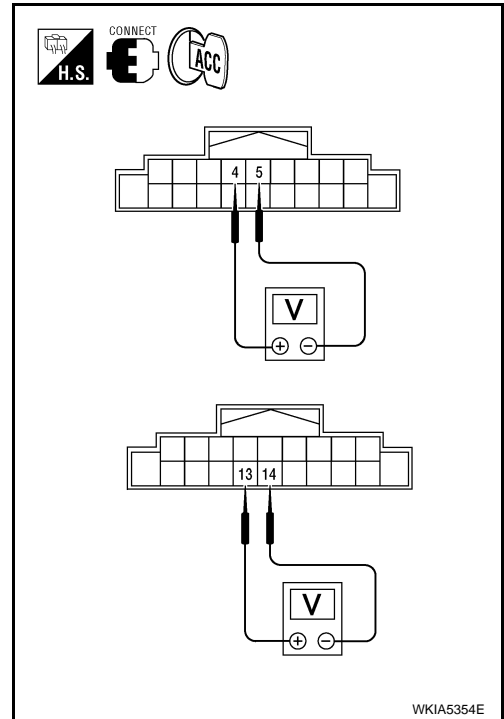
## < SERVICE INFORMATION >

1. Connect audio unit connector and rear speaker connector.
2. Turn ignition switch to ACC.
3. Push "POWER" switch.
4. Check the signal between audio unit harness connector terminals with CONSULT-III or oscilloscope.

Terminals				Condi- tion	Reference signal
(+)		(-)			
Con- nector	Termi- nal	Con- nector	Termi- nal		
M51	4	M51	5	Receive audio signal	
	13		14		

### OK or NG

- OK >> Replace speaker. Refer to [AV-74, "Removal and Installation"](#).
- NG >> Replace audio unit. Refer to [AV-74, "Removal and Installation"](#).



## Sound Is Not Heard from Front Door Speaker or Tweeter (BOSE System)

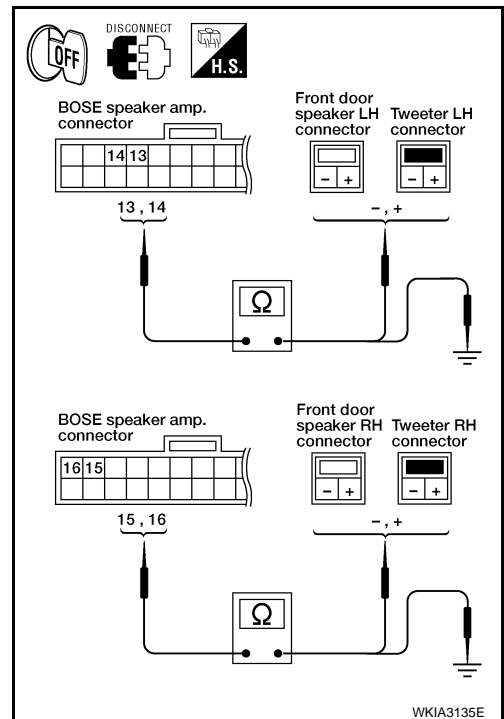
INFOID:000000001721857

### 1. HARNESS CHECK

1. Disconnect BOSE speaker amp. connector and front door speaker and tweeter connector (LH or RH).
2. Check continuity between BOSE speaker amp. harness connector terminal and front door speaker harness connector terminal.

Terminals				Continuity
BOSE speaker amp.		Speaker or tweeter		
Connector	Terminal	Connector	Terminal	
B128	13	D3	+	Yes
	14		-	
	15	D103	+	
	16		-	
	13	D12	+	
	14		-	
	15	D112	+	
	16		-	

3. Check continuity between BOSE speaker amp. harness connector terminal and ground.



# AUDIO

## < SERVICE INFORMATION >

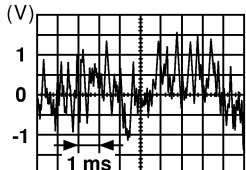
Terminals		Continuity	
BOSE speaker amp.			
Connector	Terminal	—	
B128	13	Ground	No
	14		
	15		
	16		

### OK or NG

- OK >> GO TO 2.  
 NG >> • Check connector housings for disconnected or loose terminals.  
 • Repair harness or connector.

## 2. FRONT SPEAKER SIGNAL CHECK

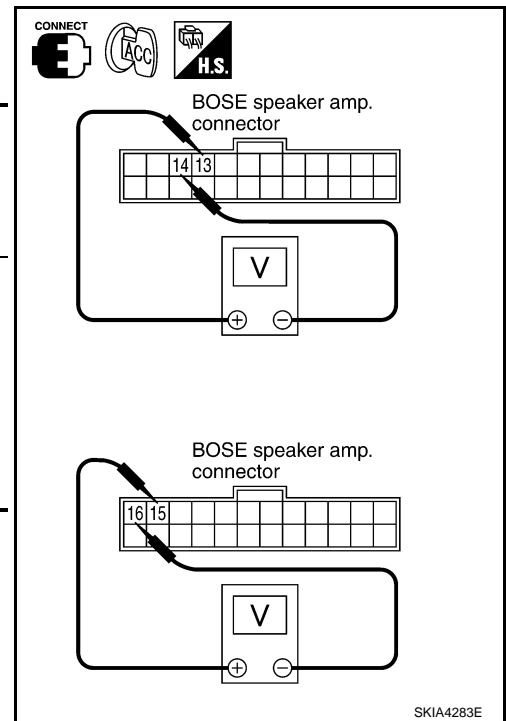
1. Connect BOSE speaker amp. connector and front door speaker and tweeter connector.
2. Turn ignition switch to ACC.
3. Push "POWER" switch.
4. Check the signal between BOSE speaker amp. harness connector terminals with CONSULT-III or oscilloscope.

Terminals				Condition	Reference signal
(+)		(-)			
Connector	Terminal	Connector	Terminal		
B128	13	B128	14	Receive audio signal	
	15		16		

SKIA0177E

### OK or NG

- OK >> Replace speaker. Refer to [AV-74. "Removal and Installation"](#) or [AV-74. "Removal and Installation"](#).  
 NG >> GO TO 3 (without NAVI).  
 >> GO TO 4 (with NAVI).



## 3. HARNESS CHECK (WITHOUT NAVI)

1. Turn ignition switch OFF.
2. Disconnect audio unit connector and BOSE speaker amp. connector.



# AUDIO

## < SERVICE INFORMATION >

- Check continuity between audio unit (A) connector terminal and BOSE speaker amp. (B) connector terminal.

Terminals				Continuity
(A)		(B)		
Connector	Terminal	Connector	Terminal	
M51	3	B128	29	Yes
	2		30	
	12		27	
	11		28	

- Check continuity between audio unit harness connector terminal and ground.

Terminals				Continuity
Audio unit		—		
Connector	Terminal			
M51	3	Ground		No
	2			
	12			
	11			

**OK or NG**

OK >> GO TO 5.

- NG >> • Check connector housings for disconnected or loose terminals.  
 • Repair harness or connector.

## 4. HARNESS CHECK (WITH NAVI)

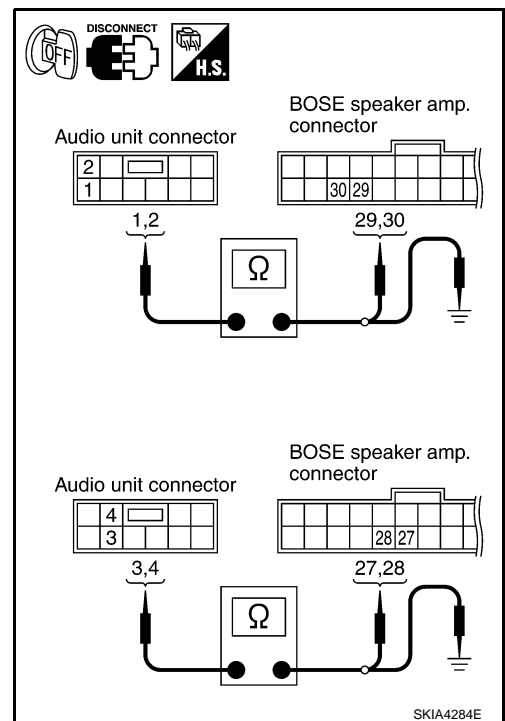
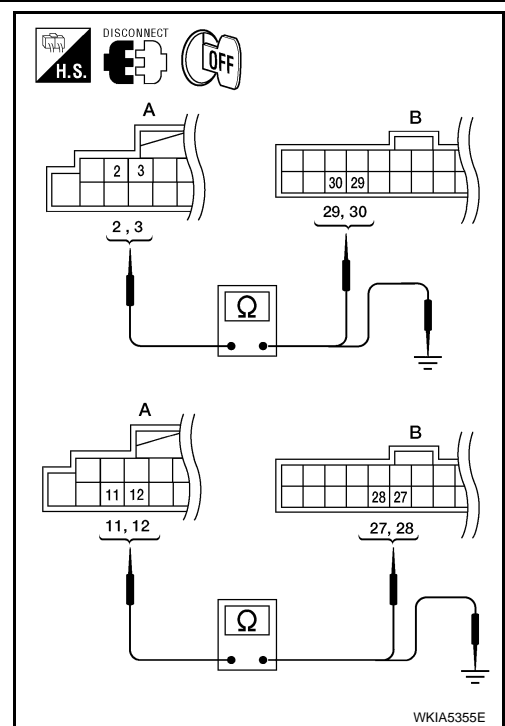
- Turn ignition switch OFF.
- Disconnect audio unit connector and BOSE speaker amp. connector.
- Check continuity between audio unit harness connector terminal and BOSE speaker amp. harness connector terminal.

Terminals				Continuity
Audio unit		BOSE speaker amp.		
Connector	Terminal	Connector	Terminal	
M43	1	B128	29	Yes
	2		30	
	3		27	
	4		28	

- Check continuity between audio unit harness connector terminal and ground.

Terminals				Continuity
Audio unit		—		
Connector	Terminal			
M43	1	Ground		No
	2			
	3			
	4			

**OK or NG**



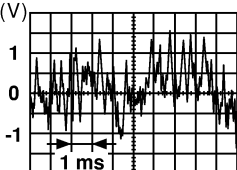
# AUDIO

## < SERVICE INFORMATION >

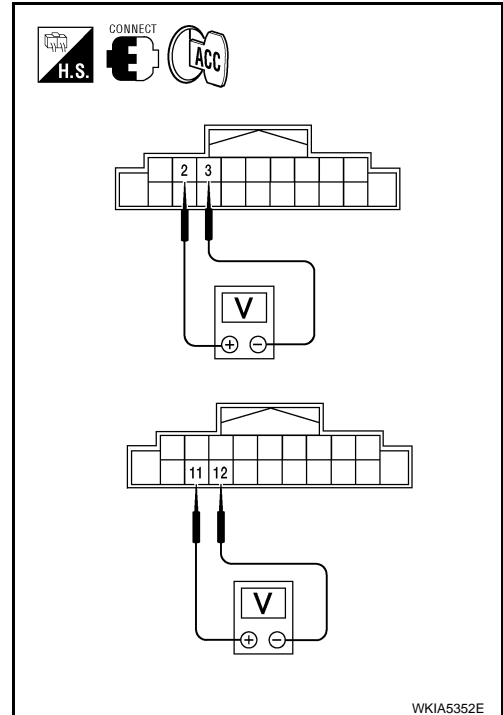
- OK >> GO TO 6.  
 NG >> • Check connector housings for disconnected or loose terminals.  
 • Repair harness or connector.

### 5.FRONT SPEAKER SIGNAL CHECK (WITHOUT NAVI)

1. Connect audio unit connector and BOSE speaker amp. connector.
2. Turn ignition switch to ACC.
3. Push "POWER" switch.
4. Check the signal between audio unit connector terminals with CONSULT-III or oscilloscope.

Terminals				Condi- tion	Reference signal
(+) (+)		(-) (-)			
Con- nector	Termi- nal	Con- nector	Termi- nal		
M51	2	M51	3	Receive audio signal	
	11		12		

SKIA0177E

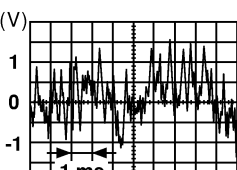


#### OK or NG

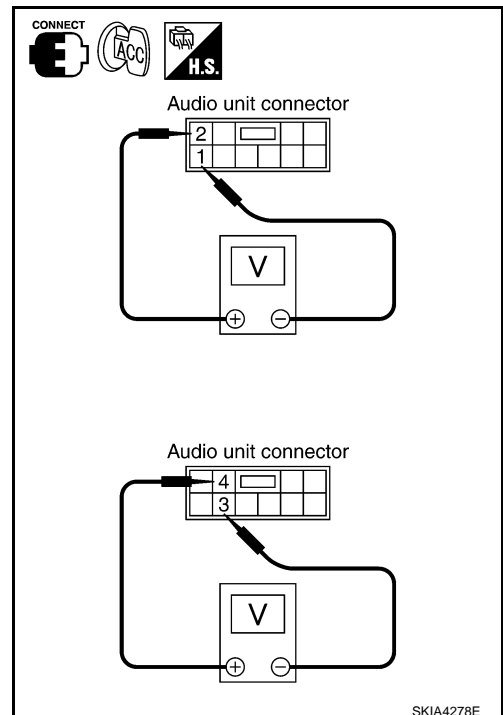
- OK >> Replace BOSE speaker amp. Refer to [AV-74, "Removal and Installation"](#).  
 NG >> Replace audio unit. Refer to [AV-74, "Removal and Installation"](#).

### 6.FRONT SPEAKER SIGNAL CHECK (WITH NAVI)

1. Connect audio unit connector and BOSE speaker amp. connector.
2. Turn ignition switch to ACC.
3. Push "POWER" switch.
4. Check the signal between audio unit harness connector terminals with CONSULT-III or oscilloscope.

Terminals				Condi- tion	Reference signal
(+) (+)		(-) (-)			
Con- nector	Termi- nal	Con- nector	Termi- nal		
M43	2	M43	1	Receive audio signal	
	4		3		

SKIA0177E



#### OK or NG

- OK >> Replace BOSE speaker amp. Refer to [AV-74, "Removal and Installation"](#).  
 NG >> Replace audio unit. Refer to [AV-74, "Removal and Installation"](#).

# AUDIO

< SERVICE INFORMATION >

## Sound Is Not Heard from Rear Door Speaker (BOSE System)

INFOID:000000001721858

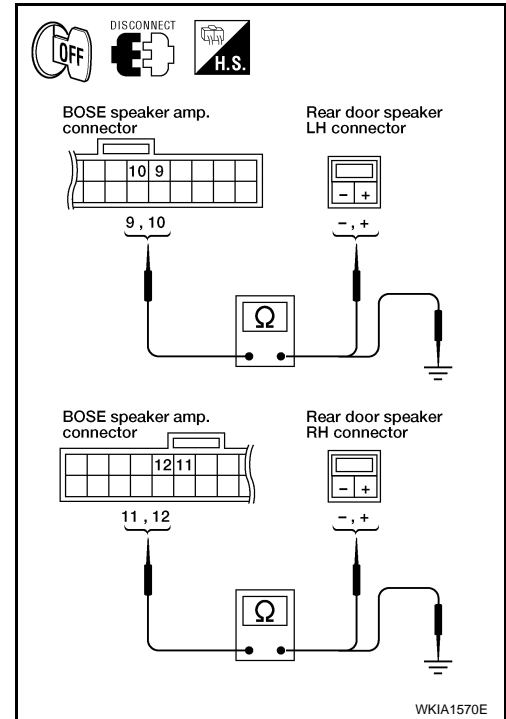
### 1. HARNESS CHECK

1. Disconnect BOSE speaker amp. connector and rear door speaker connector.
2. Check continuity between BOSE speaker amp. harness connector terminal and speaker harness connector terminal.

Terminals				Continuity
BOSE speaker amp.		Speaker		
Connector	Terminal	Connector	Terminal	
B128	9	D202	+	Yes
	10		-	
	11	D302	+	
	12		-	

3. Check continuity between BOSE speaker amp. harness connector terminal and ground.

Terminals			Continuity
BOSE speaker amp.		—	
Connector	Terminal		
B128	9	Ground	No
	10		
	11		
	12		



#### OK or NG

- OK >> GO TO 2.
- NG >> • Check connector housings for disconnected or loose terminals.  
• Repair harness or connector.

### 2. REAR SPEAKER SIGNAL CHECK

1. Connect BOSE speaker amp. connector and rear door speaker connector.
2. Turn ignition switch to ACC.
3. Push "POWER" switch.

# AUDIO

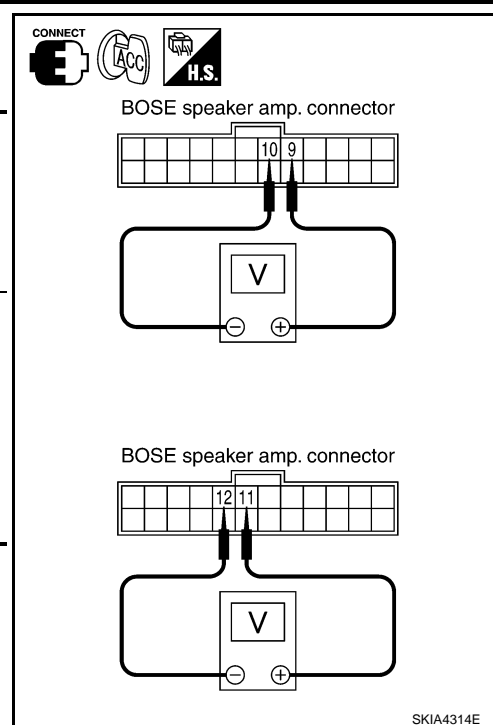
## < SERVICE INFORMATION >

4. Check the signal between BOSE speaker amp. harness connector terminals with CONSULT-III or oscilloscope.

Terminals				Condi- tion	Reference signal
(+)		(-)			
Con- nec- tor	Termi- nal	Con- nec- tor	Termi- nal		
B128	9	B128	10	Re- ceive audio signal	
	11		12		

### OK or NG

- OK >> Replace speaker. Refer to [AV-74, "Removal and Installation"](#).
- NG >> GO TO 3 (without NAVI).  
>> GO TO 4 (with NAVI).



## 3. HARNESS CHECK (WITHOUT NAVI)

1. Turn ignition switch OFF.
2. Disconnect audio unit connector M44 and BOSE speaker amp. connector B128.
3. Check continuity between audio unit harness connector terminal and BOSE speaker amp. harness connector terminal.

Terminals				Continuity
Audio unit		BOSE speaker amp.		
Connector	Terminal	Connector	Terminal	
M51	5	B128	25	Yes
	4		26	
	14		23	
	13		24	

4. Check continuity between audio unit harness connector terminal and ground.

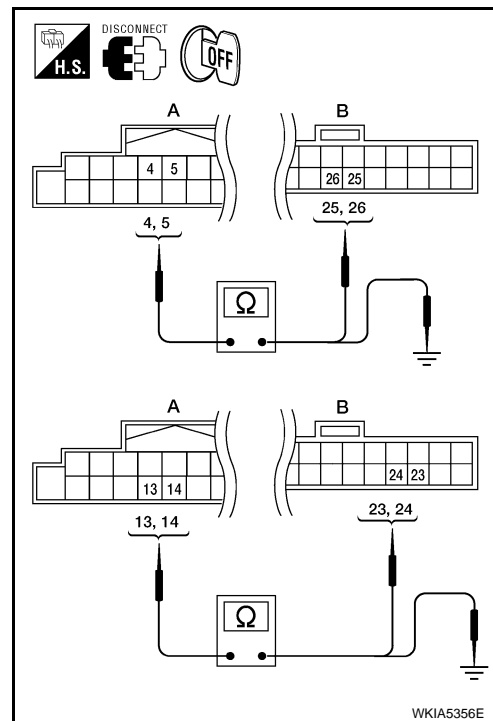
Terminals			Continuity
Audio unit		—	
Connector	Terminal		
M51	4	Ground	No
	5		
	13		
	14		

### OK or NG

- OK >> GO TO 5.
- NG >> • Check connector housings for disconnected or loose terminals.  
• Repair harness or connector.

## 4. HARNESS CHECK (WITH NAVI)

1. Turn ignition switch OFF.



# AUDIO

## < SERVICE INFORMATION >

- Disconnect audio unit connector M44 and BOSE speaker amp. connector B128.
- Check continuity between audio unit harness connector terminal and BOSE speaker amp. harness connector terminal.

Terminals				Continuity
Audio unit		BOSE speaker amp.		
Connector	Terminal	Connector	Terminal	
M44	13	B128	25	Yes
	14		26	
	15		23	
	16		24	

- Check continuity between audio unit harness connector terminal and ground.

Terminals				Continuity
Audio unit		—		
Connector	Terminal			
M44	13	Ground		No
	14			
	15			
	16			

### OK or NG

- OK >> GO TO 6.  
 NG >> • Check connector housings for disconnected or loose terminals.  
 • Repair harness or connector.

## 5. REAR SPEAKER SIGNAL CHECK (WITHOUT NAVI)

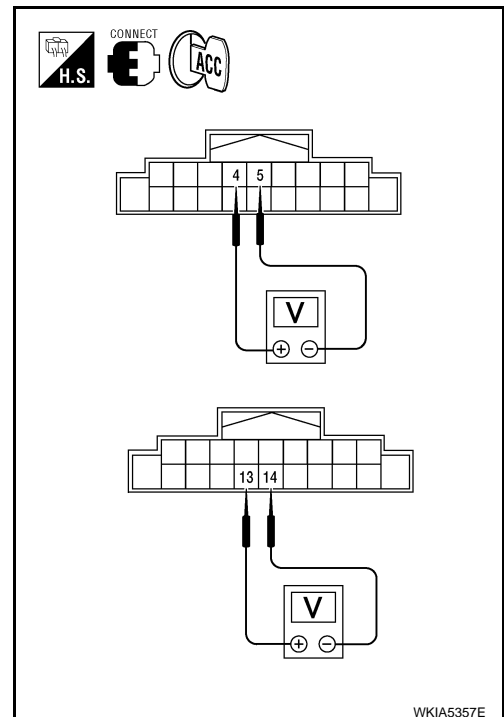
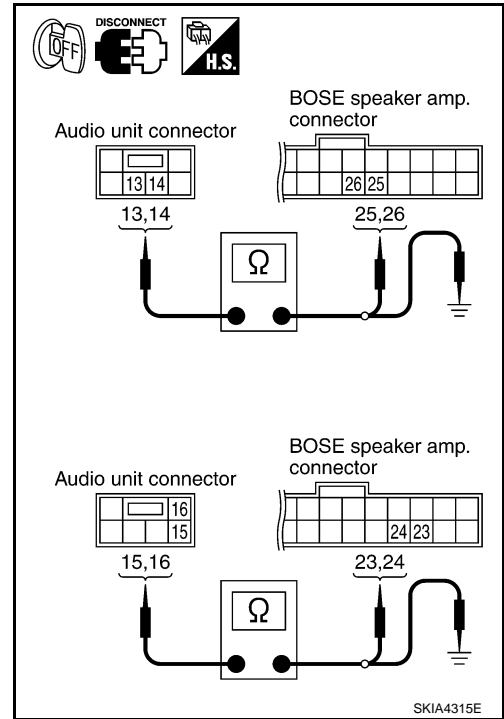
- Connect audio unit connector and BOSE speaker amp. connector.
- Turn ignition switch to ACC.
- Push "POWER" switch.
- Check the signal between audio unit harness connector terminals with CONSULT-III or oscilloscope.

Terminals				Condition	Reference signal
(+) (+)		(-) (-)			
Connector	Terminal	Connector	Terminal		
M51	5	M51	4	Receive audio signal	
	14		13		

### OK or NG

- OK >> Replace BOSE speaker amp. Refer to [AV-74. "Removal and Installation"](#).  
 NG >> Replace audio unit. Refer to [AV-74. "Removal and Installation"](#).

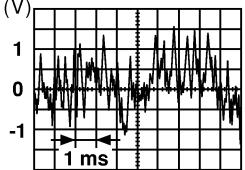
## 6. REAR SPEAKER SIGNAL CHECK (WITH NAVI)



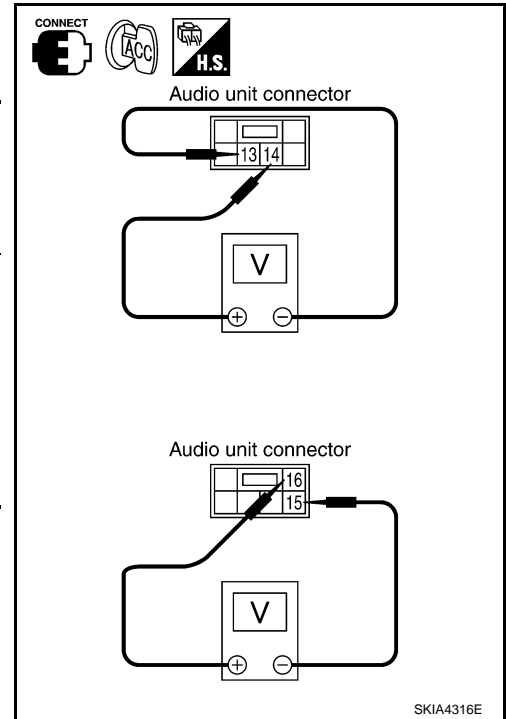
# AUDIO

## < SERVICE INFORMATION >

1. Connect audio unit connector and BOSE speaker amp. connector.
2. Turn ignition switch to ACC.
3. Push "POWER" switch.
4. Check the signal between audio unit harness connector terminals with CONSULT-III or oscilloscope.

Terminals				Condition	Reference signal
(+)		(-)			
Con-connector	Terminal	Con-connector	Terminal		
M44	14	M44	13	Receive audio signal	 (V) 1 0 -1 1 ms
	16		15		

SKIA0177E



### OK or NG

- OK >> Replace BOSE speaker amp. Refer to [AV-74, "Removal and Installation"](#).
- NG >> Replace audio unit. Refer to [AV-74, "Removal and Installation"](#).

## Sound Is Not Heard from Subwoofers (Base System)

INFOID:000000001721859

### 1. CHECK FUSE

Check that the following fuse is not blown.

Unit	Terminals	Signal name	Fuse No.
Subwoofer amp.	9	Ignition switch ACC or ON	4

### OK or NG

- OK >> GO TO 2.
- NG >> If fuse is blown, be sure to eliminate cause of problem before installing new fuse. Refer to [PG-3](#).

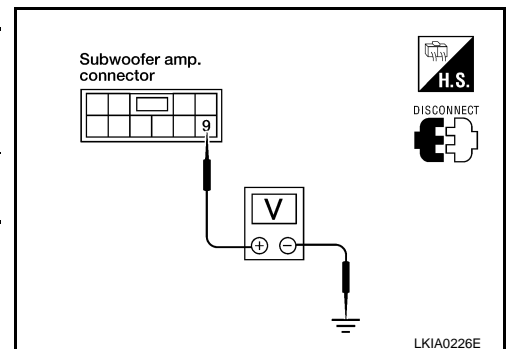
### 2. POWER SUPPLY CIRCUIT CHECK

1. Disconnect subwoofer amp. connector.
2. Check voltage between the subwoofer amp. and ground.

Unit	Terminal No.			OFF	ACC	ON
	(+)		(-)			
	Connector	Terminal				
Subwoofer amp.	B133	9	Ground	0V	Battery voltage	Battery voltage

### OK or NG

- OK >> GO TO 3.
- NG >> • Check connector housings for disconnected or loose terminals.  
• Repair harness or connector.



### 3. GROUND CIRCUIT CHECK

1. Turn ignition switch OFF.

# AUDIO

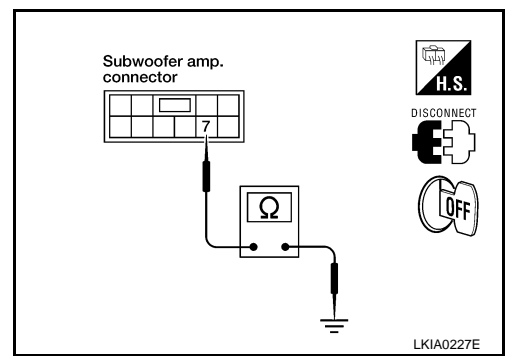
## < SERVICE INFORMATION >

- Check continuity between subwoofer amp. harness connector B133 terminal 7 and ground.

**Continuity should exist.**

### OK or NG

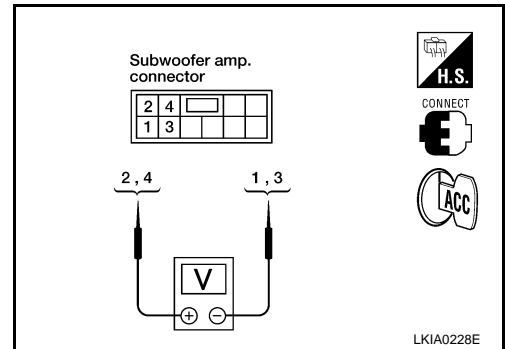
- OK >> GO TO 4.  
 NG >> • Check connector housings for disconnected or loose terminals.  
 • Repair harness or connector.



## 4.SUBWOOFER AMP. INPUT SIGNAL CHECK

- Connect subwoofer amp. connector.
- Turn ignition switch to ACC.
- Check the signal between subwoofer amp. harness connector terminals with CONSULT-III or oscilloscope.

Terminals				Condi- tion	Reference signal
(+) (+)		(-) (-)			
Con- nec- tor	Ter- minal	Con- nec- tor	Ter- minal		
B133	1	B133	2	Receive audio signal	<p>SKIA0177E</p>
B133	3	B133	4	Receive audio signal	<p>SKIA0177E</p>

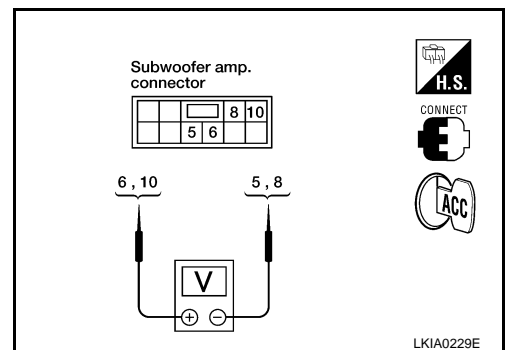


### OK or NG

- OK >> GO TO 5.  
 NG >> • Check connector housings for disconnected or loose terminals.  
 • Repair harness or connector.

## 5.SUBWOOFER AMP. OUTPUT SIGNAL CHECK

Check the signal between subwoofer amp. harness connector terminals with CONSULT-III or oscilloscope.



# AUDIO

## < SERVICE INFORMATION >

Terminals				Condition	Reference signal
(+)		(-)			
Con- nec- tor	Ter- minal	Con- nec- tor	Terminal		
B133	5	B133	6	Receive audio signal	 SKIA0177E
B133	8	B133	10	Receive audio signal	 SKIA0177E

### OK or NG

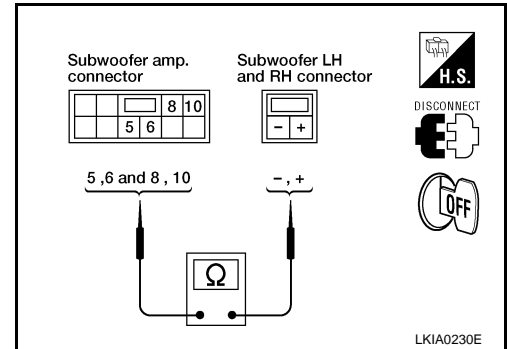
OK >> GO TO 6.

NG >> Replace subwoofer amp. Refer to [AV-74, "Removal and Installation"](#).

## 6. HARNESS CHECK

1. Turn ignition switch OFF.
2. Disconnect subwoofer amp. connector and subwoofer connectors.
3. Check continuity between subwoofer amp. harness connector terminal and subwoofer harness connector terminal.

Terminals				Continuity
Subwoofer amp.		Subwoofer		
Connector	Terminal	Connector	Terminal	
B133	5	B26	-	Yes
	6		+	
	8	B126	-	
	10		+	



4. Check continuity between subwoofer amp. harness connector terminal and ground.

Terminals			Continuity
Subwoofer amp.		—	
Connector	Terminal		
B133	5	Ground	No
	6		
	8		
	10		

### OK or NG

OK >> Replace subwoofer. Refer to [AV-74, "Removal and Installation"](#).

NG >> • Check connector housings for disconnected or loose terminals.  
• Repair harness or connector.



# AUDIO

< SERVICE INFORMATION >

## Sound Is Not Heard from Subwoofers (BOSE System)

INFOID:000000001721860

### 1. CHECK FUSE

Check that the following fuse is not blown.

Unit	Terminals	Signal name	Fuse No.
Subwoofer RH	6	Battery power	18

#### OK or NG

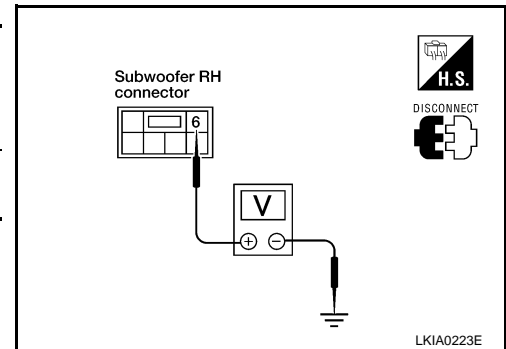
OK >> GO TO 2.

NG >> If fuse is blown, be sure to eliminate cause of problem before installing new fuse. Refer to [PG-3](#).

### 2. POWER SUPPLY CIRCUIT CHECK

1. Disconnect subwoofer RH connector.
2. Check voltage between the subwoofer RH and ground.

Unit	Terminal No.			OFF	ACC	ON
	(+)		(-)			
	Connector	Terminal				
Subwoofer RH	B126	6	Ground	Battery voltage	Battery voltage	Battery voltage



#### OK or NG

OK >> GO TO 3.

NG >> • Check connector housings for disconnected or loose terminals.  
• Repair harness or connector.

### 3. GROUND CIRCUIT CHECK

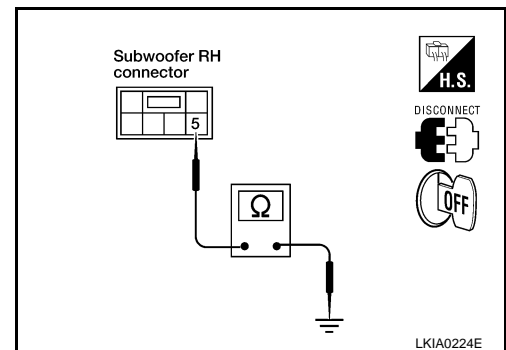
1. Turn ignition switch OFF.
2. Check continuity between subwoofer RH harness connector B126 terminal 5 and ground.

**Continuity should exist.**

#### OK or NG

OK >> GO TO 4.

NG >> • Check connector housings for disconnected or loose terminals.  
• Repair harness or connector.



### 4. CHECK SUBWOOFER AMP. ON SIGNAL

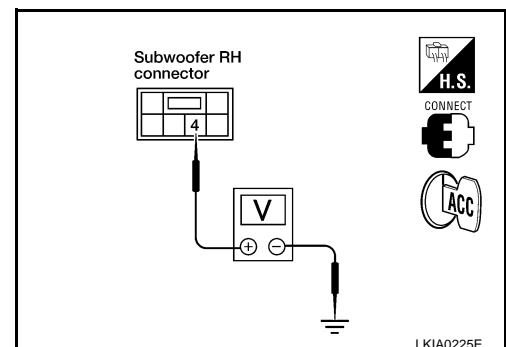
1. Turn ignition switch to ACC.
2. Operate system and check voltage between subwoofer RH harness connector B126 terminal 4 and ground.

**Voltage : Approx. 6.5V**

#### OK or NG

OK >> GO TO 5.

NG >> • Check connector housings for disconnected or loose terminals.  
• Repair harness or connector.



### 5. HARNESS CHECK

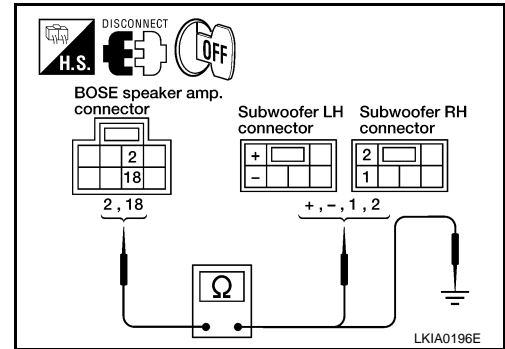
1. Turn ignition switch OFF.

# AUDIO

## < SERVICE INFORMATION >

2. Disconnect BOSE speaker amp. connector and subwoofer connectors.
3. Check continuity between BOSE speaker amp. harness connector terminal and subwoofer harness connector terminal.

Terminals				Continuity
BOSE speaker amp.		Subwoofer		
Connector	Terminal	Connector	Terminal	
B127	2	B26	-	Yes
		B126	1	
	18	B26	+	
		B126	2	



4. Check continuity between BOSE speaker amp. harness connector terminal and ground.

Terminals			Continuity
BOSE speaker amp.		—	
Connector	Terminal		
B127	2	Ground	No
	18		

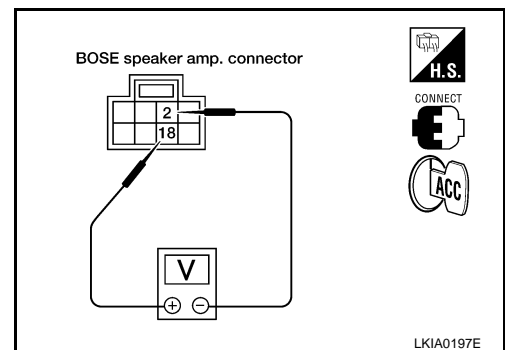
### OK or NG

- OK >> GO TO 6.  
 NG >> • Check connector housings for disconnected or loose terminals.  
 • Repair harness or connector.

## 6. SUBWOOFER SIGNAL CHECK

1. Connect BOSE speaker amp. connector and subwoofer connector.
2. Turn ignition switch to ACC.
3. Check the signal between BOSE speaker amp. harness connector terminals with CONSULT-III or oscilloscope.

Terminals				Condition	Reference signal
(+) Terminal		(-) Terminal			
Con- nec- tor	Ter- mi- nal	Con- nec- tor	Ter- mi- nal		
B127	18	B127	2	Receive audio signal	



### OK or NG

- OK >> Replace subwoofer. Refer to [AV-74, "Removal and Installation"](#).  
 NG >> Replace BOSE speaker amp. Refer to [AV-74, "Removal and Installation"](#).

## Removal and Installation

INFOID:000000001721861

### AUDIO UNIT

Refer to [IP-13, "Center Stack Assembly"](#).

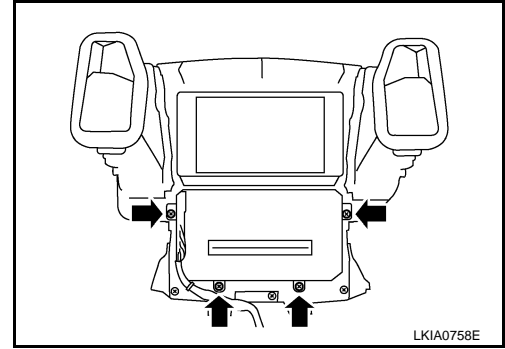
### AV SWITCH

#### Removal

# AUDIO

## < SERVICE INFORMATION >

1. Remove cluster lid D. Refer to [IP-12. "Cluster Lid D"](#).
2. Remove screws from the back of AV switch.



3. Remove AV switch.

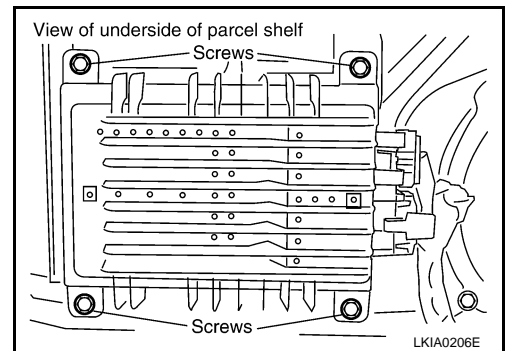
### Installation

Installation is in the reverse order of removal.

## BOSE SPEAKER AMP.

### Removal

1. Disconnect negative battery cable.
2. Lower upper trunk finisher. Refer to [EI-39](#).
3. Disconnect BOSE speaker amp. connectors.



4. Remove BOSE speaker amp.

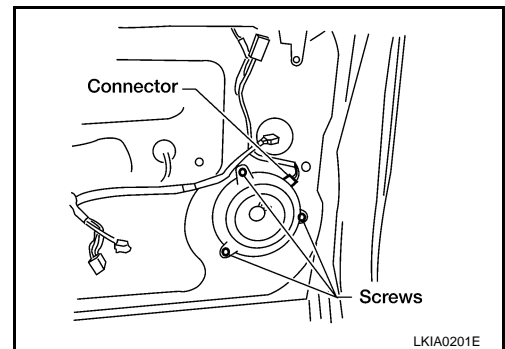
### Installation

Installation is in the reverse order of removal.

## FRONT DOOR SPEAKER

### Removal

1. Remove front door finisher. Refer to [EI-29. "Removal and Installation"](#).
2. Remove front door speaker.
3. Disconnect front door speaker connector.



### Installation

Installation is in the reverse order of removal.

## REAR DOOR SPEAKER

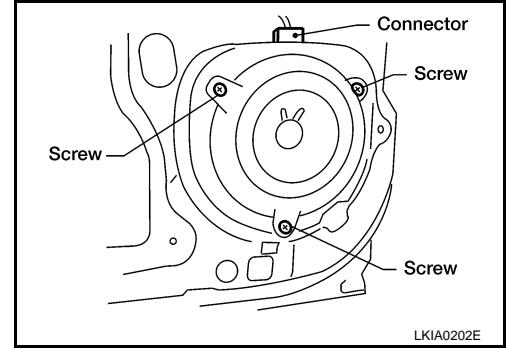
### Removal

A  
B  
C  
D  
E  
F  
G  
H  
I  
J  
AV  
L  
M  
N  
O  
P

# AUDIO

## < SERVICE INFORMATION >

1. Remove rear door finisher. Refer to [EI-29. "Removal and Installation"](#).
2. Remove rear door speaker.
3. Disconnect rear door speaker connector.



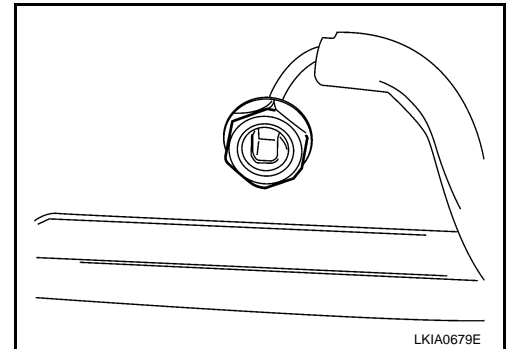
### Installation

Installation is in the reverse order of removal.

## SATELLITE RADIO ANTENNA

### Removal

1. Lower headliner. Refer to [EI-37](#).
2. Disconnect satellite radio antenna connector.
3. Remove satellite radio antenna nut.
4. Remove satellite radio antenna.



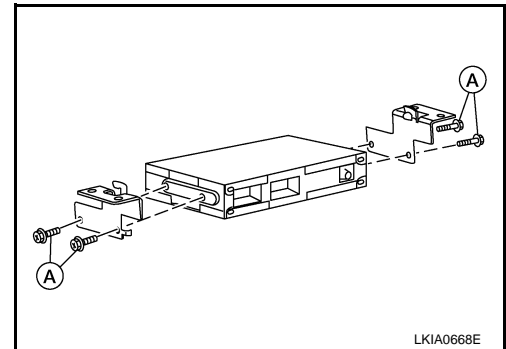
### Installation

Installation is in the reverse order of removal.

## SATELLITE RADIO TUNER

### Removal

1. Disconnect negative battery cable.
2. Lower upper trunk finisher. Refer to [EI-39](#).
3. Disconnect satellite radio tuner connectors.
4. Remove satellite radio tuner screws (A).



5. Remove satellite radio tuner.

### Installation

Installation is in the reverse order of removal.

## STEERING WHEEL AUDIO CONTROL SWITCHES

To replace steering wheel audio control switches it is necessary to replace the steering wheel. Refer to [PS-9. "Removal and Installation"](#).

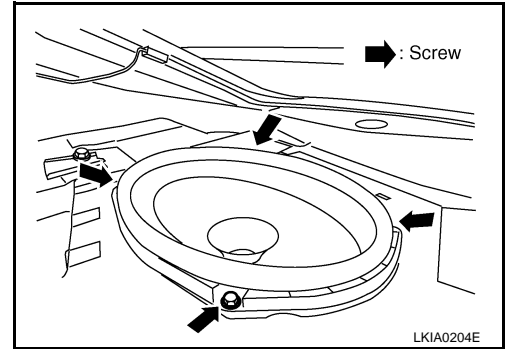
# AUDIO

## < SERVICE INFORMATION >

### SUBWOOFER (BASE SYSTEM)

#### Removal

1. Remove rear parcel shelf finisher. Refer to [EI-35](#).
2. Remove subwoofer.
3. Disconnect subwoofer connector.



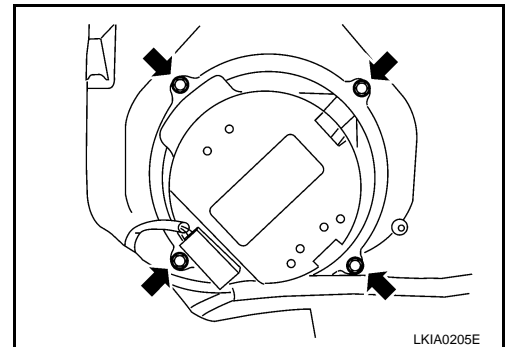
#### Installation

Installation is in the reverse order of removal.

### SUBWOOFER (BOSE SYSTEM)

#### Removal

1. Disconnect negative battery cable.
2. Lower upper trunk finisher. Refer to [EI-39](#).
3. Disconnect subwoofer connector.
4. Remove subwoofer.



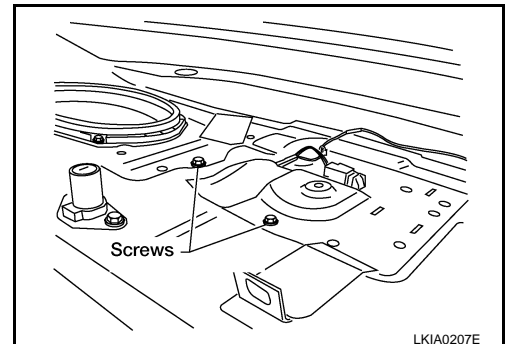
#### Installation

Installation is in the reverse order of removal.

### SUBWOOFER AMP. (BASE SYSTEM)

#### Removal

1. Remove rear parcel shelf finisher. Refer to [EI-35](#).
2. Lower upper trunk finisher. Refer to [EI-39](#).
3. Disconnect subwoofer amp. connector.
4. Remove subwoofer.  
**CAUTION:**  
**Carefully support the amp. when removing screws.**



#### Installation

Installation is in the reverse order of removal.

## AUDIO

### < SERVICE INFORMATION >

---

#### TWEETER

##### Removal

1. Remove front door finisher. Refer to [EI-29, "Removal and Installation"](#).
2. Remove tweeter.
3. Disconnect tweeter connector.

##### Installation

Installation is in the reverse order of removal.

# AUDIO ANTENNA

< SERVICE INFORMATION >

## AUDIO ANTENNA

---

### System Description

INFOID:000000001721862

With the ignition switch in ACC or ON, power is supplied

- through 10A fuse [No. 6, located in the fuse block (J/B)]
- to audio unit terminal 7 (without NAVI) or terminal 10 (with NAVI).

Ground is supplied through the case of the antenna amp.

When the radio switch is turned ON, antenna signal is supplied

- through audio unit terminal 68 (without NAVI) or terminal 5 (with NAVI).
- to the antenna amp. terminal 1.

Then the antenna amp. is activated.

The amplified radio signals are supplied to the audio unit through the antenna amp.

A

B

C

D

E

F

G

H

I

J

AV

L

M

N

O

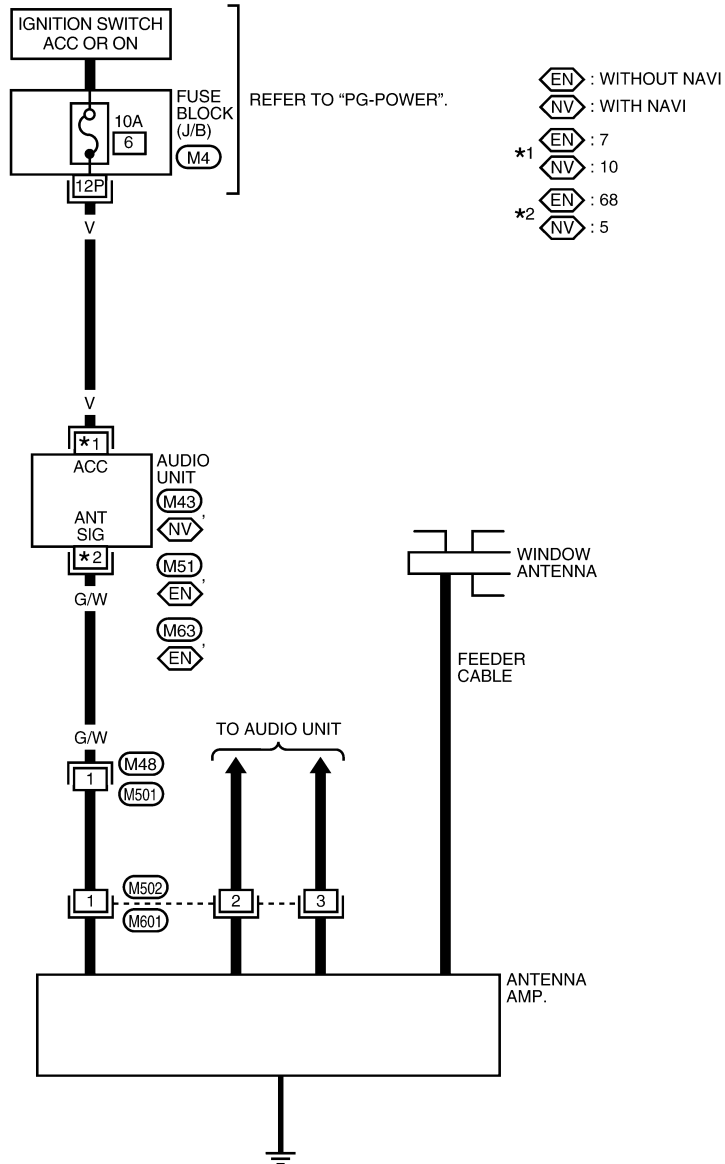
P

# AUDIO ANTENNA

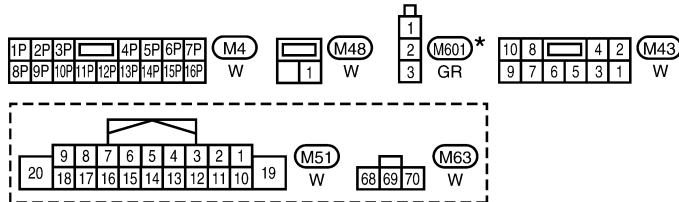
< SERVICE INFORMATION >  
Wiring Diagram - W/ANT -

INFOID:000000001721863

AV-W/ANT-01



- EN : WITHOUT NAVI
- NV : WITH NAVI
- \*1 EN : 7
- NV : 10
- \*2 EN : 68
- NV : 5



\*: THIS CONNECTOR IS NOT SHOWN IN "HARNESS LAYOUT" OF PG SECTION.

WKWA4945E

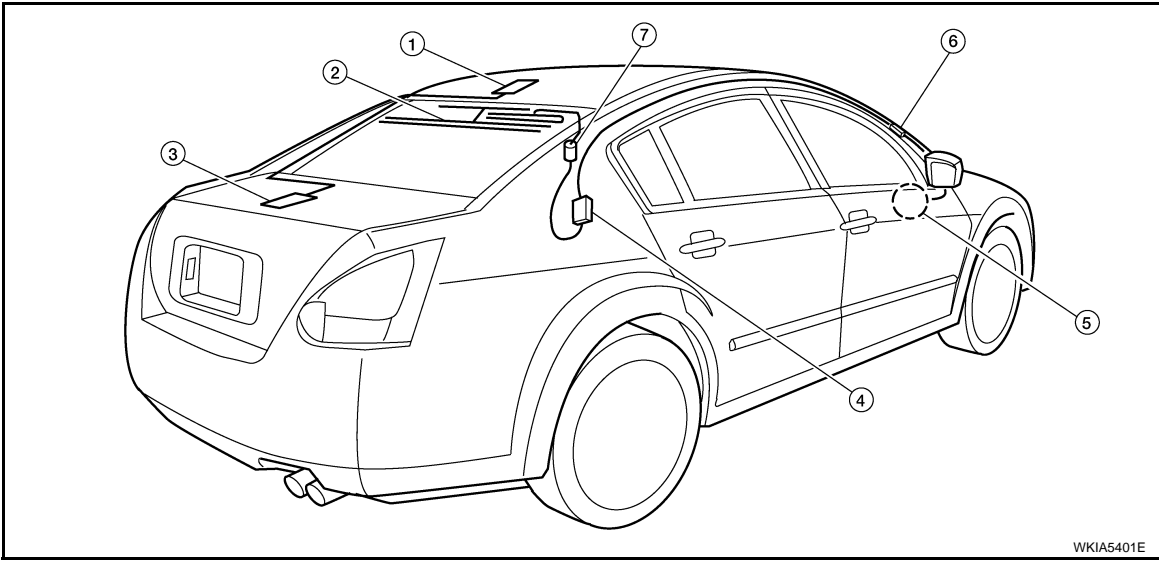


# AUDIO ANTENNA

< SERVICE INFORMATION >

## Location of Antenna

INFOID:000000001721864



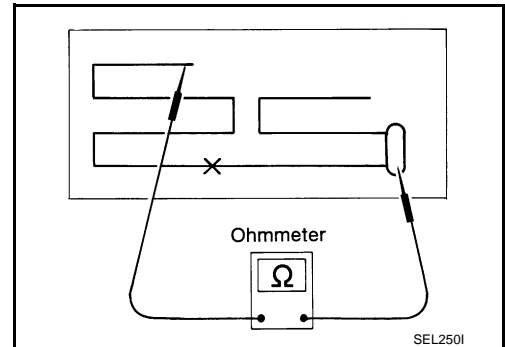
- |  |                                |   |
|--|--------------------------------|---|
| 1. Satellite radio antenna (If equipped) | 2. Rear window printed antenna | 3. Satellite radio tuner (If equipped) B137, B139 |
| 4. Antenna amp.                          | 5. M48                         | 6. M502, M601                                     |
| 7. M501.                                 |                                |   |

## Window Antenna Repair

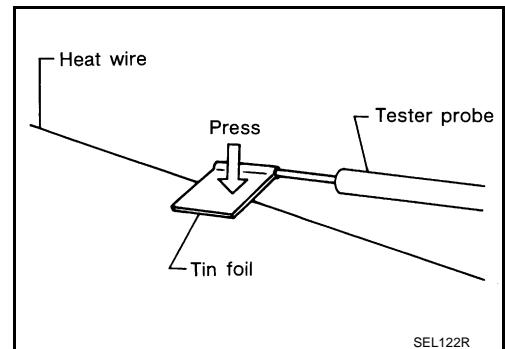
INFOID:000000001721865

### ELEMENT CHECK

1. Attach probe circuit tester (ohm setting) to antenna terminal on each side.



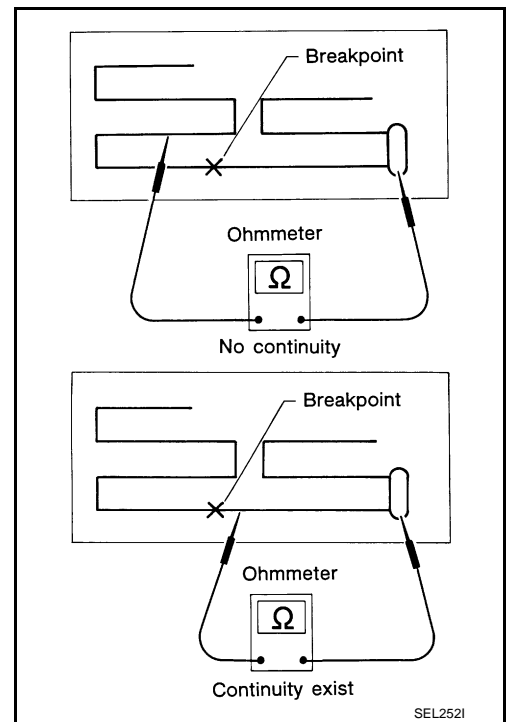
- When measuring continuity, wrap tin foil around the top of probe. Then, press the foil against the wire with your finger.



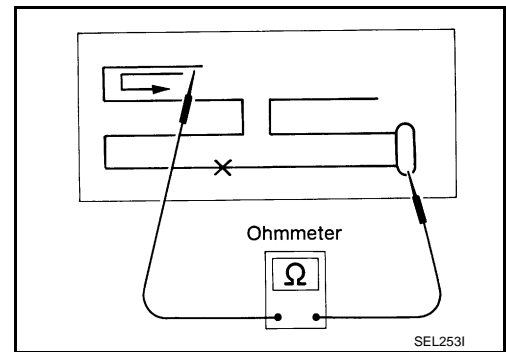
# AUDIO ANTENNA

## < SERVICE INFORMATION >

2. If an element is broken, no continuity will exist.



3. To locate a break, move probe along element. Tester indication will change abruptly when probe passes the broken point.



## ELEMENT REPAIR

Refer to [GW-96, "Filament Repair"](#).

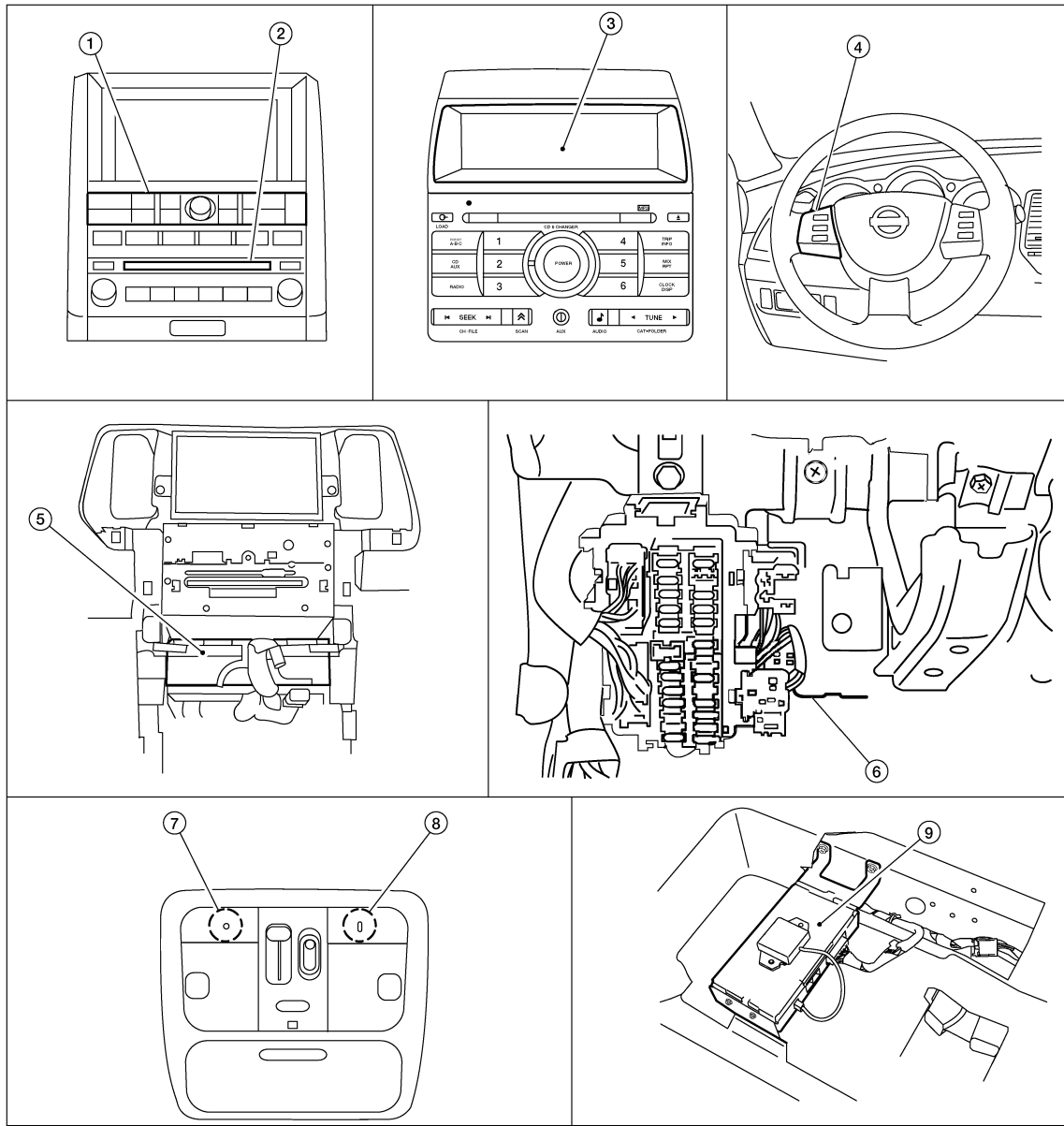
# TELEPHONE

< SERVICE INFORMATION >

## TELEPHONE

### Component Parts and Harness Connector Location

INFOID:000000001721866



WKIA5358E

- |  |   |   |
|--|---|---|
| 1. AV switch M98 (with NAVI)             | 2. Audio unit M43, M44, M45, M109 (with NAVI)                       | 3. Audio unit M51, M53, M60, M63, M109 (without NAVI)   |
| 4. Steering wheel audio control switches | 5. Unified meter and A/C amp. M50 (view with cluster lid D removed) | 6. BCM M18, M19, M20 (view with instrument panel removed)   |
| 7. Microphone R15                        | 8. Bluetooth ON indicator R16                                       | 9. Bluetooth control unit B41, B42 (view with driver seat and Bluetooth control unit cover removed) |

### System Description

INFOID:000000001721867

#### BLUETOOTH® HANDS-FREE PHONE SYSTEM

Refer to the owner's manual for Bluetooth telephone system operating instructions.

#### NOTE:

Cellular telephones must have their wireless connection set up (paired) before using the Bluetooth telephone system.

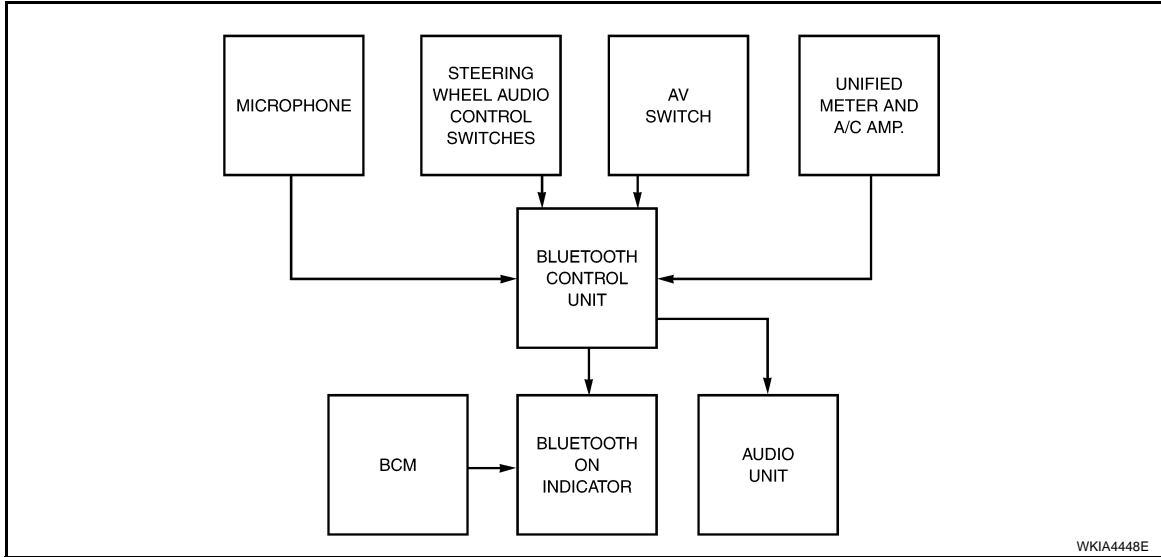
A  
B  
C  
D  
E  
F  
G  
H  
I  
J  
AV  
L  
M  
N  
O  
P

# TELEPHONE

## < SERVICE INFORMATION >

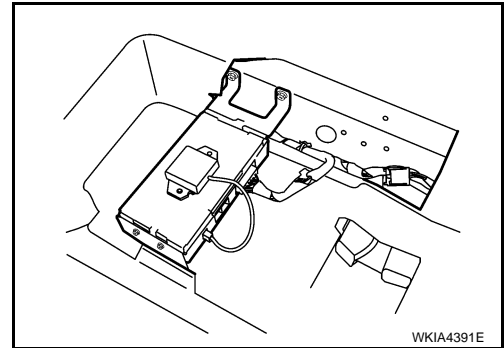
Bluetooth telephone system allows users who have a Bluetooth cellular telephone to make a wireless connection between their cellular telephone and the Bluetooth control unit. Hands-free cellular telephone calls can be sent and received. Personal memos can be created using the Nissan Voice Recognition system. Some Bluetooth cellular telephones may not be recognized by the Bluetooth control unit. When a cellular telephone or the Bluetooth control unit is replaced, the telephone must be paired with the Bluetooth control unit. Different cellular telephones may have different pairing procedures. Refer to the cellular telephone operating manual.

Bluetooth Telephone System Diagram



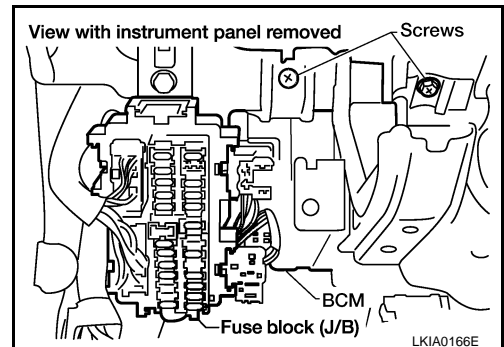
### Bluetooth Control Unit

When the ignition switch is turned to ACC or ON, the Bluetooth control unit will power up. During power up, the Bluetooth control unit is initialized and performs various self checks. Initialization may take up to 10 seconds. During this time the Bluetooth ON indicator will flash until initialization is complete. If a phone is present in the vehicle and paired with the Bluetooth control unit, Nissan Voice Recognition will then become active and the Bluetooth ON indicator will remain on. Bluetooth telephone functions can be turned off using the Nissan Voice Recognition system.



### BCM

The BCM supplies power for the Bluetooth ON indicator.



### Steering Wheel Audio Control Switches

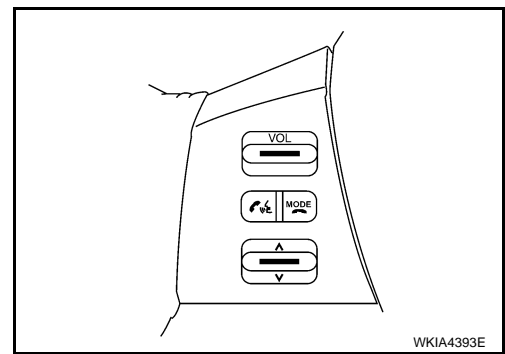
# TELEPHONE

## < SERVICE INFORMATION >

When buttons on the steering wheel audio control switch are pushed, the resistance in steering wheel audio control switch circuit changes depending on which button is pushed. The Bluetooth control module uses this signal to perform various functions while navigating through the voice recognition system.

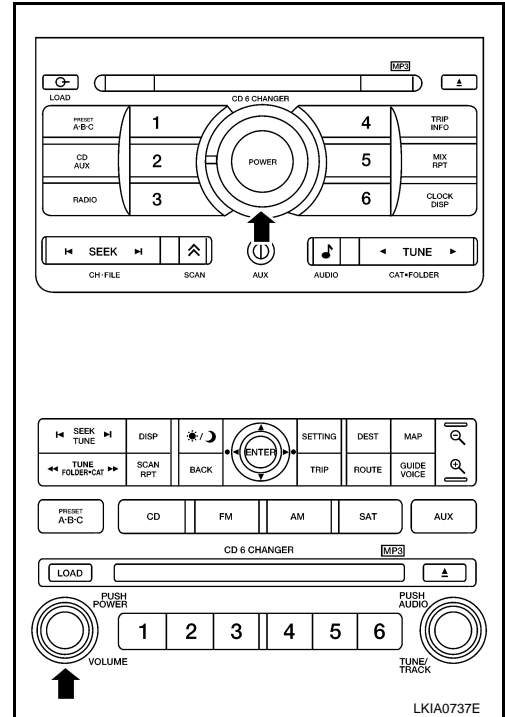
The following functions can be performed using the steering wheel audio control switch:

- Initiate Self Diagnosis of the Bluetooth telephone system
- Start a voice recognition session
- Answer and end telephone calls
- Adjust the volume of calls
- Record memos



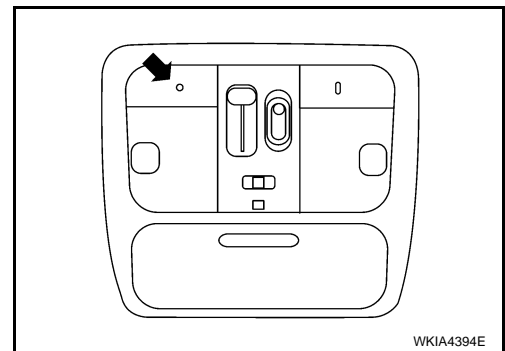
### AV Switch

Call volume can be adjusted using the AV switch.



### Microphone

The microphone is located in the roof console assembly. The microphone sends a signal to the Bluetooth control unit. The microphone can be actively tested during self-diagnosis.



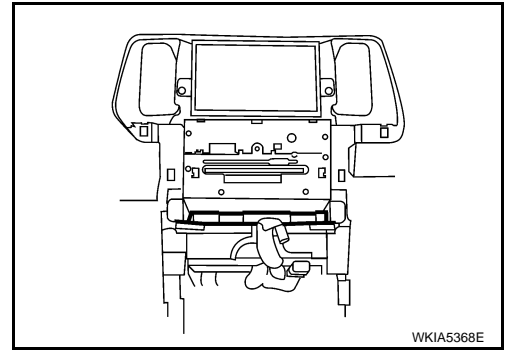
### Unified Meter and A/C Amp

A  
B  
C  
D  
E  
F  
G  
H  
I  
J  
AV  
L  
M  
N  
O  
P

# TELEPHONE

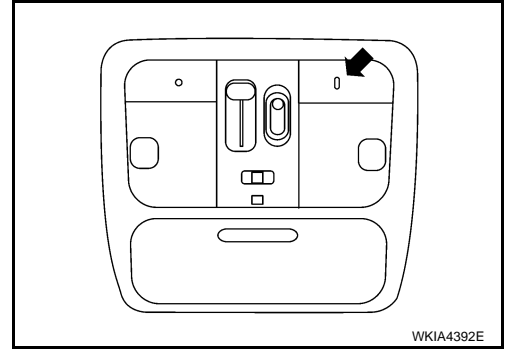
## < SERVICE INFORMATION >

The unified meter and A/C amp. supplies speed signals to the Bluetooth control unit. Vehicle speed signals are used to determine which voice command functions will be disabled based on driving conditions.



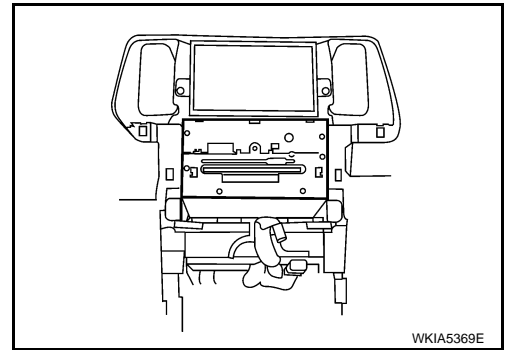
### Bluetooth ON Indicator

The Bluetooth ON indicator is located in the overhead console. The indicator will flash during power up while the Bluetooth control unit is initializing. This process may take up to 10 seconds. If a phone is present in the vehicle and paired with the Bluetooth control unit, the indicator will remain on to indicate that the system is ready for voice commands. The indicator flashes during self-diagnosis.



### Audio Unit

The audio unit receives signals from the Bluetooth control unit and sends audio signals to the speakers.



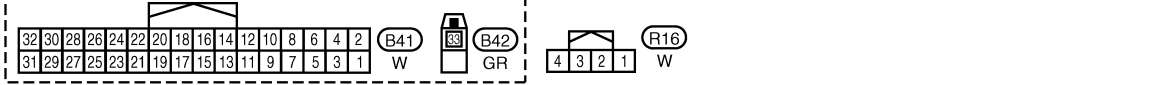
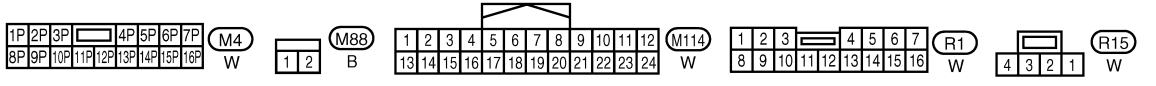
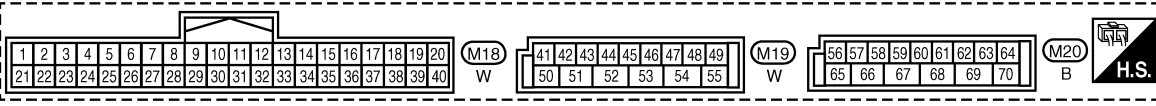
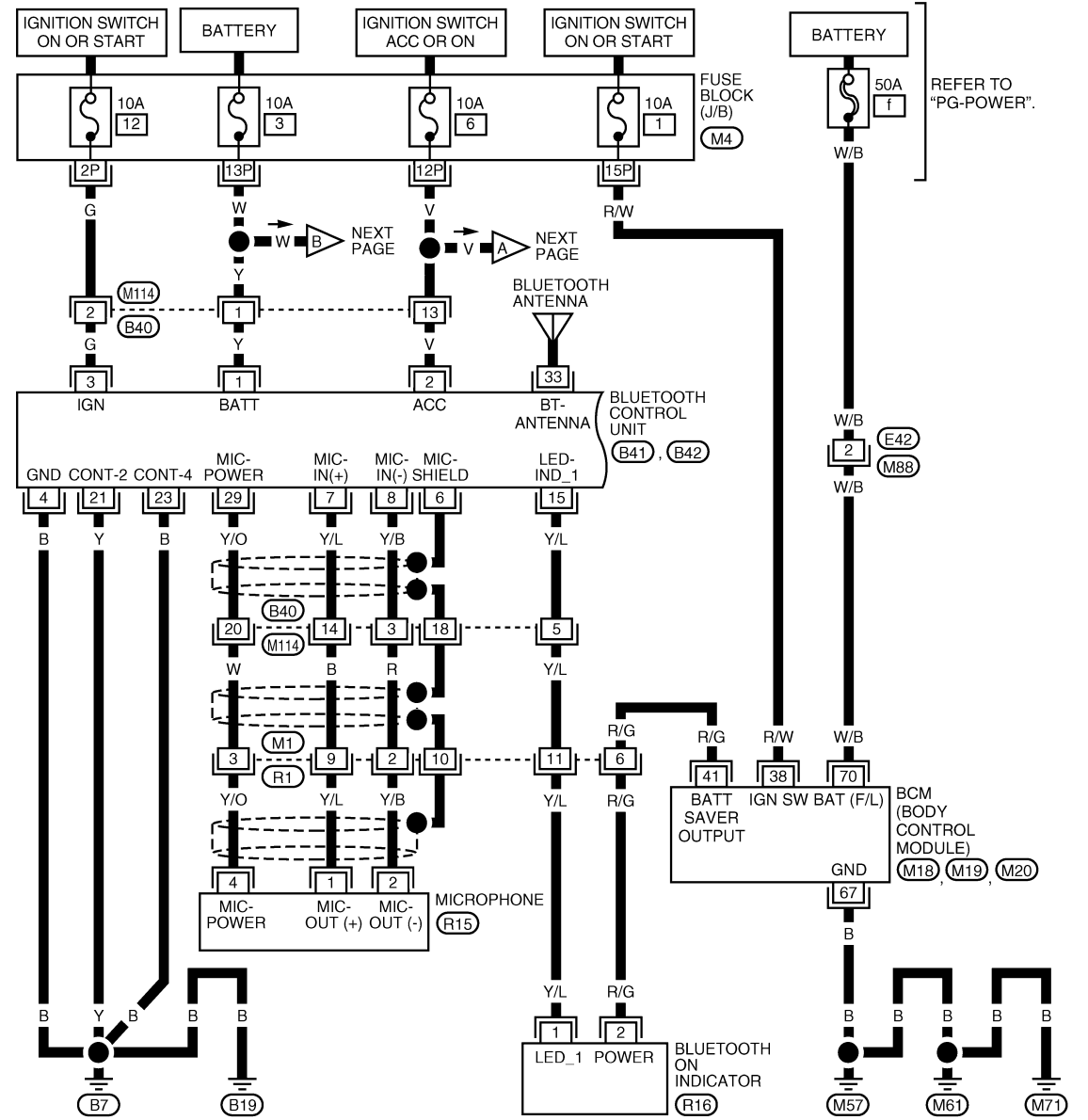
# TELEPHONE

< SERVICE INFORMATION >

## Wiring Diagram - H/PHON -

INFOID:00000001721868

### AV-H/PHON-01



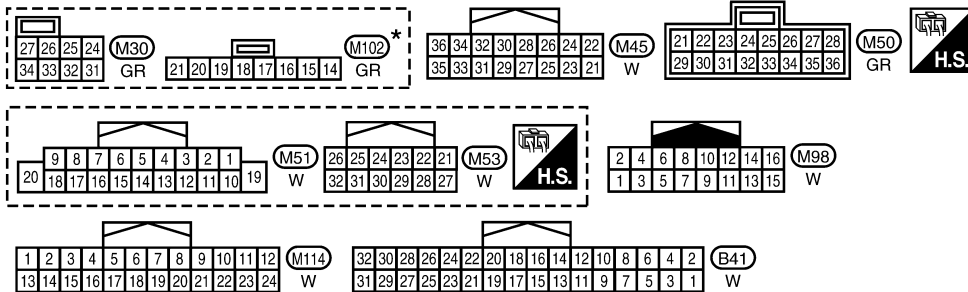
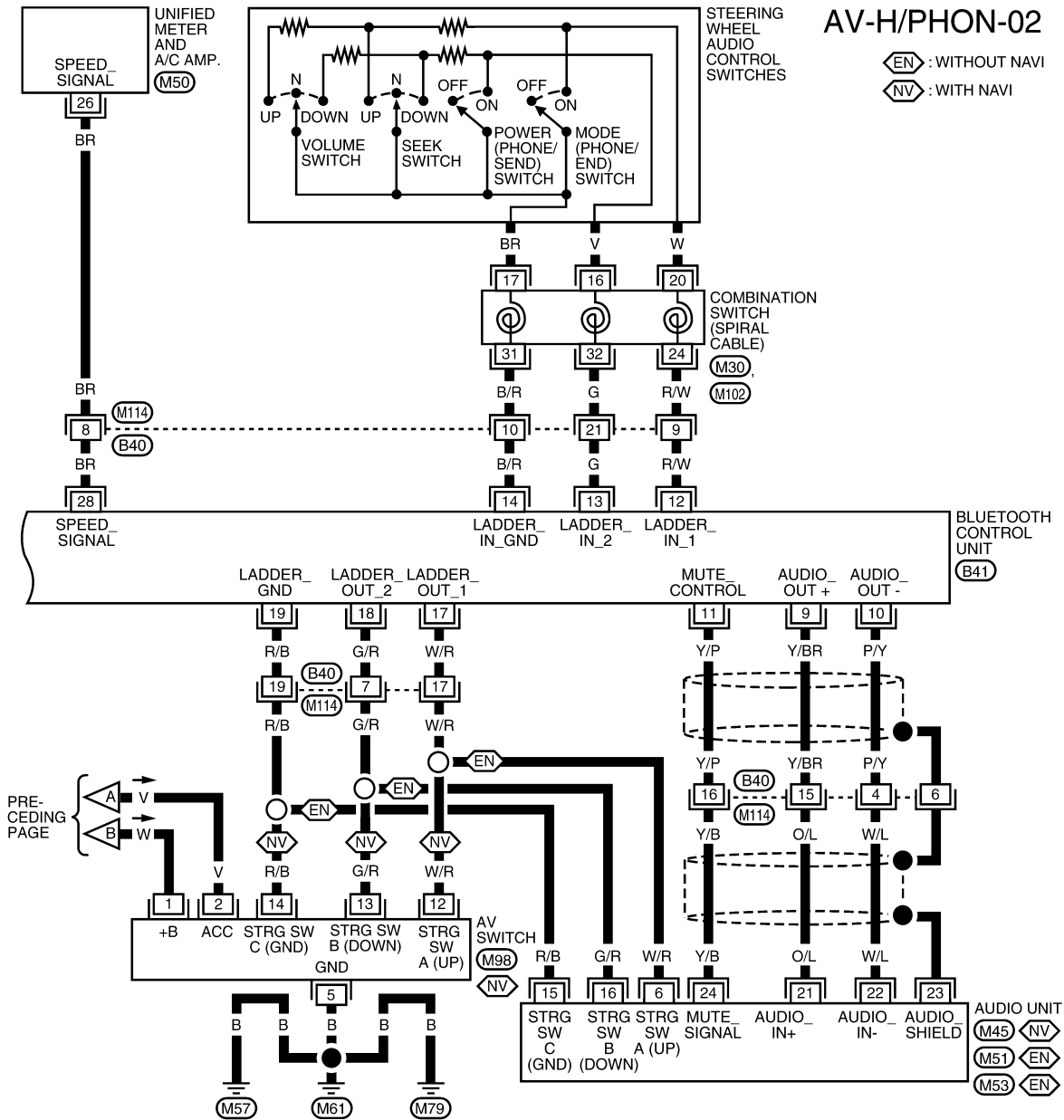
WKWA4920E

A  
B  
C  
D  
E  
F  
G  
H  
I  
J  
K  
L  
M  
N  
O  
P

AV

# TELEPHONE

< SERVICE INFORMATION >



\* : THIS CONNECTOR IS NOT SHOWN IN "HARNESS LAYOUT" OF PG SECTION.

WKWA4921E

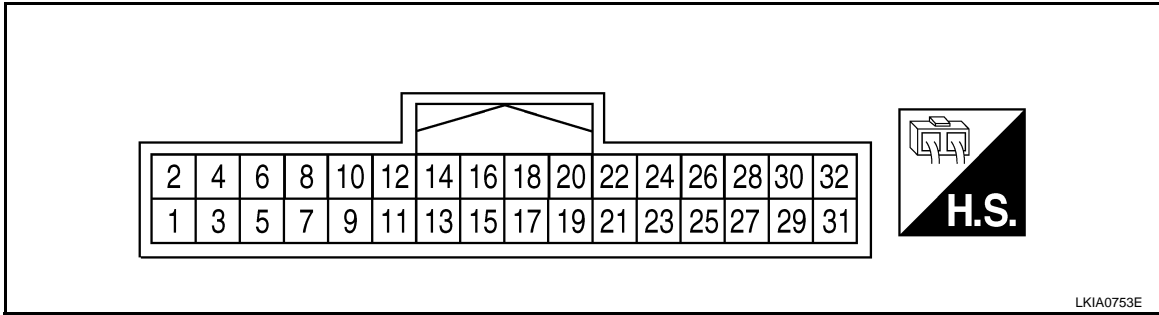


# TELEPHONE

< SERVICE INFORMATION >

## Bluetooth Control Unit Harness Connector Terminal Layout

INFOID:000000001721869



## Terminal and Reference Value for Bluetooth Control Unit

INFOID:000000001721870

Terminal (Wire color)		Item	Signal input/ output	Condition		Reference value (Approx.)	Example of symptom
+	-			Ignition switch	Operation		
1 (Y)	Ground	Battery power	Input	-	-	Battery voltage	System does not work properly.
2 (V)	Ground	ACC power	Input	ACC/ ON	-	Battery voltage	System does not work properly.
3 (G)	Ground	IGN power	Input	ON/ START	-	Battery voltage	System does not work properly.
4 (B)	-	Ground	-	-	-	-	-
6	-	Shield	-	-	-	-	-
7 (Y/L)	8 (Y/B)	Mic-in signal	Input	-	-	-	Microphone inoperative.
9 (Y/BR)	10 (P/Y)	Audio out	Output	ACC/ ON	Bluetooth control unit sends audio signal		Audio can not be heard.
11(Y/P)	-	Mute	Output	-	-	-	Mute inoperative.
12 (R/W)	Ground	Remote control switch 1	Input	ACC/ ON	Press MODE switch	Approx. 0V	Steering wheel audio control switches do not function.
					Press SEEK UP switch	Approx. 0.75V	
					Press VOL UP switch	Approx. 2V	
					Except for above	Approx. 5V	
13 (G)	Ground	Remote control switch 2	Input	ACC/ ON	Press POWER switch	Approx. 0V	Steering wheel audio control switches do not function.
					Press SEEK DOWN switch	Approx. 0.75V	
					Press VOL DOWN switch	Approx. 2V	
					Except for above	Approx. 5V	
14 (B/R)	-	Remote control ground	Input	-	-	-	Steering wheel audio control switches do not function.

# TELEPHONE

## < SERVICE INFORMATION >

Terminal (Wire color)		Item	Signal input/ output	Condition		Reference value (Approx.)	Example of symptom
+	-			Ignition switch	Operation		
15 (Y/L)	Ground	Bluetooth ON indicator LED	Output	-	Bluetooth control unit initialized and paired with phone	Battery voltage	Bluetooth ON indica- tor inoperative.
17 (W/R)	Ground	AV switch 1	Output	ACC/ ON	Press MODE switch	Approx. 0V	Steering wheel audio controls do not func- tion.
					Press SEEK UP switch	Approx. 0.75V	
					Press VOL UP switch	Approx. 2V	
					Except for above	Approx. 5V	
18 (G/R)	Ground	AV switch 2	Output	ACC/ ON	Press POWER switch	Approx. 0V	Steering wheel audio controls do not func- tion.
					Press SEEK DOWN switch	Approx. 0.75V	
					Press VOL DOWN switch	Approx. 2V	
					Except for above	Approx. 5V	
19 (R/B)	Ground	AV switch ground	Output	-	-	-	Steering wheel audio controls do not func- tion.
21 (Y)	-	Ground	-	-	-	-	-
23 (B)	-	Ground	-	-	-	-	-
28 (BR)	-	Speed sig- nal	Input	-	-	-	-
29 (Y/O)	Ground	Microphone power	Output	-	-	-	Microphone inopera- tive.
33	-	Bluetooth antenna sig- nal	Input	-	-	-	-

## Bluetooth Control Unit Self-Diagnosis Function

INFOID:000000001721871

The Bluetooth control unit has two diagnostic checks. The first diagnostic check is performed automatically every ignition cycle during control unit initialization. The second diagnostic check is performed by the technician using the steering wheel audio control switches prior to trouble diagnosis.

### BLUETOOTH CONTROL UNIT INITIALIZATION CHECKS

- Internal control unit failure
- Bluetooth antenna connection open or shorted
- Steering wheel audio control switches (SEND/END) stuck closed
- Vehicle speed pulse count
- Microphone connection test (with playback to operator)
- Bluetooth inquiry check

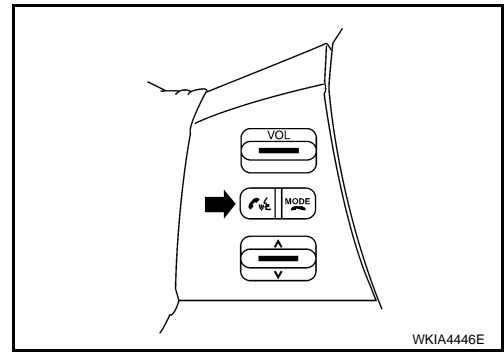
### SELF-DIAGNOSIS MODE

1. Turn ignition switch to ACC or ON.
2. Wait for the Bluetooth system to complete initialization and the Bluetooth ON indicator to stop flashing. This may take up to 10 seconds.

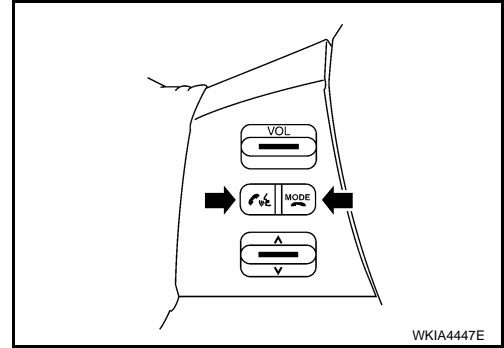
# TELEPHONE

## < SERVICE INFORMATION >

- Press and hold the steering wheel audio control switch SEND button for at least 5 seconds. The Bluetooth system will begin to play a verbal prompt.



- While the prompt is playing, momentarily press both the steering wheel audio control switches SEND and END buttons simultaneously. The Bluetooth system will sound a 5 second beep.
- While the beep is sounding, momentarily press both the steering wheel audio control switches SEND and END buttons simultaneously again.
- The Bluetooth system has now entered into the diagnostic mode. Results of the diagnostic checks will be verbalized to the technician and the Bluetooth ON indicator will flash. Refer to [AV-91. "Workflow"](#).
- If there are no failure records to report, the speed pulse count will be reported next.
- After the speed pulse count is reported, an interactive microphone test will be performed. Follow the voice prompt. If the microphone test fails refer to [AV-91. "Workflow"](#).
- Self-diagnosis mode is complete when the voice prompt says "All diagnostic functions completed". A short beep is heard.



## Workflow

INFOID:000000001721872

Flashing Pattern (Bluetooth ON indicator)	Failure Message	Action
1	"Internal failure"	Replace Bluetooth control unit. Refer to <a href="#">AV-92. "Removal and Installation"</a> .
2	"Bluetooth antenna open"	1. Inspect harness connection. 2. Replace Bluetooth antenna. Refer to <a href="#">AV-92. "Removal and Installation"</a> .
3	"Bluetooth antenna shorted"	
4	"Phone/Send for the Hands Free Phone System is stuck"	Check steering wheel audio control switches. Refer to <a href="#">AV-56. "Steering Switch Check (Without Bluetooth or NAVI)"</a> .
5	"Phone/End for the Hands Free Phone System is stuck"	
-	"Microphone test" (failed interactive test)	1. Inspect harness between Bluetooth control unit and microphone. 2. Replace microphone. Refer to <a href="#">AV-92. "Removal and Installation"</a> .

## Power Supply and Ground Circuit Inspection for Bluetooth Control Unit

INFOID:000000001721873

### 1. CHECK FUSES

Make sure the following fuses for the Bluetooth control unit are not blown.

Terminals		Ignition Switch	Fuse No.
Connector	Terminal		

# TELEPHONE

## < SERVICE INFORMATION >

B41	1	All positions	3
	2	ACC/ON	6
	3	ON/START	12

### OK or NG

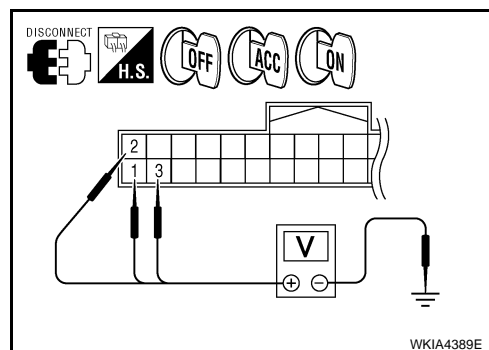
OK >> GO TO 2.

NG >> If fuse is blown, be sure to eliminate cause of malfunction before installing new fuse. Refer to [PG-3](#).

## 2.CHECK POWER SUPPLY CIRCUIT

1. Disconnect Bluetooth control unit connector B41.
2. Check voltage between connector terminals and ground as follows.

Terminals		(-)	Ignition switch position		
(+)			OFF	ACC	ON
Connector	Terminal				
B41	1	Ground	Battery voltage	Battery voltage	Battery voltage
	2		0V	Battery voltage	Battery voltage
	3		0V	0V	Battery voltage



### OK or NG

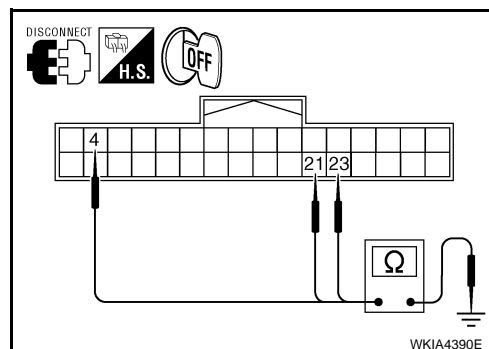
OK >> GO TO 3.

NG >> Check harness for open between Bluetooth control unit and fuse.

## 3.CHECK GROUND CIRCUITS

1. Turn ignition switch OFF.
2. Check continuity between the following Bluetooth control unit terminals and ground.

Terminals		—	Continuity
Connector	Terminal		
B41	4	Ground	Yes
	21		
	23		



### OK or NG

OK >> Inspection End.

NG >> Repair or replace harness.

## Removal and Installation

INFOID:000000001721874

### BLUETOOTH CONTROL UNIT

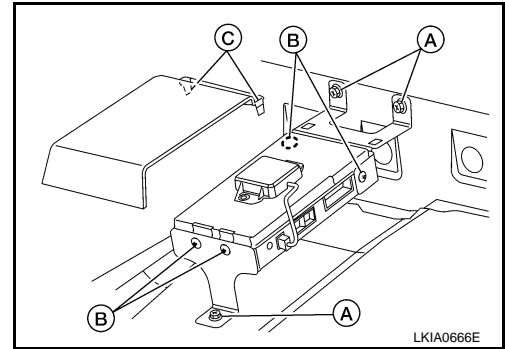
#### Removal

1. Remove driver seat. Refer to [SE-85. "Removal and Installation"](#).
2. Disconnect Bluetooth control unit harness connectors.

# TELEPHONE

## < SERVICE INFORMATION >

3. Release Bluetooth control unit cover clips (C).
4. Tip Bluetooth control unit cover rearward, and remove Bluetooth control unit cover.
5. Remove Bluetooth control unit bracket screws (A).
6. Remove Bluetooth control unit screws (B).
7. Remove Bluetooth control unit from brackets.



### Installation

Installation is in the reverse order of removal.

### NOTE:

When replacing Bluetooth control unit, Perform pairing procedure. Refer to Owner's Manual Pairing Procedure.

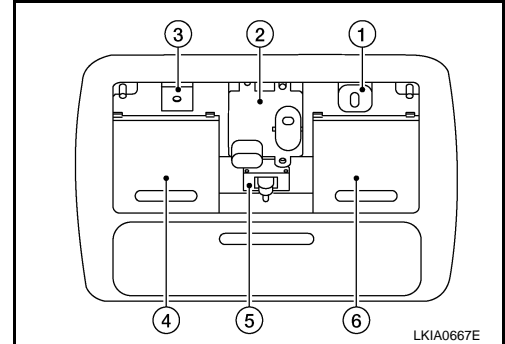
## BLUETOOTH ON INDICATOR

### Removal

### CAUTION:

To avoid damage use care when removing console finisher.

- Sunroof switch (2).
  - Microphone (3).
  - Front personal/map lamp LH (4).
  - Interior lamp switch (5).
  - Front personal/map lamp RH (6).
1. Remove console assembly, roof finisher.
  2. Release Bluetooth ON indicator tabs.
  3. Disconnect Bluetooth ON indicator connector.



4. Remove Bluetooth ON indicator (1).

## MICROPHONE

### Removal

### CAUTION:

To avoid damage use care when removing console finisher.

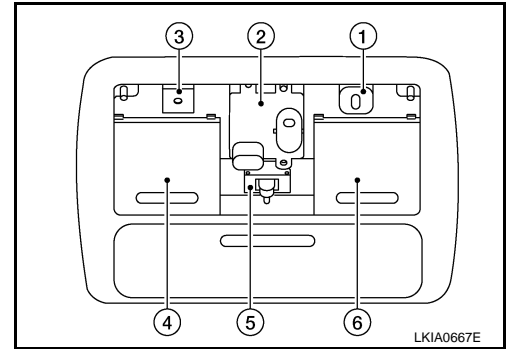
- Bluetooth on indicator (1).
- Sunroof switch (2).
- Front personal/map lamp LH (4).
- Interior lamp switch (5).
- Front personal/map lamp RH (6).

A  
B  
C  
D  
E  
F  
G  
H  
I  
J  
AV  
L  
M  
N  
O  
P

# TELEPHONE

## < SERVICE INFORMATION >

1. Remove console assembly, roof finisher.
2. Release microphone tabs.
3. Disconnect microphone connector.



4. Remove microphone (3).

### Installation

Installation is in the reverse order of removal.

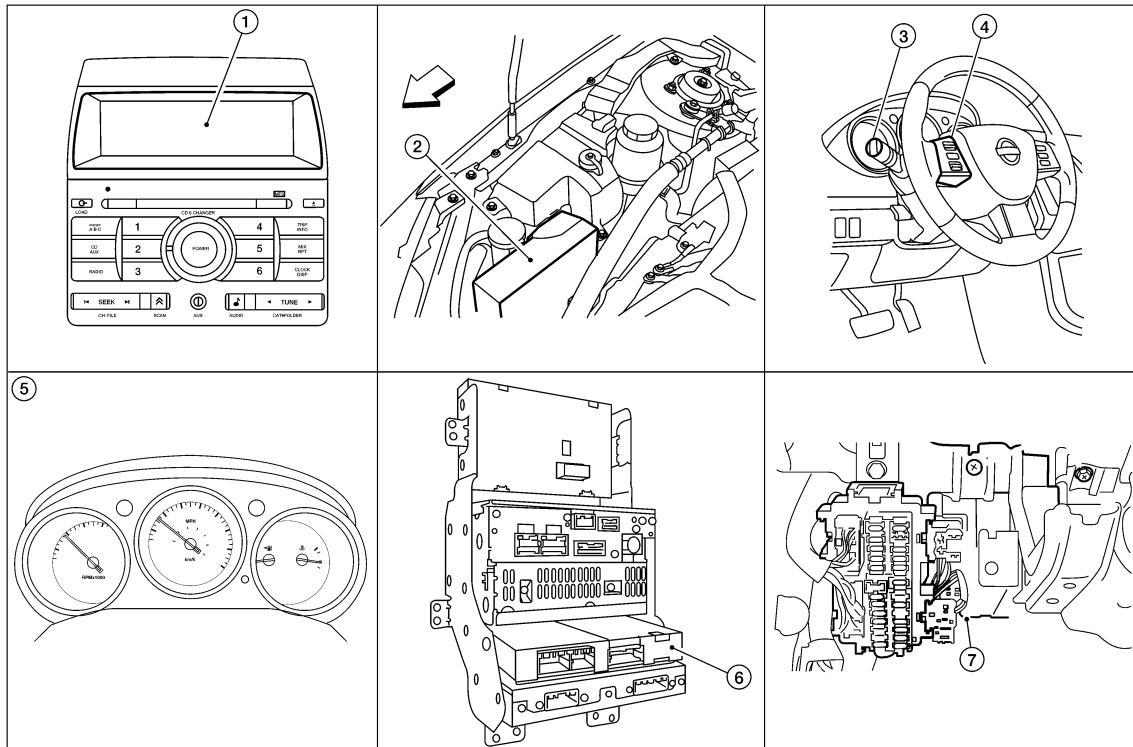
# INTEGRATED DISPLAY SYSTEM

< SERVICE INFORMATION >

## INTEGRATED DISPLAY SYSTEM

### Component Parts and Harness Connector Location

INFOID:000000001721875



WKIA5359E

- |  |                                       |  |
|--|---------------------------------------|--|
| 1. Display unit M93                      | 2. IPDM E/R M120 and M121<br>←: Front | 3. Combination switch M28              |
| 4. Steering wheel audio control switches | 5. Combination meter M24              | 6. Unified meter and A/C amp. M49, M50 |
| 7. BCM M18, M19 and M20                  |                                       |  |

### System Description

INFOID:000000001721876

#### PRECAUTION OF LCD MONITOR

- Brightness of LED backlight display may change, depending on in-car temperature. In low temperatures, the refreshing rate of the picture also becomes low because of the low response of the LCD monitor. When passenger area becomes warm, however, the LCD recovers the normal display.
- Backlight sometimes flickers or darkens according to the total operation hours and the number of times switched ON and OFF. In this case, entire display unit should be replaced. (Backlight cannot be replaced separately.)

#### POWER SUPPLY AND GROUND

Power is supplied at all times

- through 20A fuse (No. 31, located in fuse and fusible link box)
- to audio unit terminal 19 and
- through 15A fuses (No. 34, and 41, located in the IPDM E/R)
- to CPU of the IPDM E/R.

When the ignition switch is in ACC or ON position, power is supplied

- through 10A fuse [No. 6, located in fuse block (J/B)]
- to audio unit terminal 7
- to unified meter and A/C amp. terminal 35 and
- to BCM terminal 11.

When the ignition switch is in ON or START position, power is supplied

- to ignition relay located in the IPDM E/R, and
- through 10A fuse [No. 12, located in fuse block (J/B)]
- to unified meter and A/C amp. terminal 22.

Ground is supplied

# INTEGRATED DISPLAY SYSTEM

## < SERVICE INFORMATION >

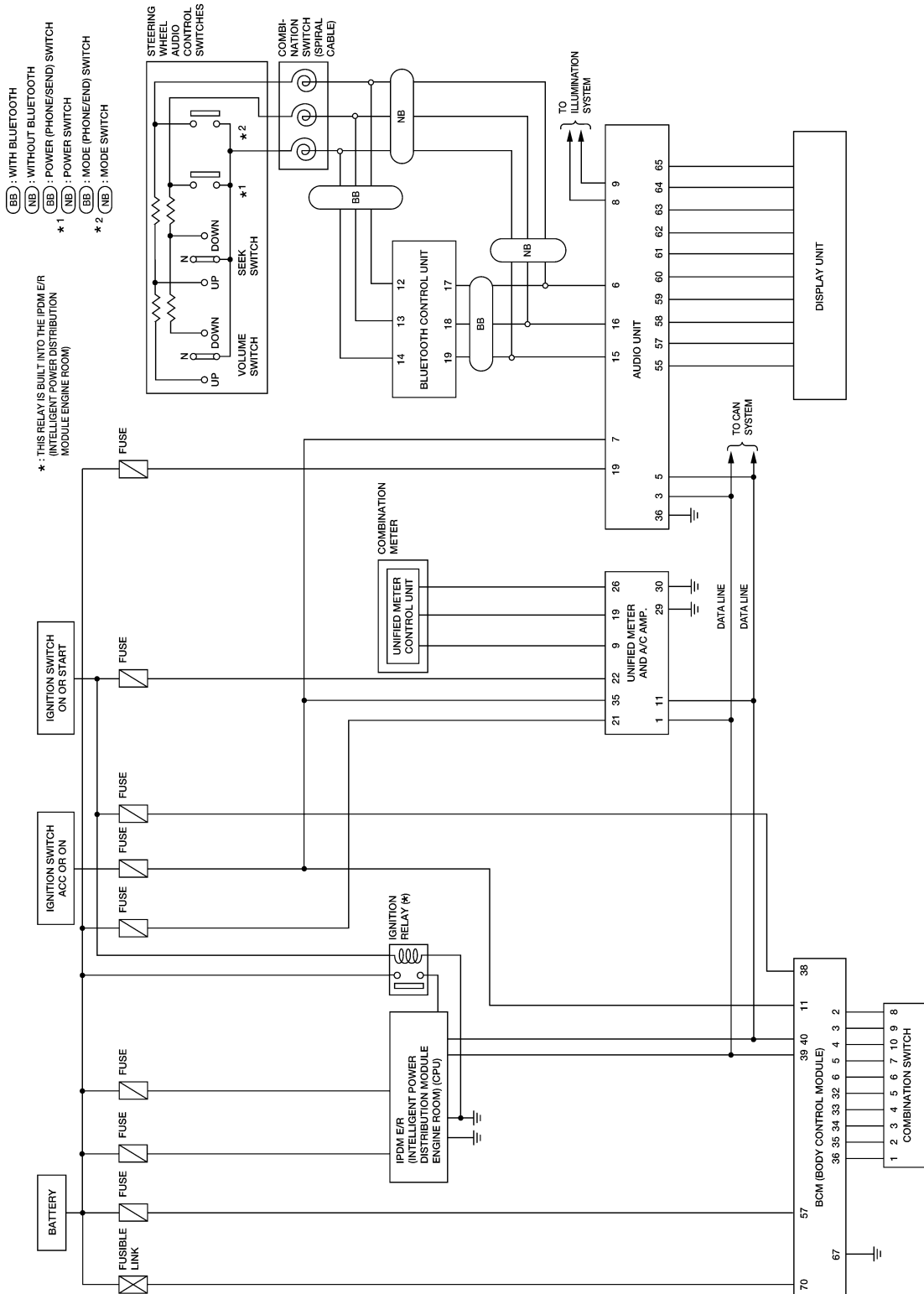
- to unified meter and A/C amp. terminals 29 and 30
- through body grounds M57, M61 and M79 and
- to IPDM E/R terminals 38 and 60
- through body grounds E15 and E24.

## DRIVE COMPUTER

Refer to Owner's Manual for drive computer operating instructions.

## Schematic

INFOID:000000001721877



WKWA4935E



# INTEGRATED DISPLAY SYSTEM

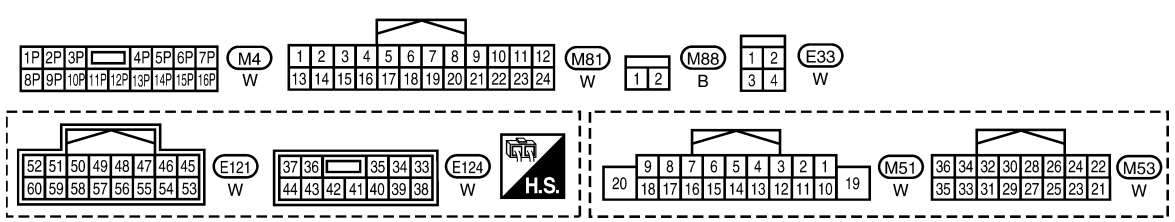
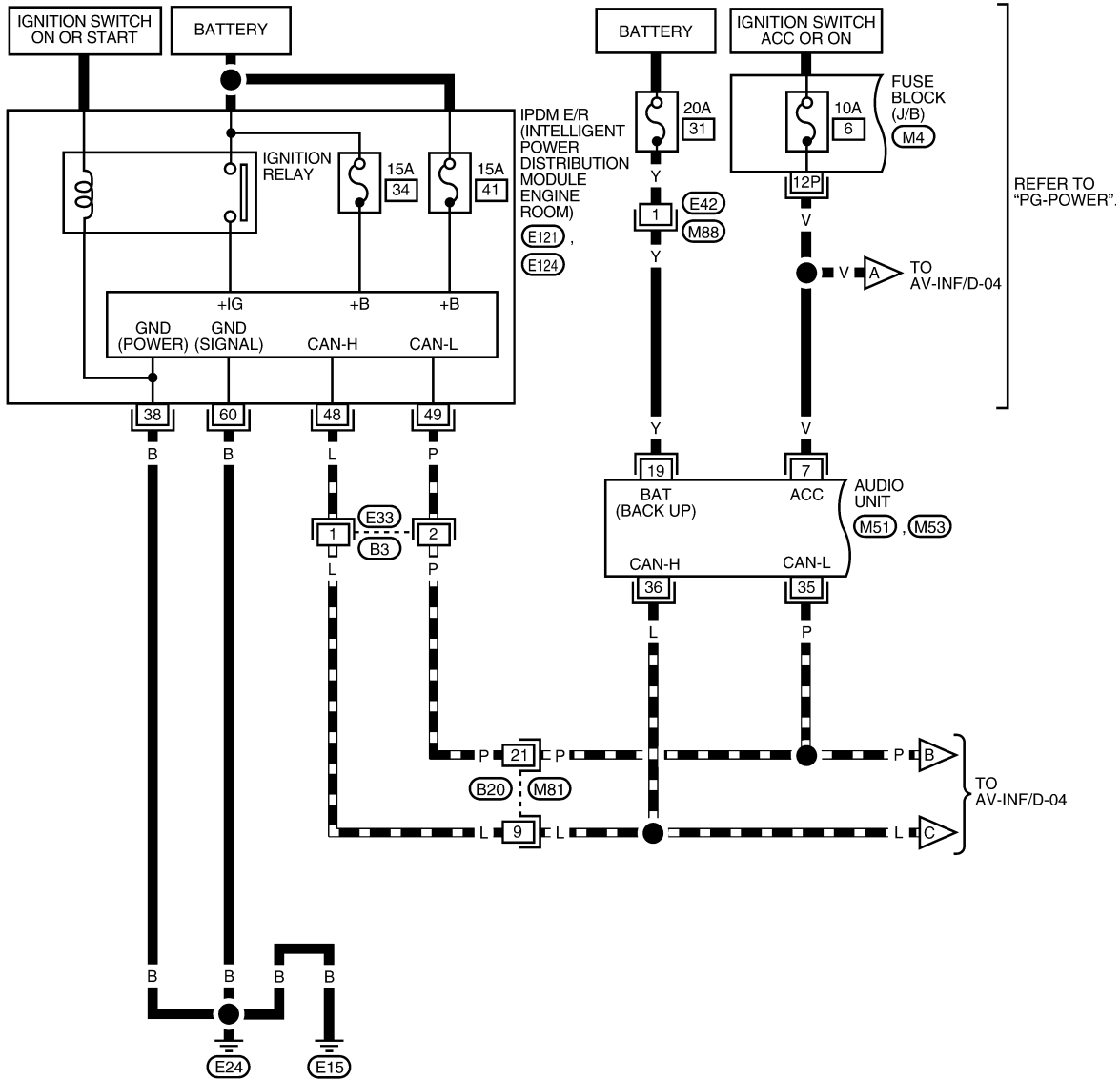
< SERVICE INFORMATION >

## Wiring Diagram - INF/D -

INFOID:000000001721878

### AV-INF/D-01

▬ : DATA LINE



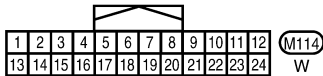
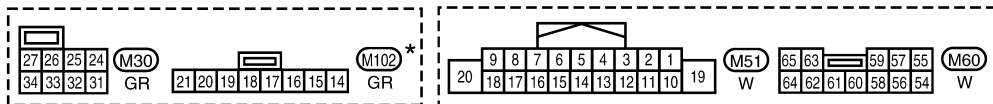
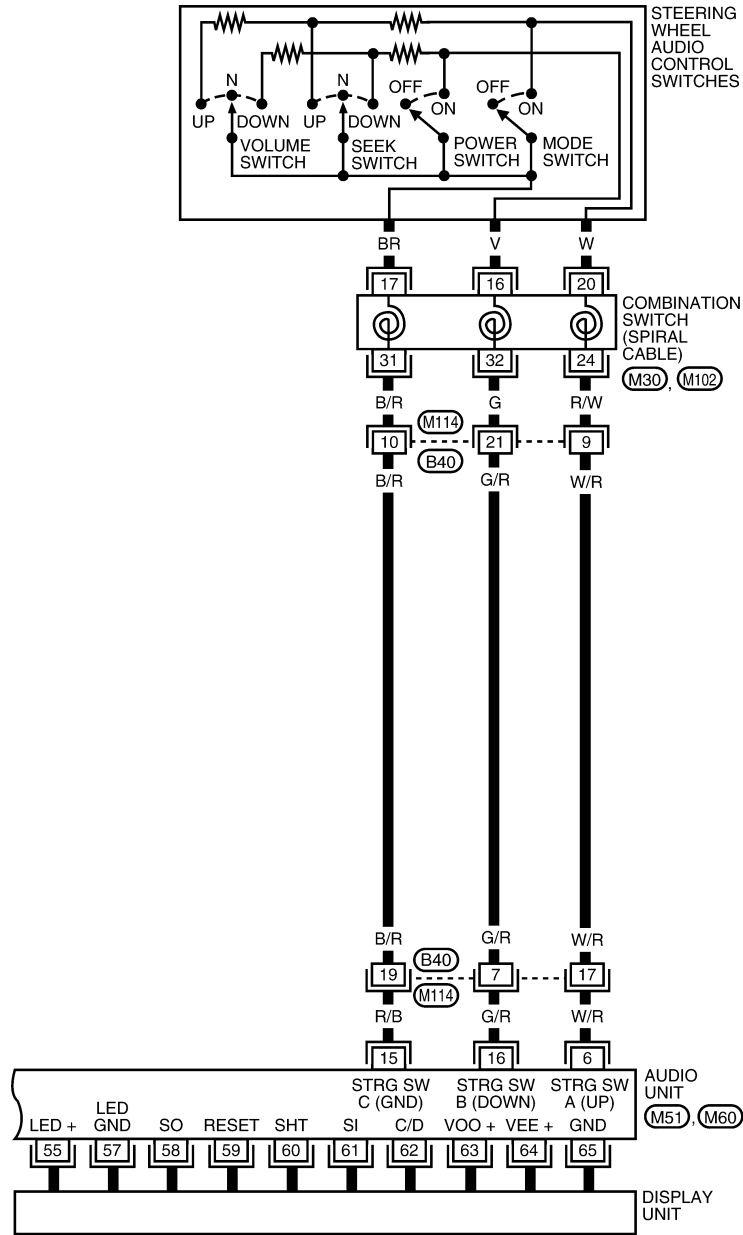
WKWA4936E

# INTEGRATED DISPLAY SYSTEM

< SERVICE INFORMATION >

WITHOUT BLUETOOTH

AV-INF/D-02



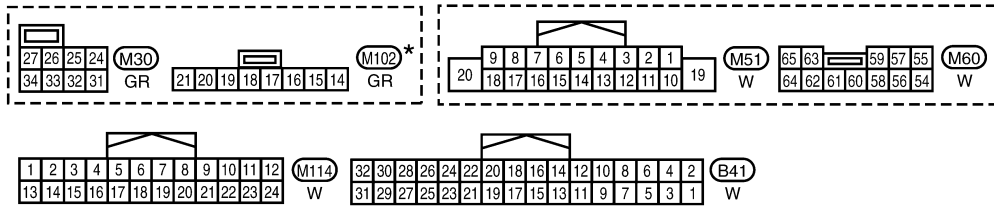
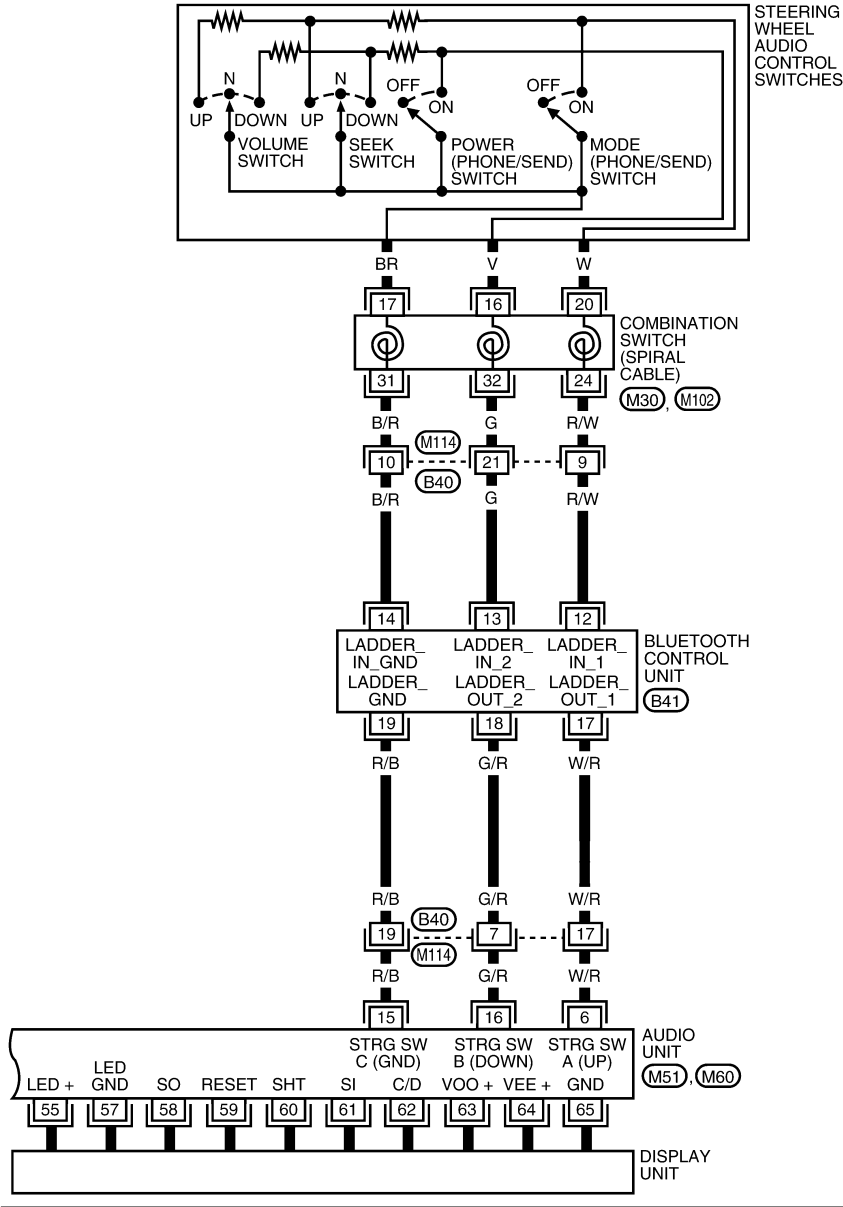
\*: THIS CONNECTOR IS NOT SHOWN IN "HARNESS LAYOUT" OF PG SECTION.

WKWA4937E

# INTEGRATED DISPLAY SYSTEM

< SERVICE INFORMATION >  
WITH BLUETOOTH

AV-INF/D-03



\*: THIS CONNECTOR IS NOT SHOWN IN "HARNESS LAYOUT" OF PG SECTION.

WKWA5085E

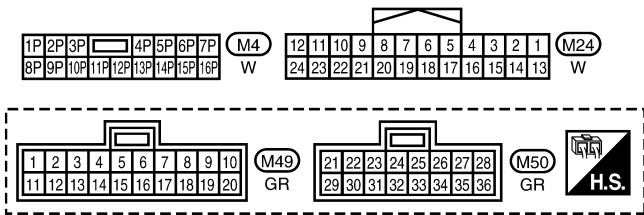
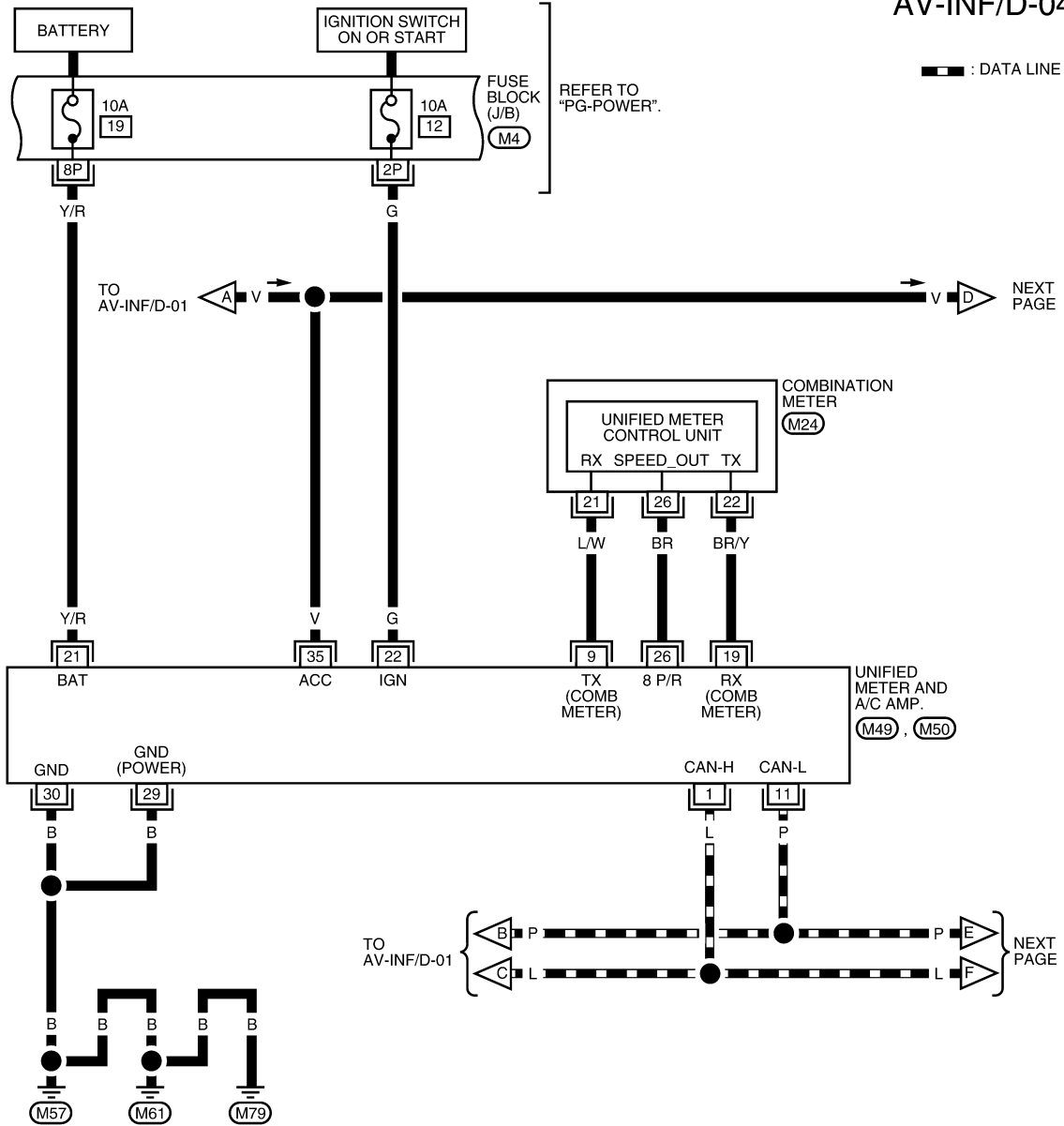
A  
B  
C  
D  
E  
F  
G  
H  
I  
J  
L  
M  
N  
O  
P

AV

# INTEGRATED DISPLAY SYSTEM

< SERVICE INFORMATION >

AV-INF/D-04

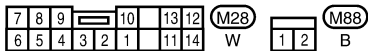
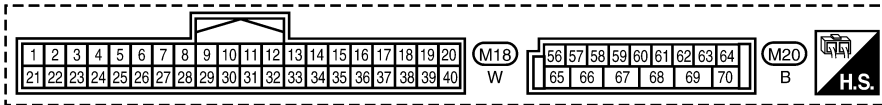
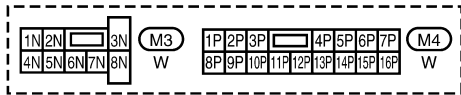
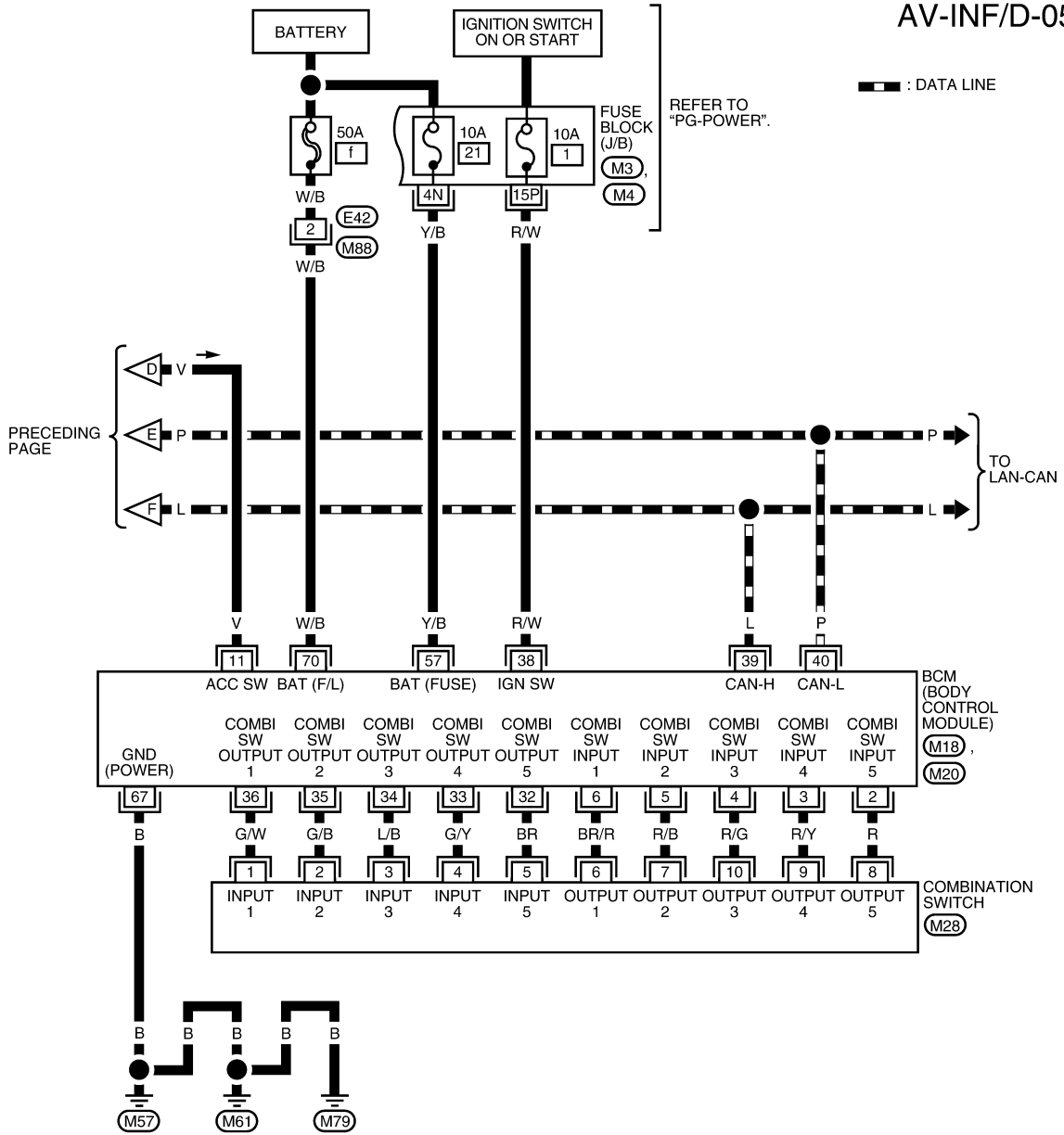


WKWA4938E

# INTEGRATED DISPLAY SYSTEM

< SERVICE INFORMATION >

AV-INF/D-05



WKWA4939E

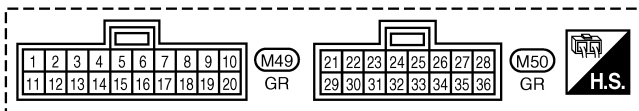
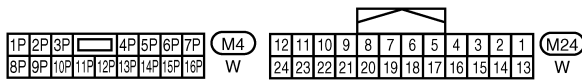
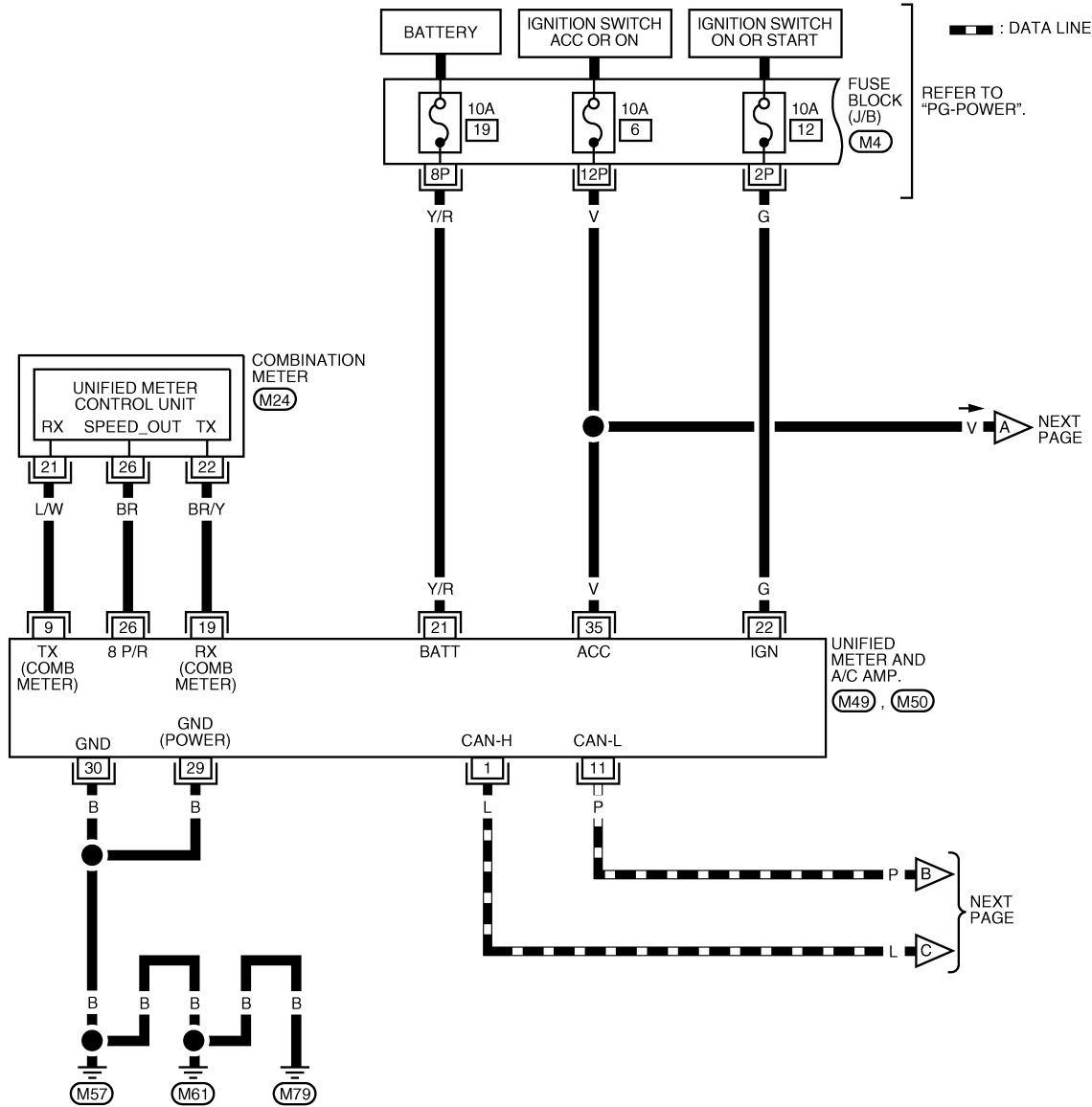
# INTEGRATED DISPLAY SYSTEM

< SERVICE INFORMATION >

## Wiring Diagram - COMM -

INFOID:00000001721879

### AV-COMM-01



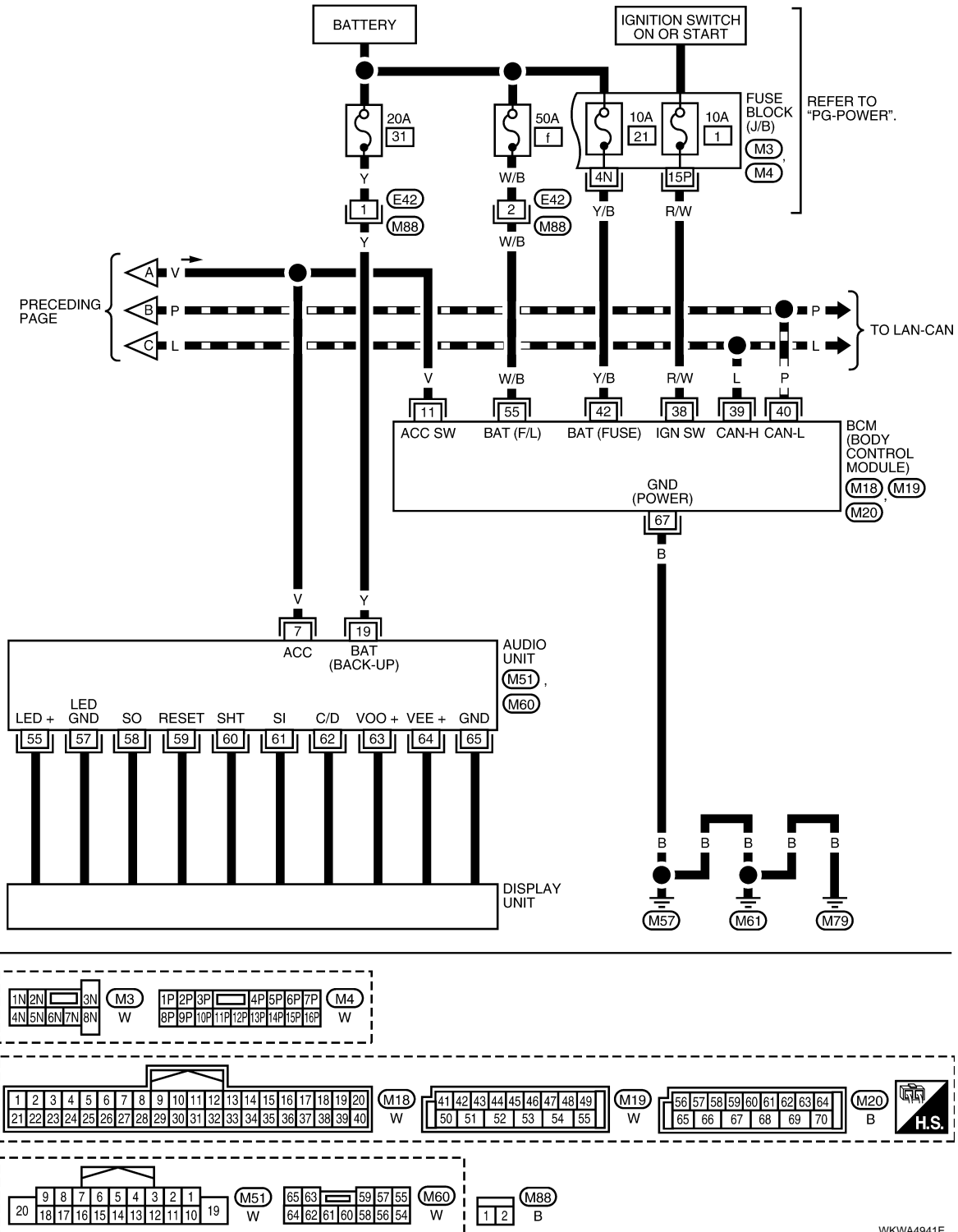
WKWA4940E

# INTEGRATED DISPLAY SYSTEM

< SERVICE INFORMATION >

AV-COMM-02

— : DATA LINE



A  
B  
C  
D  
E  
F  
G  
H  
I  
J  
K  
L  
M  
N  
O  
P

AV

## Terminal and Reference Value for AV Switch

INFOID:000000001721880

Refer to [AV-44. "Terminal and Reference Value for AV Switch"](#).

## On Board Self-Diagnosis Function

INFOID:000000001721881

### DESCRIPTION

- Diagnosis function consists of the self-diagnosis mode performed automatically.

# INTEGRATED DISPLAY SYSTEM

## < SERVICE INFORMATION >

- Self-diagnosis mode checks for connections between the units constituting this system, analyzes each individual unit at the same time, and displays the results on the LCD screen.

### DIAGNOSIS ITEM

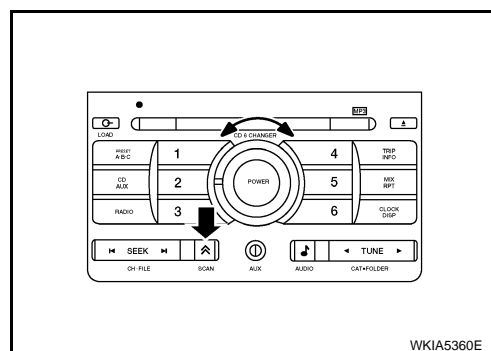
Mode	Item	Description	Reference page
Self-diagnosis	VERSION CHECK	Displays version of each unit.	<a href="#">AV-104. "Self-Diagnosis Mode"</a>
	CHANNEL CHECK	Perform self-diagnosis for audio system speaker channels.	<a href="#">AV-104. "Self-Diagnosis Mode"</a>
	BUTTON CHECK	Displays name of each switch as it is pressed.	<a href="#">AV-104. "Self-Diagnosis Mode"</a>
	CAN CHECK	Display unit displays CAN communication status.	<a href="#">AV-104. "Self-Diagnosis Mode"</a>

### Self-Diagnosis Mode

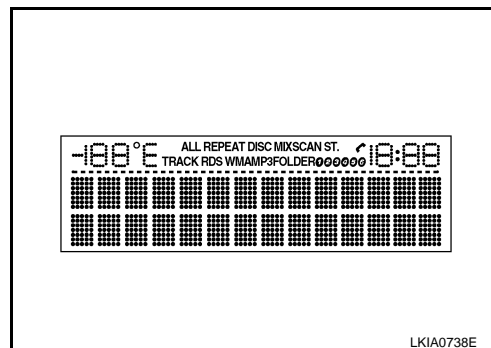
INFOID:000000001721882

### OPERATION PROCEDURES

1. Start the engine.
2. Turn the audio system off.
3. While pressing the "SCAN" button, turn the volume control dial clockwise or counterclockwise for 30 clicks or more. When the self-diagnosis mode is started a short beep will be heard.

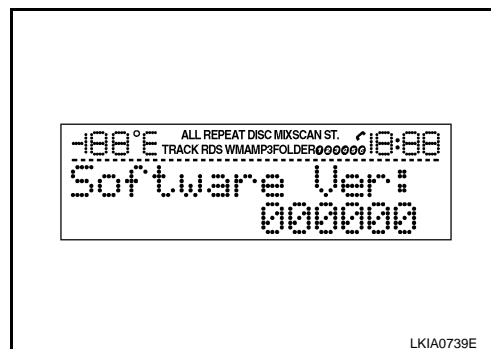


4. When the self-diagnosis mode is started all of the display segments will be illuminated.



### VERSION CHECK

1. Press the "AUDIO" switch to enter version diagnostics. Press "AUDIO" switch again to display the "Software Ver.:" (audio software version).

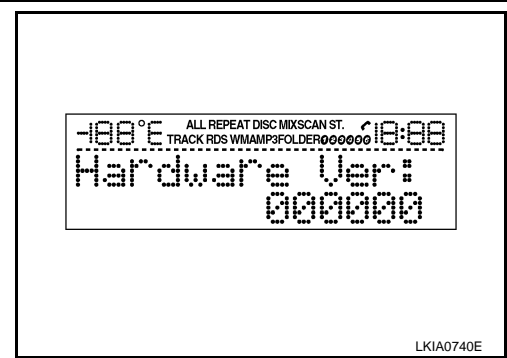




# INTEGRATED DISPLAY SYSTEM

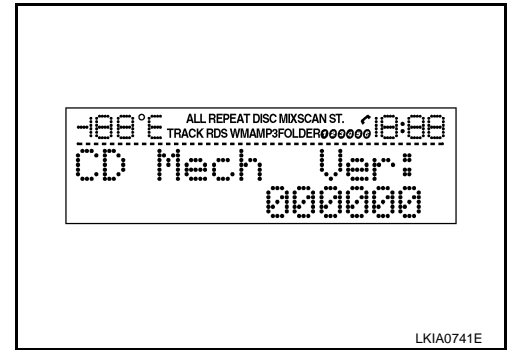
## < SERVICE INFORMATION >

2. Press "AUDIO" switch again to display the "Hardware Ver:" (audio hardware version).



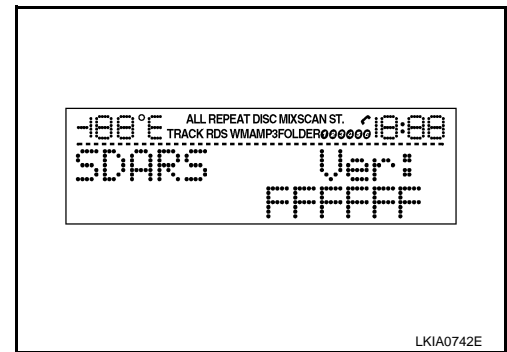
A  
B  
C

3. Press "AUDIO" switch again to display the "CD Mech Ver:" (CD mechanism version).



D  
E  
F

4. Press "AUDIO" switch again to display the "SDARS Ver:" (satellite radio version).

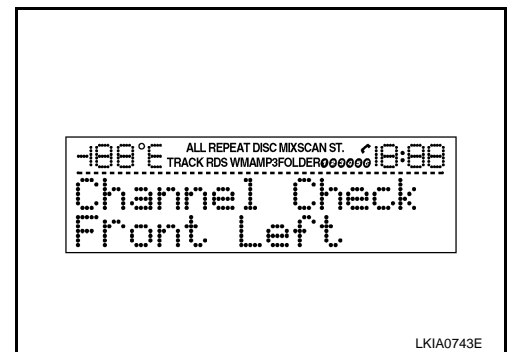


G  
H  
I

J  
AV

## CHANNEL CHECK DIAGNOSTICS

Press the "TUNE" up switch to enter channel check diagnostics. The self-diagnosis function will then display each of the four channels (FL, FR, RL, RR) for 1 second while sending a tone to each channel displayed.



L  
M  
N

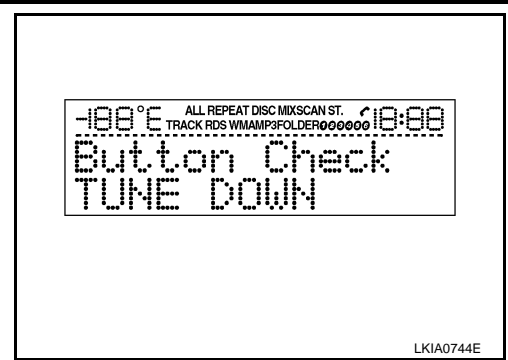
## BUTTON CHECK DIAGNOSTICS

O  
P

# INTEGRATED DISPLAY SYSTEM

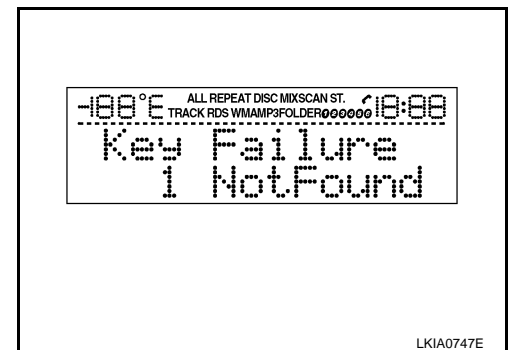
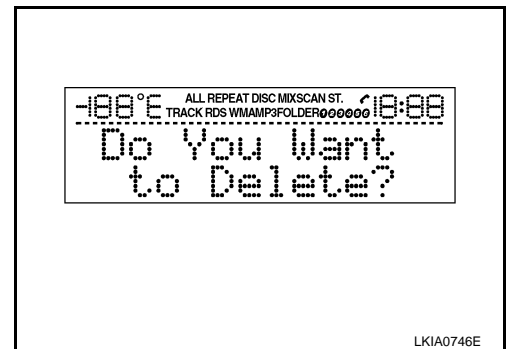
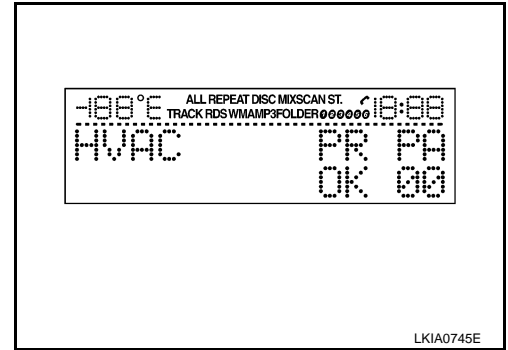
## < SERVICE INFORMATION >

Press the "TUNE" down switch to enter button check diagnostics. Pressing each individual switch will display that switch's name.



## CAN CHECK DIAGNOSTICS

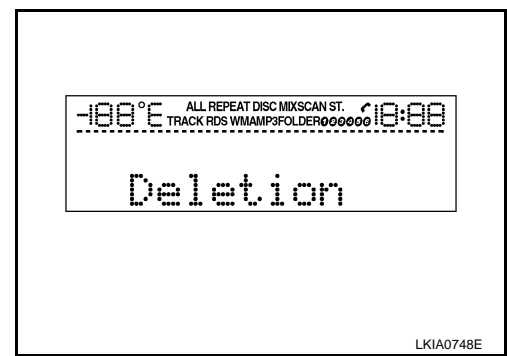
1. Press and hold the "AUDIO" switch for more than 1.5 seconds to enter "CAN check diagnostics". Pressing the "AUDIO" switch again will toggle through "HVAC", "METER", and "BCM".
  - If a current diagnostic result is detected "UN" will be displayed under the heading PR (present)
  - If no current diagnostic result is detected "OK" will be displayed under the heading PR (present)
  - If a past diagnostic result is detected 39 - 0 will be displayed under the heading PA (past), indicating the number of key cycles since that diagnostic result was detected
2. Pressing "AUDIO" again will display "Do You Want To Delete?" If you do not wish to delete any diagnostic results, or no diagnostic results exist, pressing "AUDIO" again will display "Key Failure Not Found". After 6 seconds the display will return to the CAN check diagnostics screen.



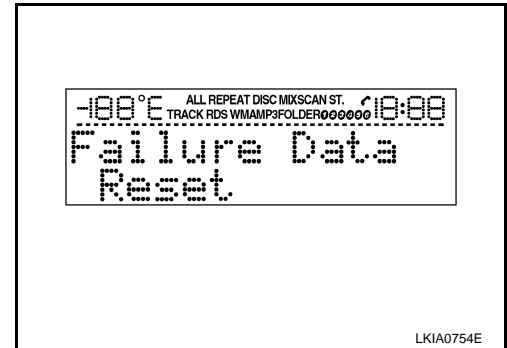
# INTEGRATED DISPLAY SYSTEM

## < SERVICE INFORMATION >

- To delete diagnostic items press "TUNE" to display all diagnostic items then press "TUNE" up/down to select the desired diagnostic item, "Deletion #" will be displayed.



- Press and hold the "SCAN" switch for more than 6 seconds to delete the desired diagnostic item. "Failure Data Reset" will be displayed, followed by a return to the "CAN check diagnostics" screen.



## Trouble Diagnosis Chart by Symptom

INFOID:000000001721883

Symptom	Suspect Systems and reference
No screen is shown.	Refer to <a href="#">AV-34, "Terminal and Reference Value for Audio Unit (Base System)"</a> or <a href="#">AV-36, "Terminal and Reference Value for Audio Unit (BOSE System without NAVI)"</a> . If above is normal, replace display unit.
Screen does not switch to nighttime mode after the lighting switch is turned to 1st.	Refer to <a href="#">AV-34, "Terminal and Reference Value for Audio Unit (Base System)"</a> or <a href="#">AV-36, "Terminal and Reference Value for Audio Unit (BOSE System without NAVI)"</a> . If above is normal, replace display unit.
TRIP and FUEL ECON screen do not appear.	Refer to <a href="#">AV-104, "Self-Diagnosis Mode"</a> . If above is normal, replace display unit.
Average vehicle speed (AVG) is not displayed.	Refer to <a href="#">AV-34, "Terminal and Reference Value for Audio Unit (Base System)"</a> or <a href="#">AV-36, "Terminal and Reference Value for Audio Unit (BOSE System without NAVI)"</a> . If above is normal, replace display unit.
Average fuel consumption (AVG) is not displayed.	Refer to <a href="#">AV-104, "Self-Diagnosis Mode"</a> . If above is normal, replace display unit.
Distance to empty (DTE) is not displayed.	<ul style="list-style-type: none"> <li>Check if speedometer operates. If it does not operate, go to <a href="#">DI-17, "Vehicle Speed Signal Inspection"</a>.</li> <li>Check if fuel gauge operates. If it does not operate, go to <a href="#">DI-19, "Fuel Level Sensor Signal Inspection 1"</a>.</li> <li>Refer to <a href="#">AV-104, "Self-Diagnosis Mode"</a>.</li> </ul> If above is normal, replace display unit.
Door warning screen does not appear.	<ul style="list-style-type: none"> <li>Refer to <a href="#">DI-17, "Vehicle Speed Signal Inspection"</a>.</li> <li>Refer to <a href="#">AV-104, "Self-Diagnosis Mode"</a>.</li> </ul> If above is normal, replace display unit.
Audio operation is not possible.	<ul style="list-style-type: none"> <li>Refer to <a href="#">AV-34, "Terminal and Reference Value for Audio Unit (Base System)"</a> or <a href="#">AV-36, "Terminal and Reference Value for Audio Unit (BOSE System without NAVI)"</a>.</li> </ul> If above is normal, replace display unit. Refer to <a href="#">AV-108, "Removal and Installation"</a> .

# INTEGRATED DISPLAY SYSTEM

< SERVICE INFORMATION >

---

## Audio Unit Terminal Value Check

INFOID:000000001721884

### 1. CHECK TERMINAL VALUES FOR AUDIO UNIT TO THE DISPLAY UNIT CIRCUITS

Check audio unit terminals 55, and 57 through 65 reference values. Refer to [AV-34, "Terminal and Reference Value for Audio Unit \(Base System\)"](#).

#### OK or NG

- OK >> Replace the display unit. Refer to [AV-108, "Removal and Installation"](#).
- NG >> Replace the audio unit. Refer to [AV-74, "Removal and Installation"](#).

## Steering Switch Check

INFOID:000000001721885

Refer to "Steering Switch Check" or [AV-57, "Steering Switch Check \(With Bluetooth and without NAVI\)"](#).

## Removal and Installation

INFOID:000000001721886

### AV SWITCH

Refer to [AV-74, "Removal and Installation"](#).

### DISPLAY UNIT

Refer to [IP-13, "Center Stack Assembly"](#).

### STEERING WHEEL AUDIO CONTROL SWITCHES

To replace steering wheel audio control switches it is necessary to replace the steering wheel. Refer to [PS-9, "Removal and Installation"](#).

# NAVIGATION SYSTEM

< SERVICE INFORMATION >

## NAVIGATION SYSTEM

### System Description

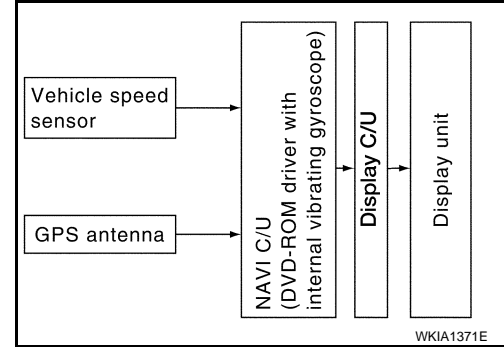
INFOID:000000001721887

**NOTE:**

Refer to NAVI System Owner's Manual for system operation.

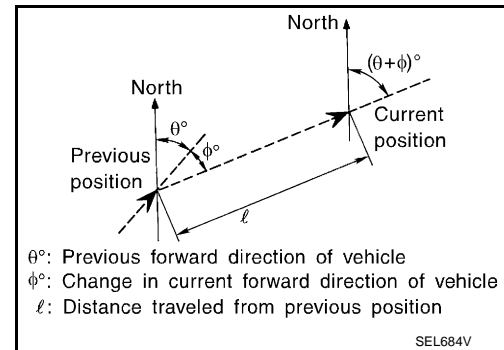
The navigation system periodically calculates the vehicle's current position according to the following three signals: Travel distance of the vehicle as determined by the vehicle speed sensor, turning angle of the vehicle as determined by the gyroscope (angular velocity sensor), and the direction of vehicle travel as determined by the GPS antenna (GPS information).

The current position of the vehicle is then identified by comparing the calculated vehicle position with map data read from the map DVD-ROM, which is stored in the DVD-ROM drive (map-matching), and indicated on the screen with a current-location mark.



By comparing the vehicle position detection results found by the GPS and by map-matching, more accurate vehicle position data can be used.

The current vehicle position will be calculated by detecting the distance the vehicle moved from the previous calculation point and its direction.



### TRAVEL DISTANCE

Travel distance calculations are based on the vehicle speed sensor input signal. Therefore, the calculation may become incorrect as the tires wear down. To prevent this, an automatic distance fine adjustment function has been adopted.

### TRAVEL DIRECTION

Change in the travel direction of the vehicle is calculated by a gyroscope (angular velocity sensor) and a GPS antenna (GPS information). As the gyroscope and GPS antenna have both merit and demerit, input signals from them are prioritized in each situation. However, this order of priority may change in accordance with more detailed travel conditions so that the travel direction is detected more accurately.

Type	Advantage	Disadvantage
Gyroscope (angular velocity sensor)	<ul style="list-style-type: none"> <li>Can detect the vehicle's turning angle quite accurately.</li> </ul>	<ul style="list-style-type: none"> <li>Direction errors may accumulate when the vehicle is driven for long distances without stopping.</li> </ul>
GPS antenna (GPS information)	<ul style="list-style-type: none"> <li>Can detect the vehicle's travel direction (North/South/East/West).</li> </ul>	<ul style="list-style-type: none"> <li>Correct direction cannot be detected when the vehicle speed is low.</li> </ul>

### MAP-MATCHING

A  
B  
C  
D  
E  
F  
G  
H  
I  
J  
AV  
L  
M  
N  
O  
P

# NAVIGATION SYSTEM

## < SERVICE INFORMATION >

Map-matching is a function that repositions the vehicle on the road map when a new location is judged to be the most accurate. This is done by comparing the current vehicle position, calculated by the method described in the position detection principle, with the road map data around the vehicle, read from the map DVD-ROM stored in the DVD-ROM drive.

Therefore, the vehicle position may not be corrected after the vehicle is driven over a certain distance or time in which GPS information is hard to receive. In this case, the current-location mark on the display must be corrected manually.

### CAUTION:

**The road map data is based on data stored in the map DVD-ROM.**

- In map-matching, alternative routes to reach the destination will be shown and prioritized, after the road on which the vehicle is currently driven has been judged and the current-location mark has been repositioned.

If there is an error in distance and/or direction, the alternative routes will be shown in different order of priority, and the wrong road can be avoided.

If two roads are running in parallel, they are of the same priority. Therefore, the current-location mark may appear on either of them alternately, depending on maneuvering of the steering wheel and configuration of the road.

- Map-matching does not function correctly when the road on which the vehicle is driving is new and not recorded in the map DVD-ROM, or when the road pattern stored in the map data and the actual road pattern are different due to repair.

When driving on a road not present in the map, the map-matching function may find another road and position the current-location mark on it. Then, when the correct road is detected, the current-location mark may leap to it.

- Effective range for comparing the vehicle position and travel direction calculated by the distance and direction with the road data read from the map DVD-ROM is limited. Therefore, when there is an excessive gap between the current vehicle position and the position on the map, correction by map-matching is not possible.

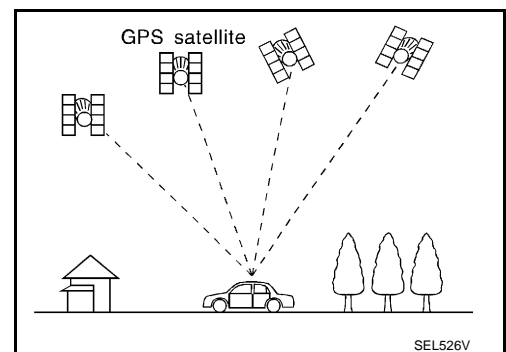
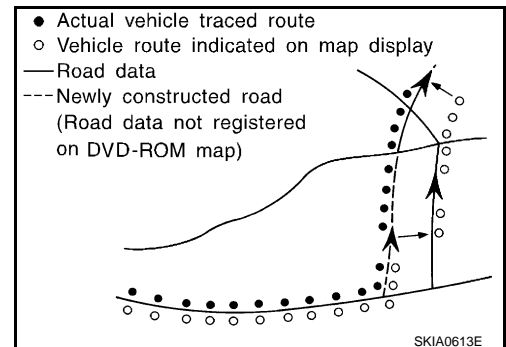
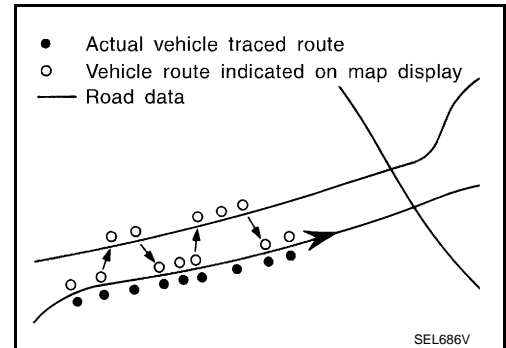
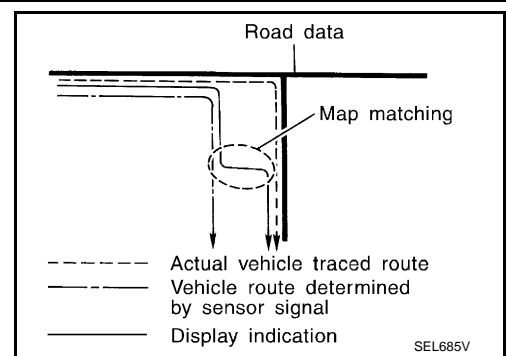
## GPS (GLOBAL POSITIONING SYSTEM)

GPS (Global Positioning System) has been developed and controlled by the US Department of Defense. The system utilizes GPS satellite (NAVSTAR), sending out radio waves while flying on an orbit around the earth at the height of approx. 21,000 km (13,000 miles).

The GPS receiver calculates the vehicle's position in three dimensions (latitude/longitude/altitude) according to the time lag of the radio waves received from four or more GPS satellites (three-dimensional positioning). If radio waves were received only from three GPS satellites, the GPS receiver calculates the vehicle's position in two dimensions (latitude/longitude), utilizing the altitude data calculated previously by using radio waves from four or more GPS satellites (two-dimensional positioning).

Accuracy of the GPS will deteriorate under the following conditions.

- In two-dimensional positioning, the GPS accuracy will deteriorate when the altitude of the vehicle position changes.
- There may be an error of approximately 10 m (30 ft.) in position detected by three-dimensional positioning, which is more accurate than two-dimensional positioning. The accuracy can be even lower depending on the arrangement of the GPS satellites utilized for the positioning.
- Position detection is not possible when the vehicle is in an area where radio waves from the GPS satellite do not reach, such as in a tunnel, parking lot in a building, and under an elevated highway. Radio waves from the GPS satellites may not be received when some object is located over the GPS antenna.



# NAVIGATION SYSTEM

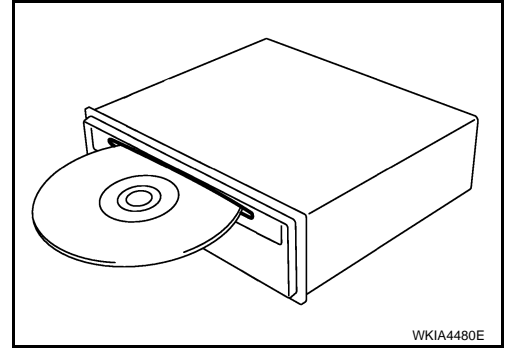
## < SERVICE INFORMATION >

- Position correction by GPS is not available while the vehicle is stopped.

## COMPONENT DESCRIPTION

### NAVI Control Unit

- The gyro (angular speed sensor) and the DVD-ROM drive are built-in units that control the navigation functions.
- Signals are received from the gyro, the vehicle speed sensor, and the GPS antenna. Vehicle location is determined by combining this data with the data contained in the DVD-ROM map. Location information is shown on liquid crystal display (display unit).
- Maps, traffic control regulations, and other pertinent information can be easily read from the DVD-ROM disc.
- The oscillator gyro sensor is used to detect changes in vehicle steering angle.



### Map DVD-ROM

- The map DVD-ROM has maps, traffic control regulations, and other pertinent information.
- To improve DVD-ROM map matching and route determination functions, the DVD-ROM uses an exclusive Nissan format. Therefore, the use of a DVD-ROM provided by other manufacturers cannot be used.

### Display Control Unit

The display control unit coordinates audio and video signals between the NAVI control unit and the display unit.

### Display Unit

Displays NAVI system information.

### AV Switch

AV switch allows user to input NAVI display settings. Self diagnostics are initiated using AV switch.

### GPS Antenna

GPS antenna sends signals to NAVI control unit.

A  
B  
C  
D  
E  
F  
G  
H  
I  
J  
L  
M  
N  
O  
P

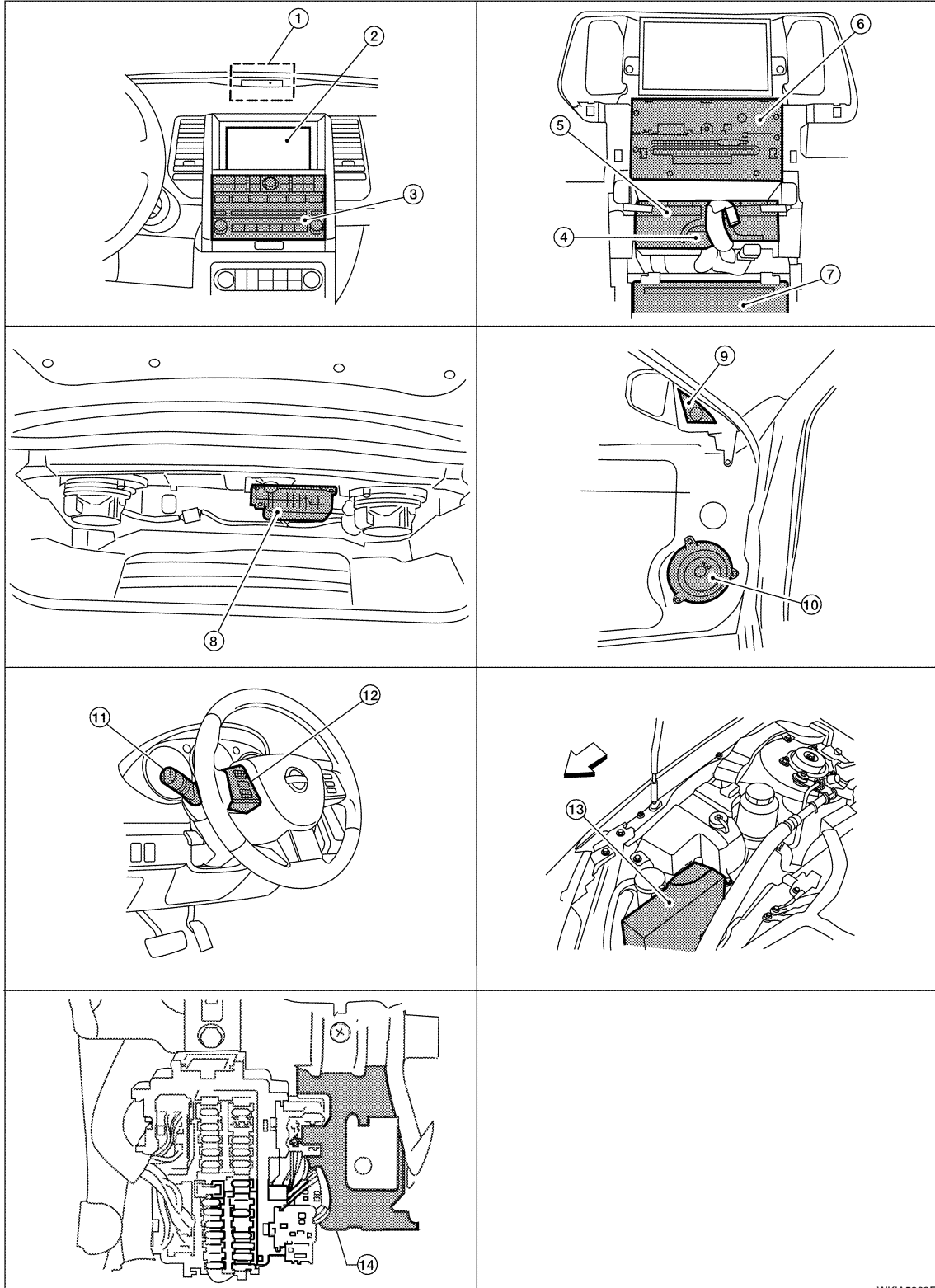
AV

# NAVIGATION SYSTEM

< SERVICE INFORMATION >

## Component Parts Location

INFOID:000000001721889



WKIA5363E

- |   |  |                             |
|---|--|-----------------------------|
| 1. GPS antenna  | 2. Display unit M93  | 3. AV switch M98            |
| 4. Display control unit M94, M95<br>(view with cluster lid D removed) | 5. Unified meter and A/C amp. M49, M50                                 | 6. Audio unit M43, M44, M45 |
| 7. NAVI control unit M96, M97, M121                                   | 8. BOSE speaker amp. B127, B128<br>(view of underside of parcel shelf) | 9. Tweeter LH D12           |



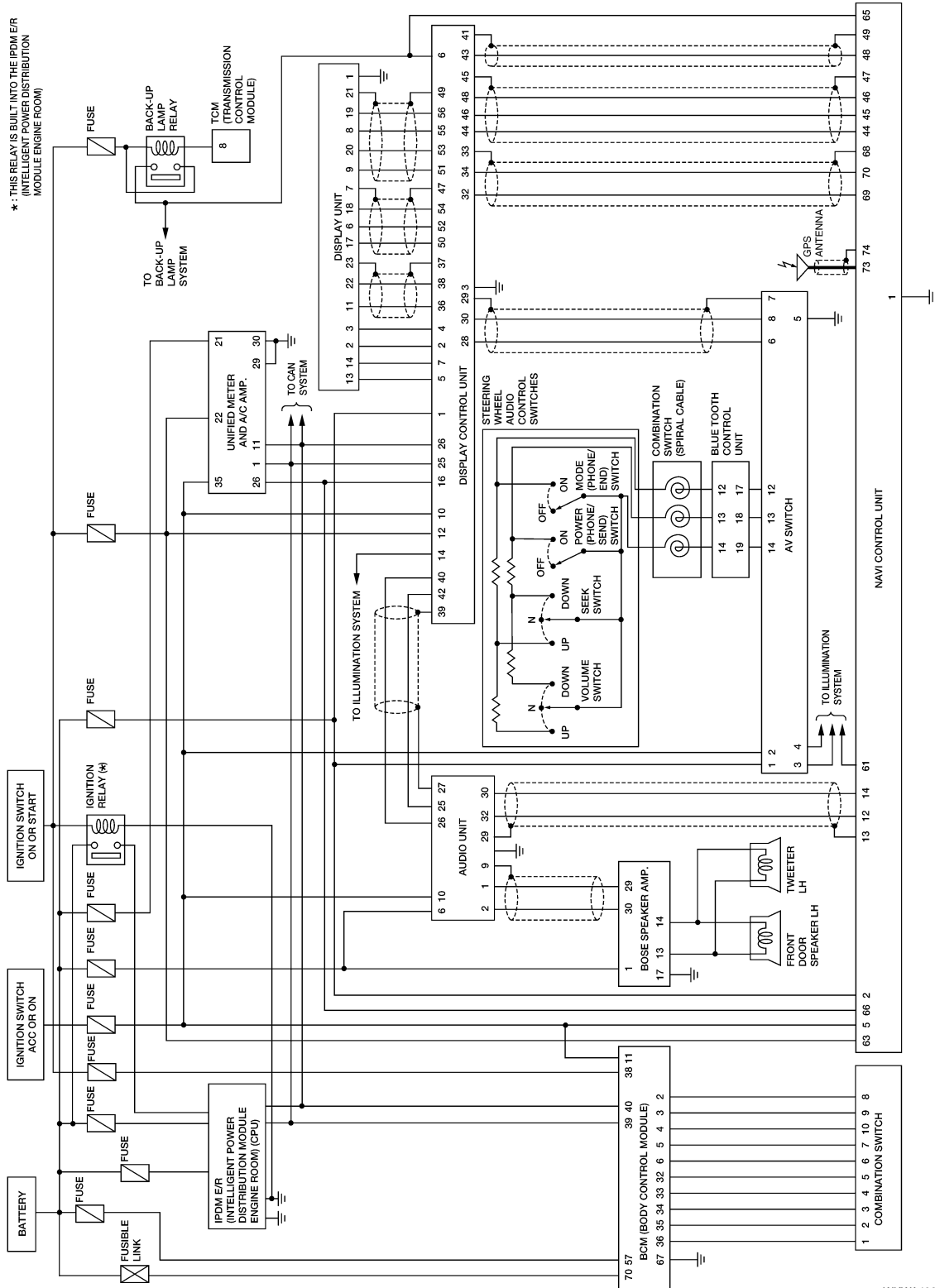
# NAVIGATION SYSTEM

## < SERVICE INFORMATION >

- 10. Front door speaker LH D3
  - 11. Combination switch (Spiral cable) M28
  - 12. Steering wheel audio control switches (M30, M102)
  - 13. IPDM E/R E121, E124
  - 14. BCM M18, M19
- ←: Front

## Schematic

INFOID:000000001721890



WKWA4922E

A  
B  
C  
D  
E  
F  
G  
H  
I  
J  
K  
L  
M  
N  
O  
P

AV

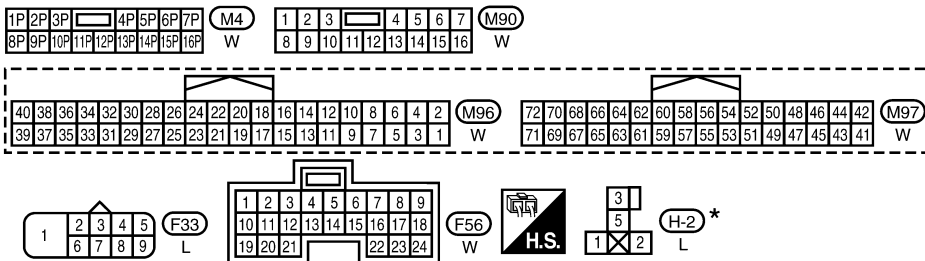
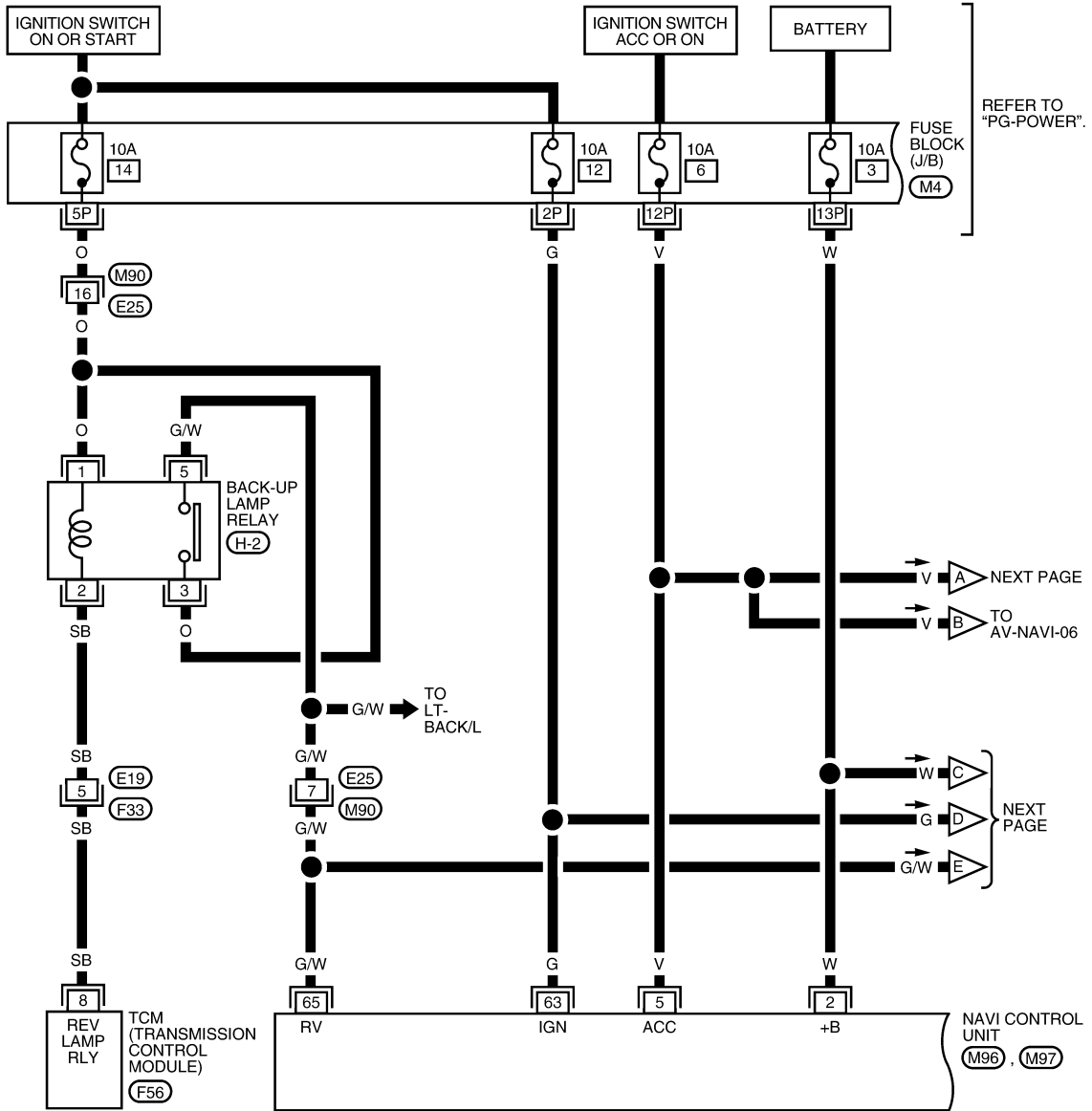
# NAVIGATION SYSTEM

< SERVICE INFORMATION >

## Wiring Diagram - NAVI -

INFOID:000000001721891

### AV-NAVI-01

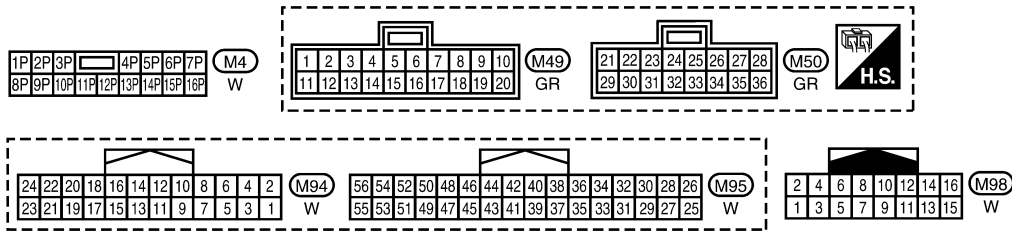
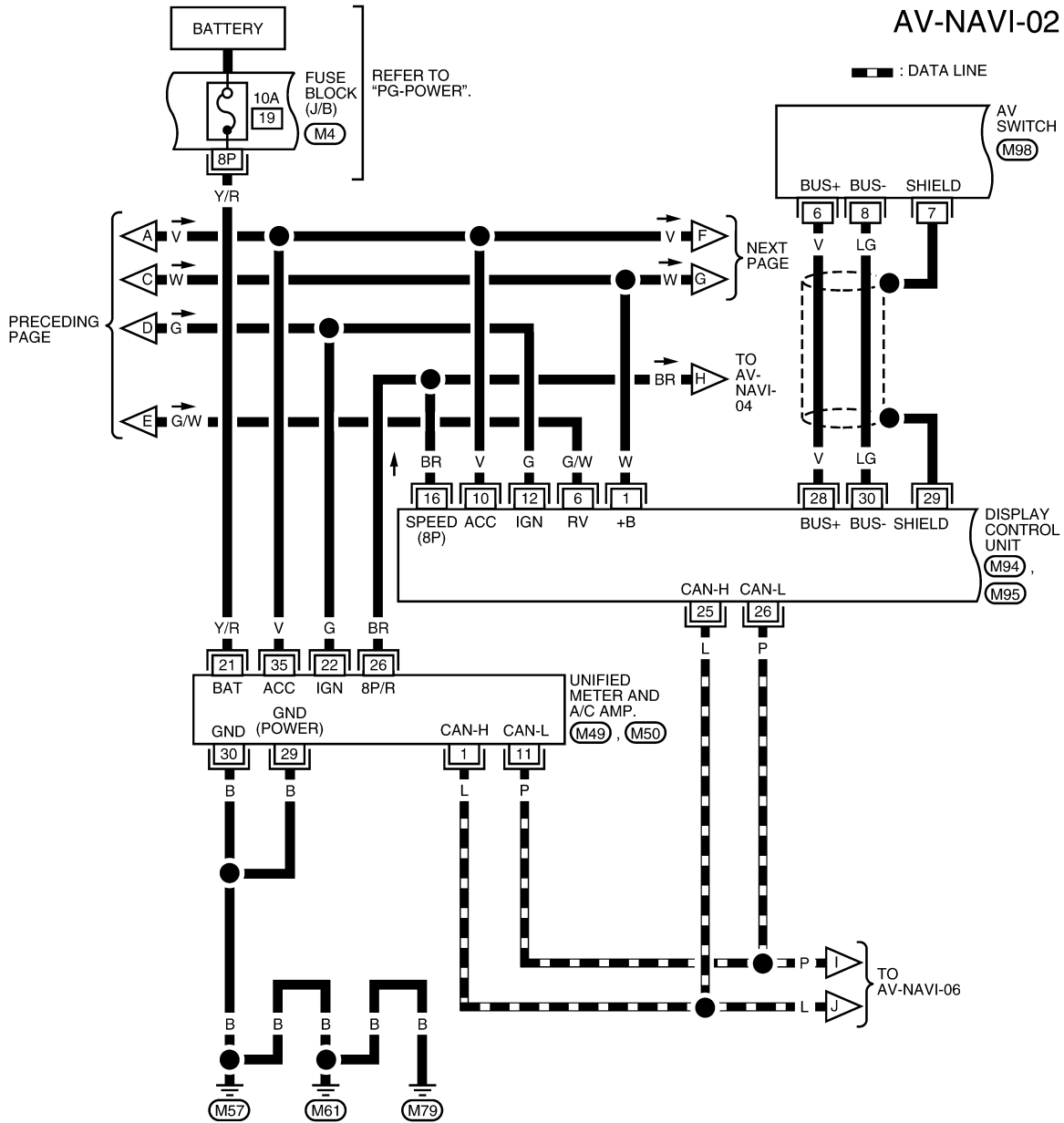


\*: THIS CONNECTOR IS NOT SHOWN IN "HARNESS LAYOUT" OF PG SECTION.

WKWA4923E

# NAVIGATION SYSTEM

< SERVICE INFORMATION >



WKWA4924E

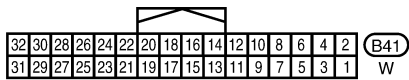
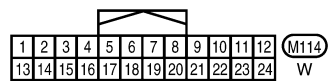
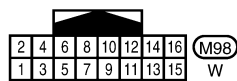
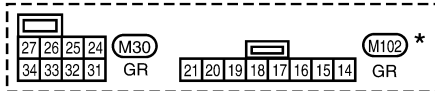
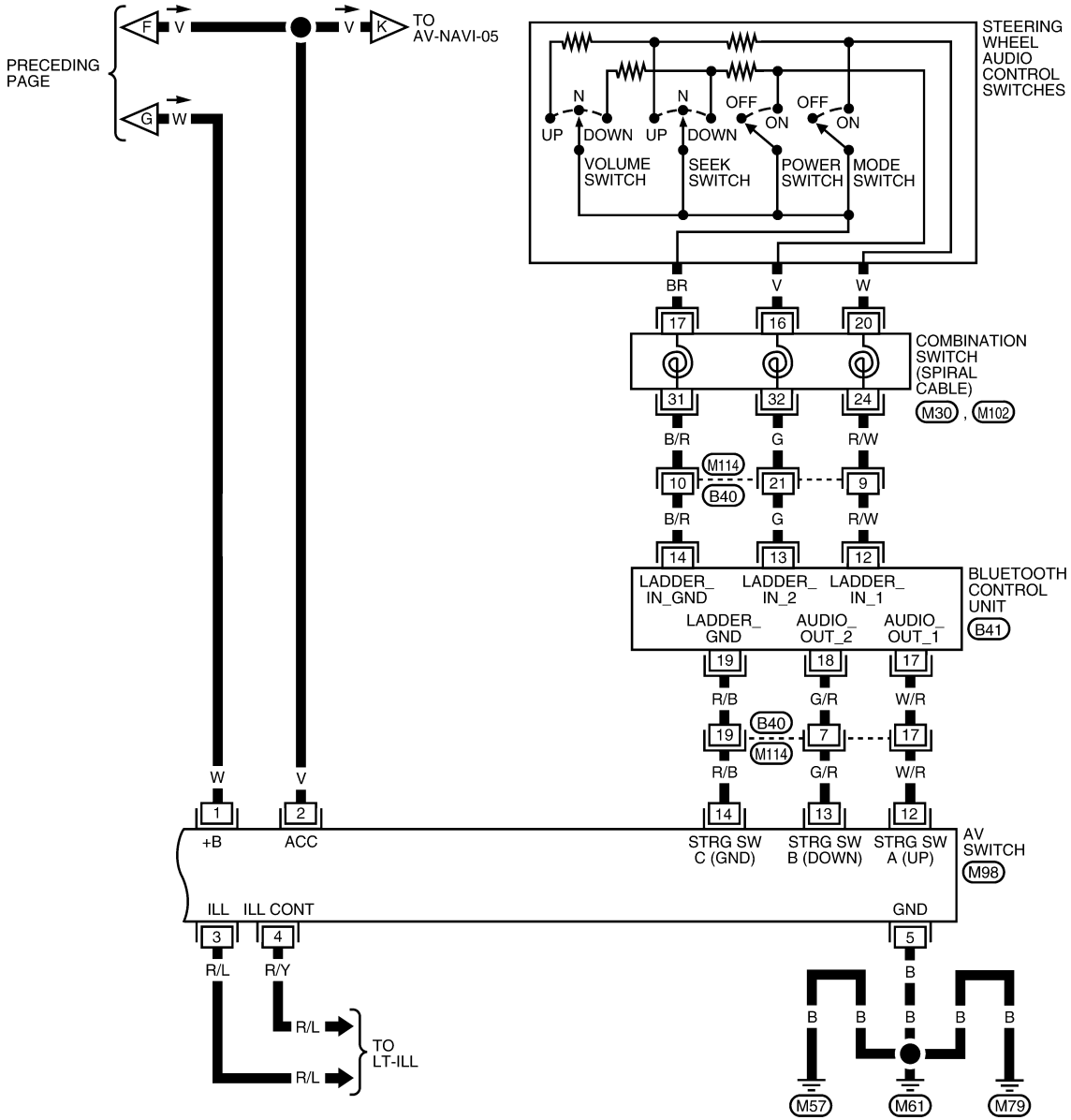
A  
B  
C  
D  
E  
F  
G  
H  
I  
J  
L  
M  
N  
O  
P

AV

# NAVIGATION SYSTEM

< SERVICE INFORMATION >

## AV-NAVI-03



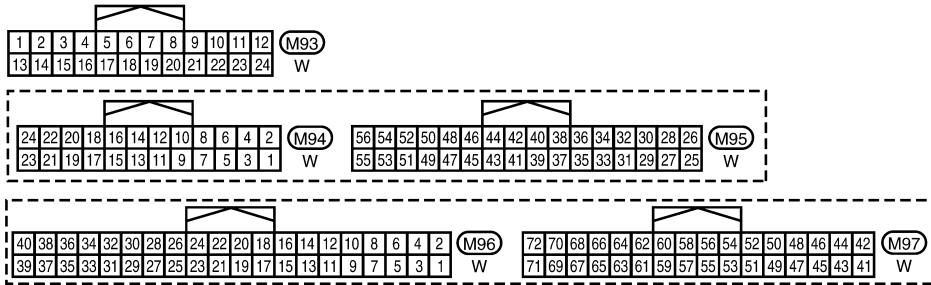
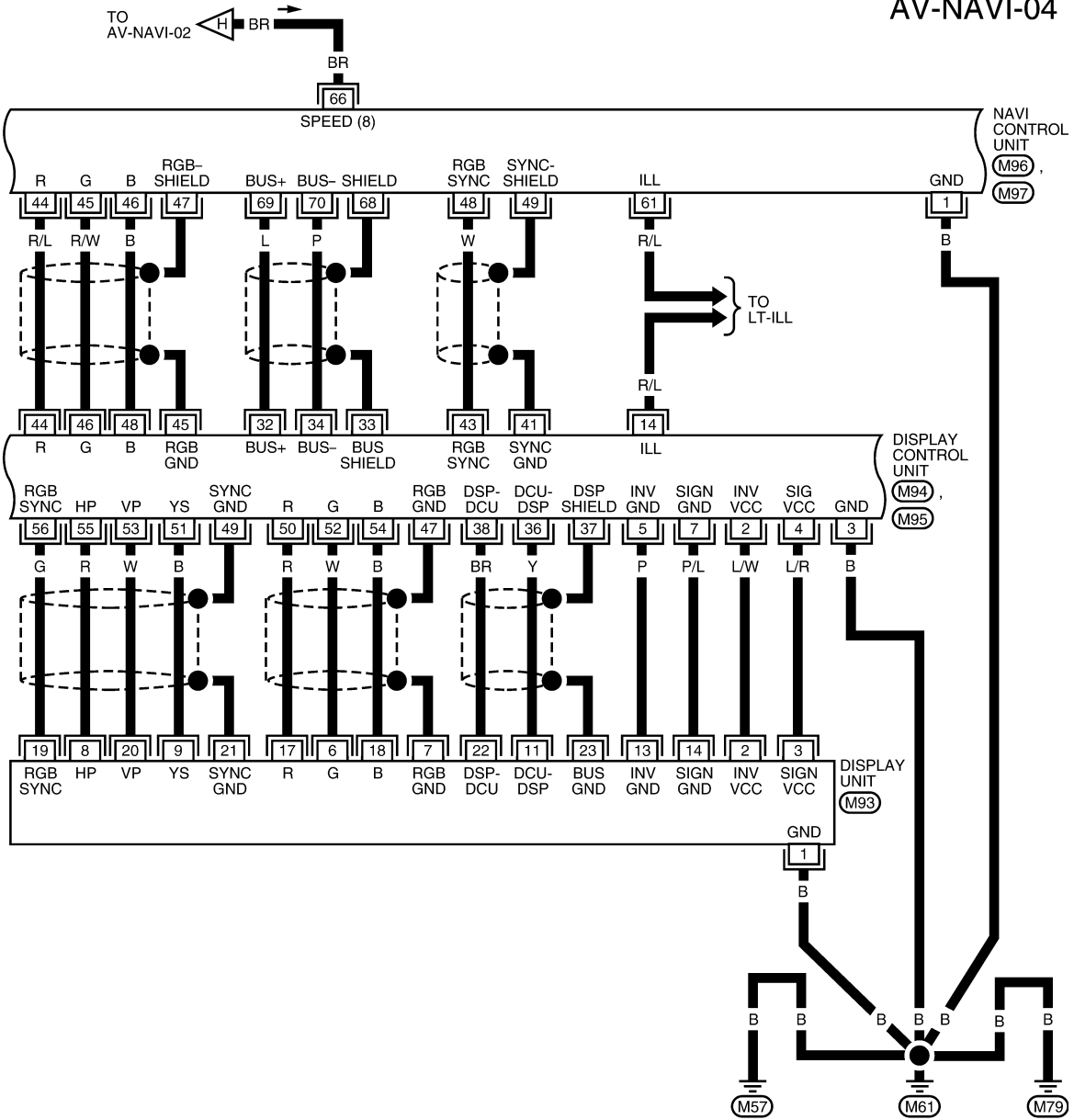
\* : THIS CONNECTOR IS NOT SHOWN IN "HARNESS LAYOUT" OF PG SECTION.

WKWA4925E

# NAVIGATION SYSTEM

< SERVICE INFORMATION >

AV-NAVI-04

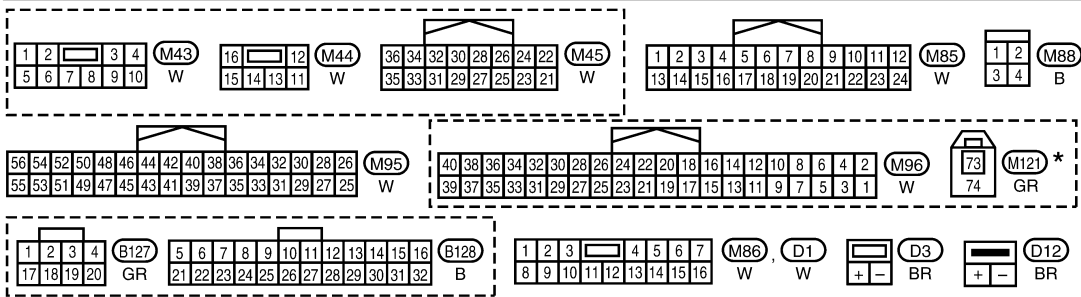
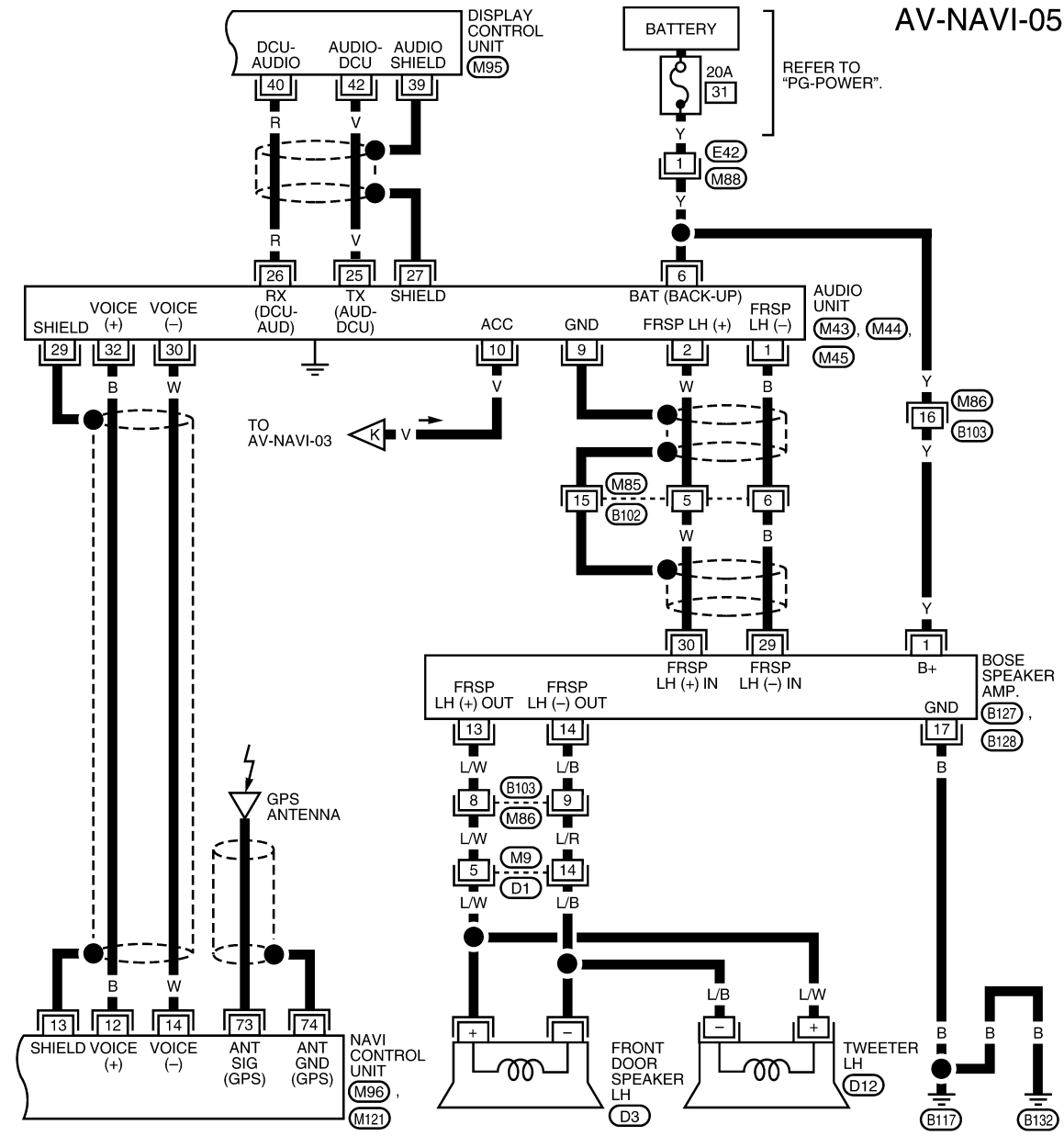


WKWA4926E

# NAVIGATION SYSTEM

< SERVICE INFORMATION >

AV-NAVI-05



\*: THIS CONNECTOR IS NOT SHOWN IN "HARNESS LAYOUT" OF PG SECTION.

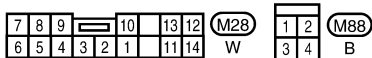
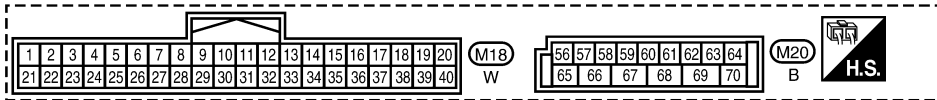
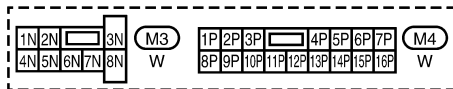
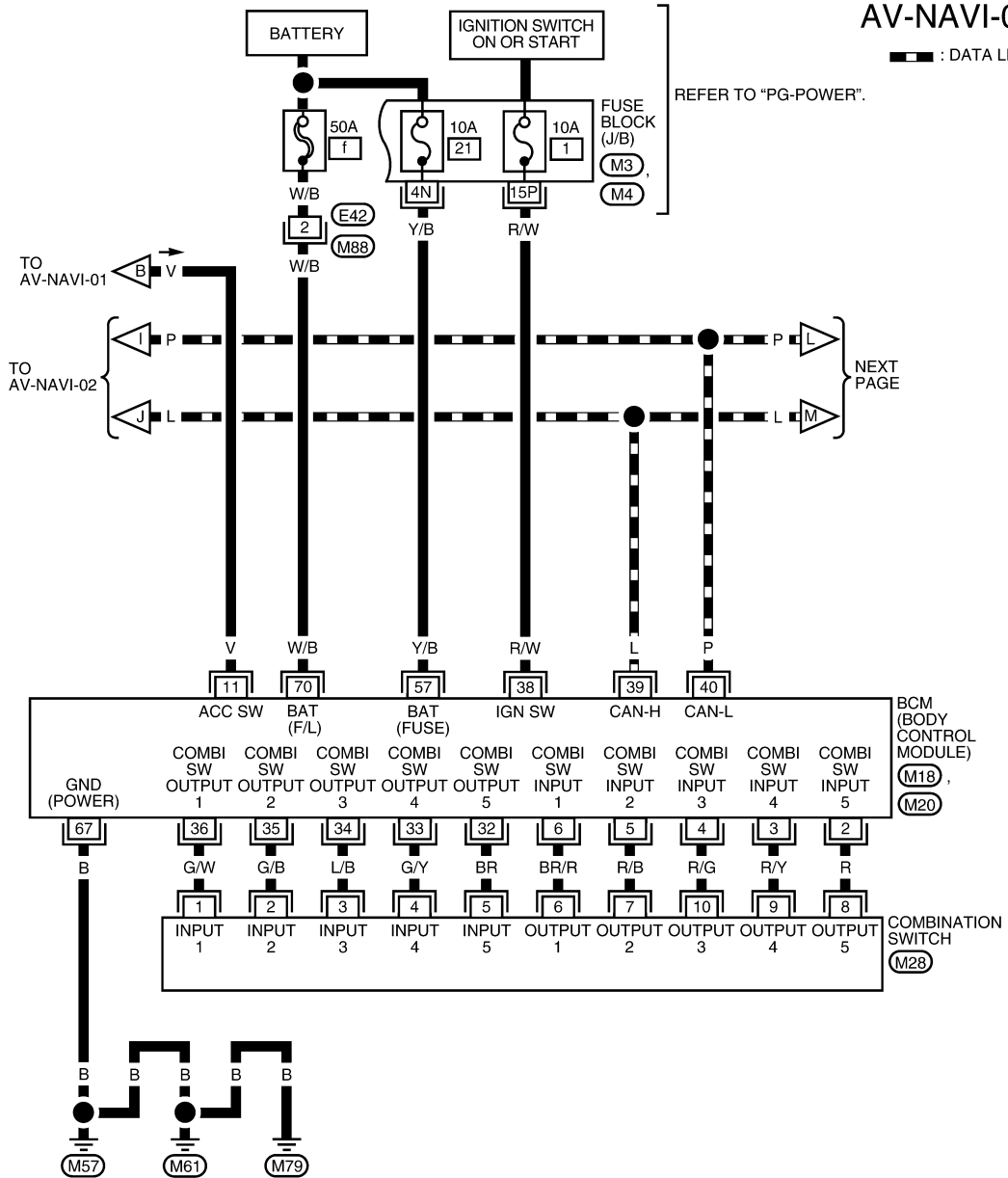
WKWA4927E

# NAVIGATION SYSTEM

< SERVICE INFORMATION >

AV-NAVI-06

— : DATA LINE



WKWA4928E

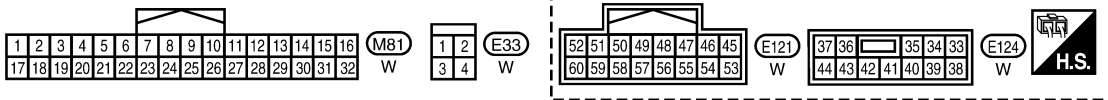
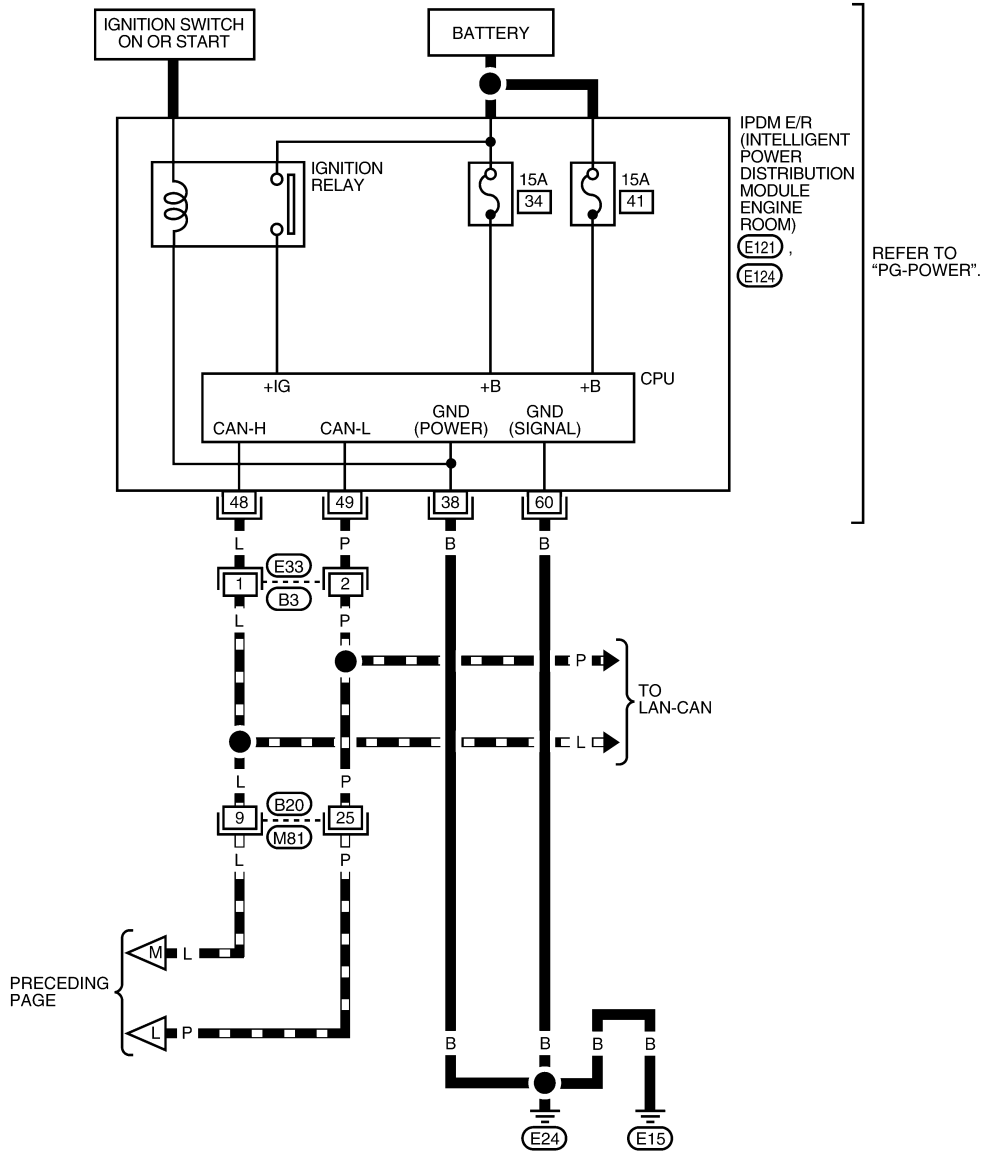
A  
B  
C  
D  
E  
F  
G  
H  
I  
J  
AV  
L  
M  
N  
O  
P

# NAVIGATION SYSTEM

< SERVICE INFORMATION >

AV-NAVI-07

▬ : DATA LINE



WKWA4929E

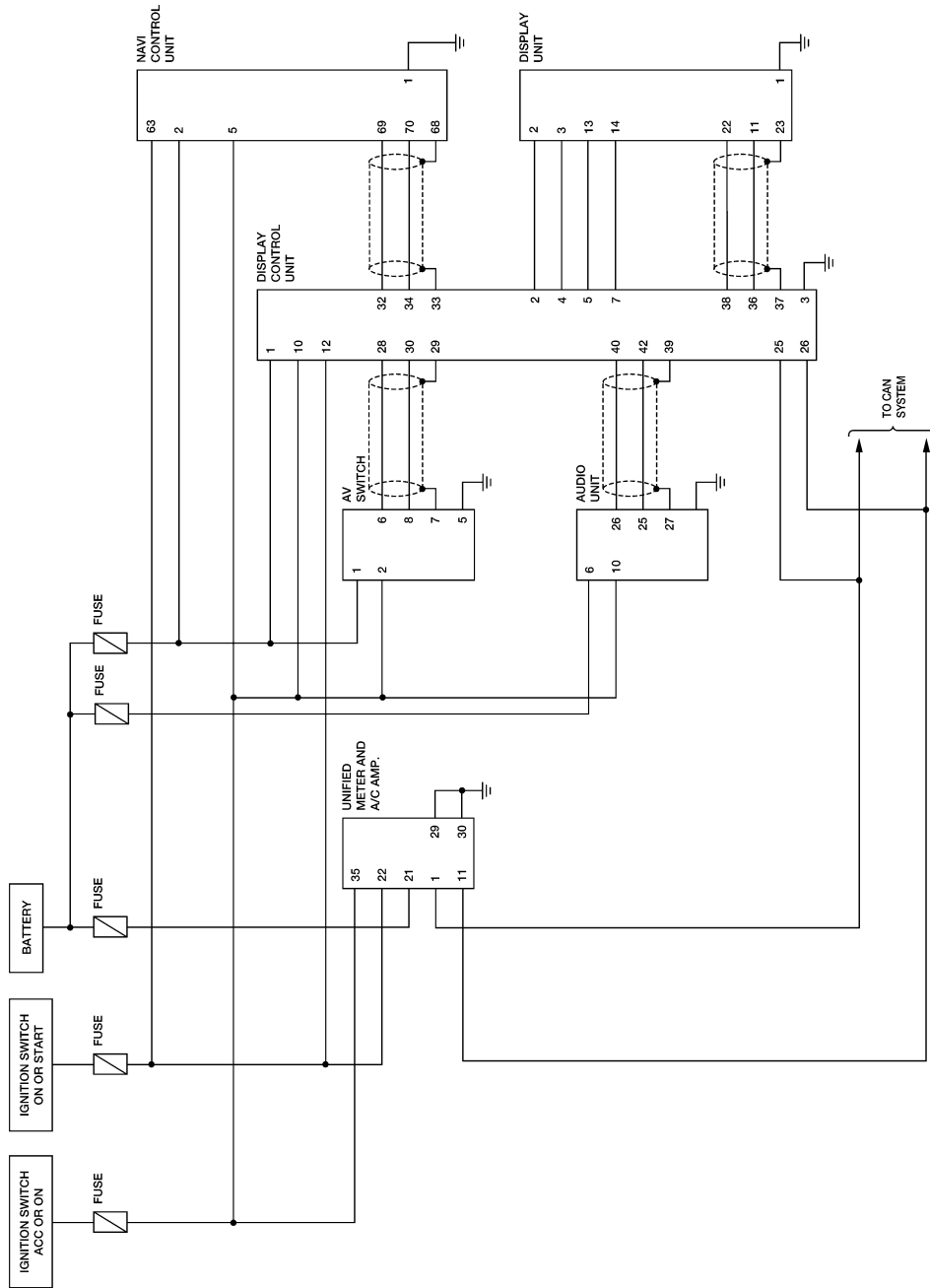


# NAVIGATION SYSTEM

< SERVICE INFORMATION >

## Schematic

INFOID:000000001721892



A  
B  
C  
D  
E  
F  
G  
H  
I  
J  
K  
L  
M  
N  
O  
P

AV

WKWA4930E

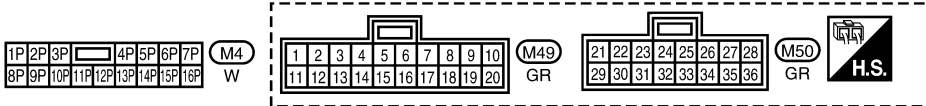
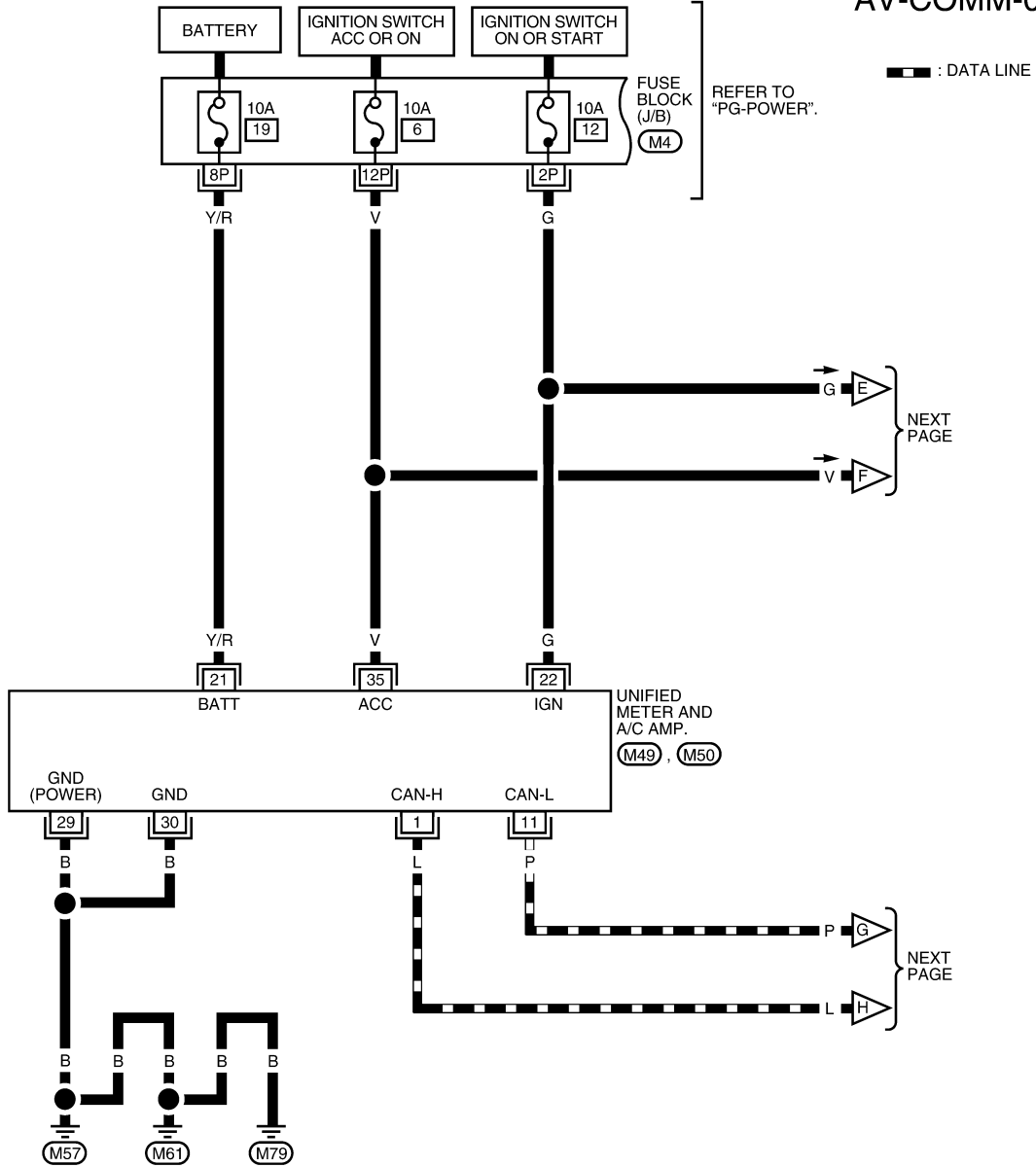
# NAVIGATION SYSTEM

< SERVICE INFORMATION >

## Wiring Diagram - COMM -

INFOID:000000001721893

### AV-COMM-03



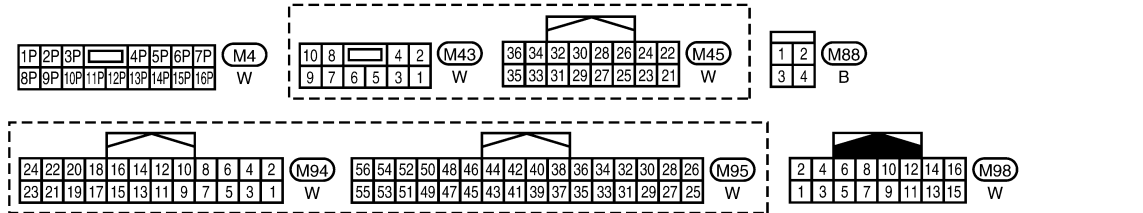
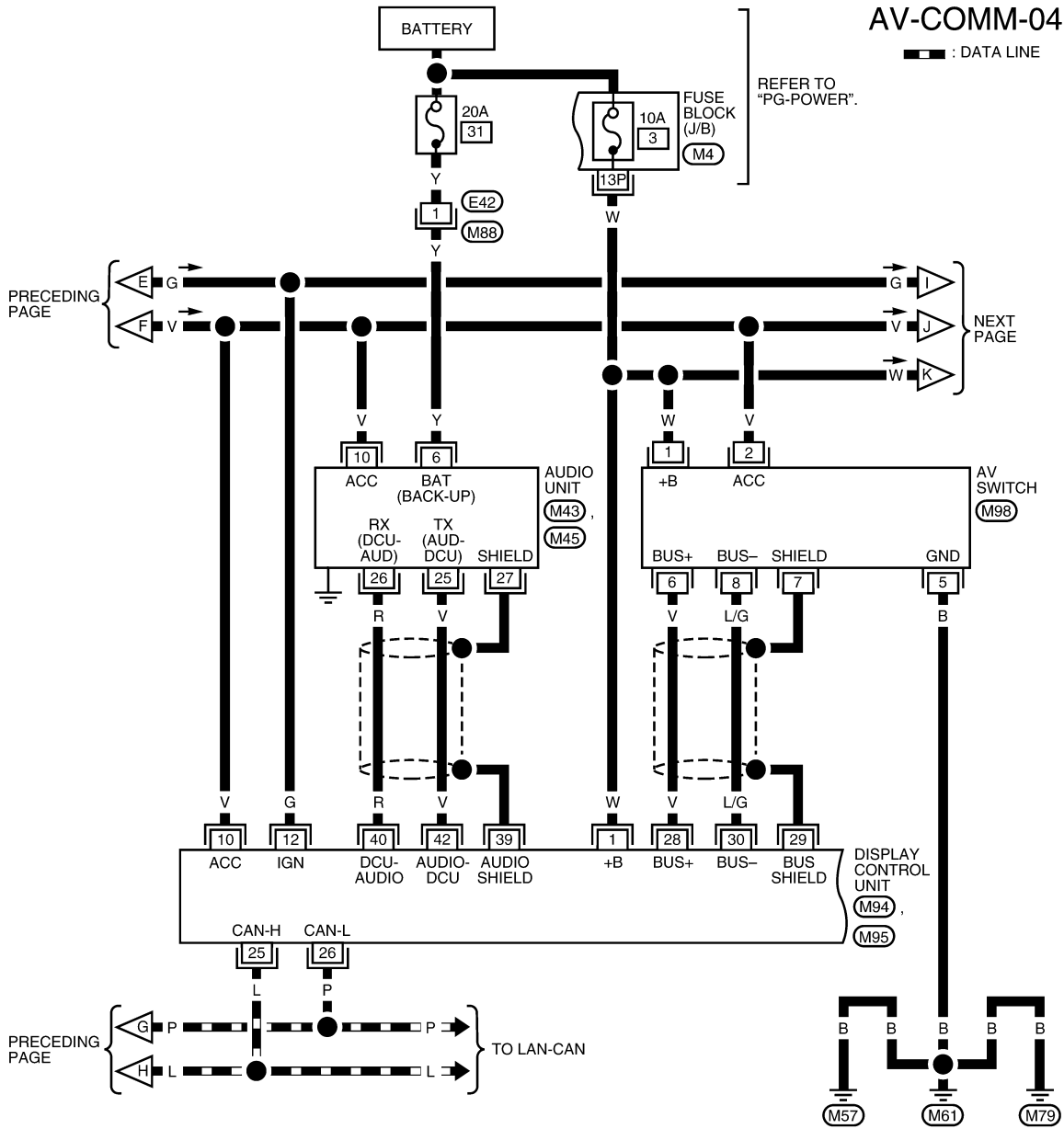
WKWA4931E

# NAVIGATION SYSTEM

< SERVICE INFORMATION >

AV-COMM-04

— : DATA LINE



WKWA4932E

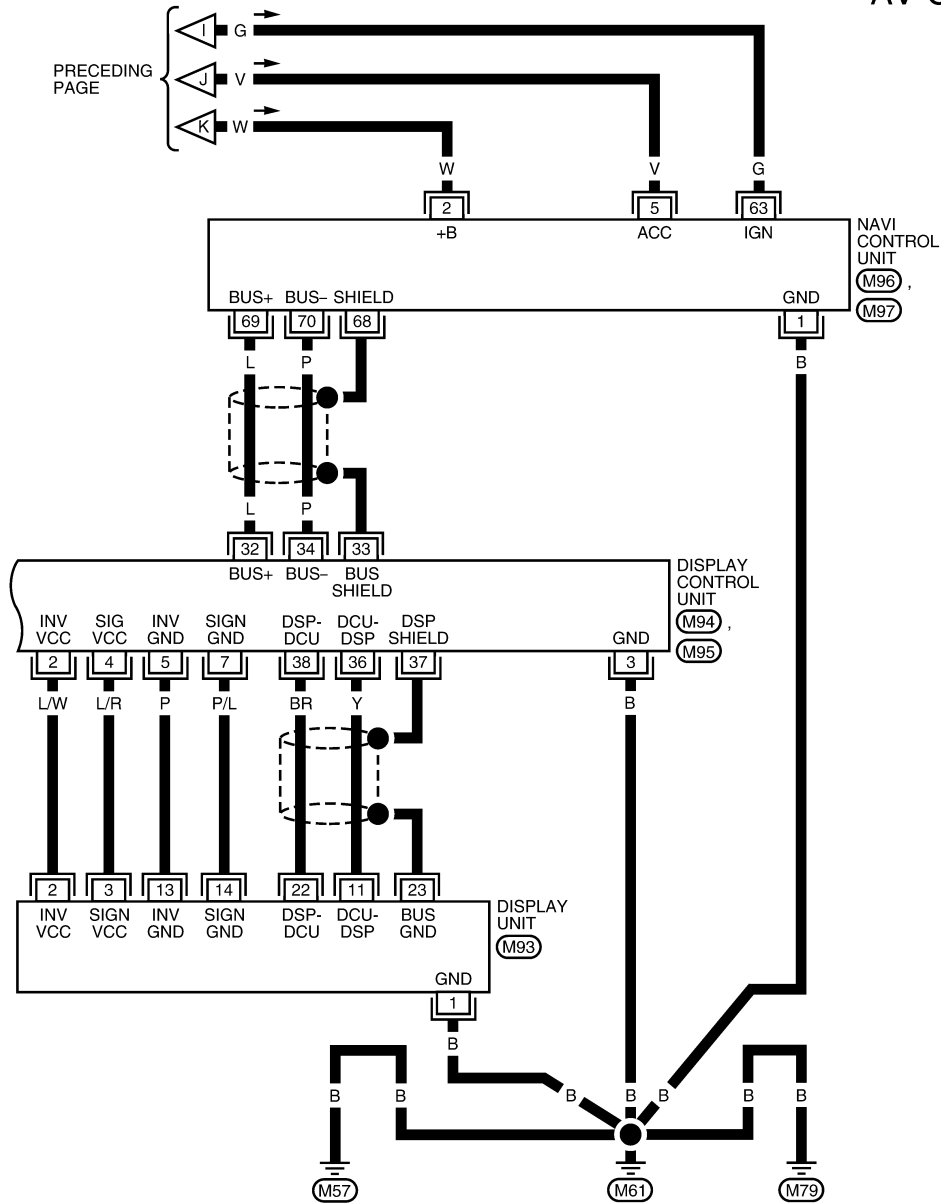
A  
B  
C  
D  
E  
F  
G  
H  
I  
J  
K  
L  
M  
N  
O  
P

AV

# NAVIGATION SYSTEM

< SERVICE INFORMATION >

AV-COMM-05



1	2	3	4	5	6	7	8	9	10	11	12	M93
13	14	15	16	17	18	19	20	21	22	23	24	W

24	22	20	18	16	14	12	10	8	6	4	2	M94	56	54	52	50	48	46	44	42	40	38	36	34	32	30	28	26	M95
23	21	19	17	15	13	11	9	7	5	3	1	W	55	53	51	49	47	45	43	41	39	37	35	33	31	29	27	25	W

40	38	36	34	32	30	28	26	24	22	20	18	16	14	12	10	8	6	4	2	M96	72	70	68	66	64	62	60	58	56	54	52	50	48	46	44	42	M97
39	37	35	33	31	29	27	25	23	21	19	17	15	13	11	9	7	5	3	1	W	71	69	67	65	63	61	59	57	55	53	51	49	47	45	43	41	W

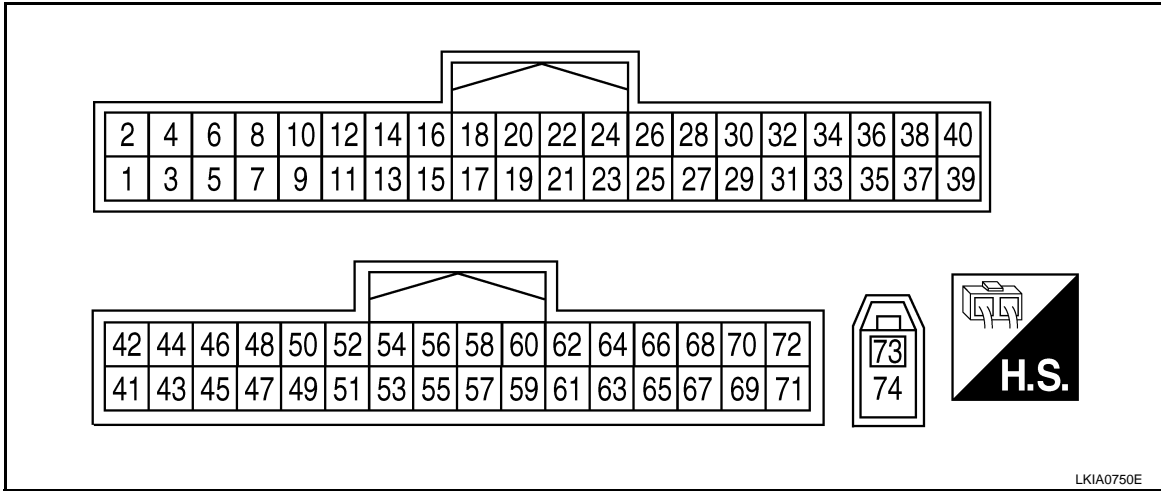
WKWA4933E

# NAVIGATION SYSTEM

< SERVICE INFORMATION >

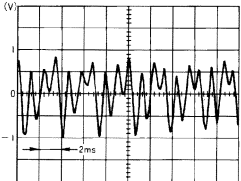


## NAVI Control Unit Harness Connector Terminal Layout

INFOID:000000001721894



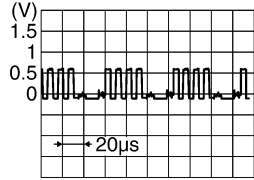
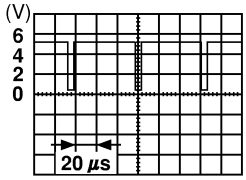
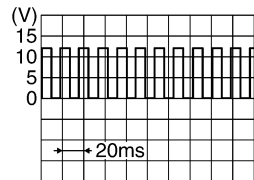
## Terminal and Reference Value for NAVI Control Unit

INFOID:000000001721895

Terminal No. (Wire color)		Item	Signal input/ output	Condition		Voltage (Approx.)	Example of symptom
+	-			Igni- tion switch	Operation		
1 (B)	Ground	Ground	-	ON	-	0V	-
2 (W)	Ground	Battery power	Input	OFF	-	Battery voltage	System does not work properly.
5 (V)	Ground	ACC signal	Input	ACC	-	Battery voltage	System does not work properly.
12 (B)	14 (W)	Voice guide signal	Output	ON	Press the "GUIDE/ VOICE" button.		Only route guide and operation guide are not heard.
13	-	Shield ground	-	-	-	-	Audio noise interference.
44 (R/L)	47	RGB signal (R: red)	Output	ON	Select "Display Di- agnosis (NAVI)" of CONFIRMATION/ ADJUSTMENT function.		NAVI screen looks bluish.
45 (R/W)	47	RGB signal (G: green)	Output	ON	Select "Display Di- agnosis (NAVI)" of CONFIRMATION/ ADJUSTMENT function.		NAVI screen looks reddish.

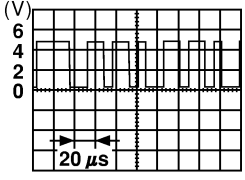
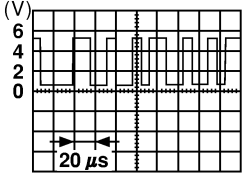
# NAVIGATION SYSTEM

## < SERVICE INFORMATION >

Terminal No. (Wire color)		Item	Signal input/ output	Condition		Voltage (Approx.)	Example of symptom
+	-			Igni- tion switch	Operation		
46 (B)	47	RGB signal (B: blue)	Output	ON	Select "Display Di- agnosis (NAVI)" of CONFIRMATION/ ADJUSTMENT function.	 SKIA4979E	NAVI screen looks yellowish.
47	-	Shield ground	-	-	-	-	Video display in- terference.
48 (W)	49	RGB syn- chronizing signal	Output	ON	Press the "MAP" button.	 SKIA0164E	NAVI screen is rolling.
49	-	Shield ground	-	-	-	-	Video display in- terference.
61 (R/L)	Ground	Illumination signal	Input	ON	Lighting switch in 1st position	Battery voltage	Display unit illu- mination does not change when lighting switch is turned to 1st position.-
					Lighting switch is OFF	3V or less	
63 (G)	Ground	Ignition signal	Input	ON	-	Battery voltage	Navigation cur- rent location mark does not indicate the cor- rect position.
65 (G/W)	Ground	Reverse signal	Input	ON	Selector lever in R position	Battery voltage	The navigation current-location mark moves strangely when the vehicle is moving back- wards.
					Selector lever not in R position	0V	
66 (BR)	Ground	Vehicle speed signal (8-pulse)	Input	ON	When vehicle speed is approx. 40 km/h (25 MPH)	 PKIA1935E	Navigation cur- rent location mark does not indicate the cor- rect position.
68	-	Shield ground	-	-	-	-	-

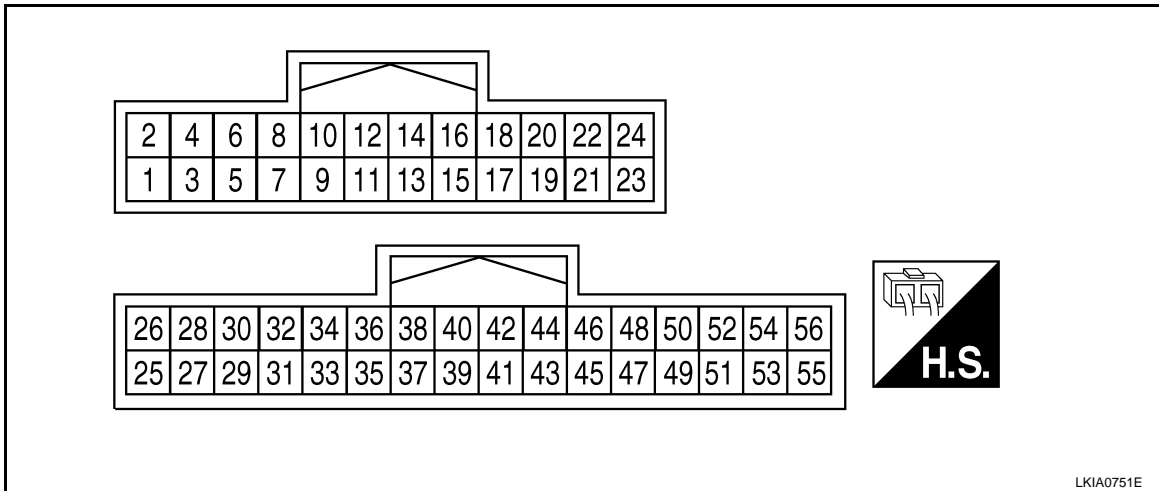
# NAVIGATION SYSTEM

## < SERVICE INFORMATION >

Terminal No. (Wire color)		Item	Signal input/ output	Condition		Voltage (Approx.)	Example of symptom
+	-			Igni- tion switch	Operation		
69 (L)	Ground	Communica- tion signal (+)	Input/ output	ON	-	 SKIA0175E	System does not work properly.
70 (P)	Ground	Communica- tion signal (-)	Input/ output	ON	-	 SKIA0176E	System does not work properly.
73	74	GPS signal	Input	ON	Connector is not connected.	5V	Navigation sys- tem GPS correc- tion is not possible.

## Display Control Unit Harness Connector Terminal Layout

INFOID:000000001721896



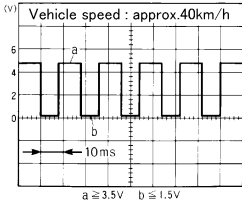
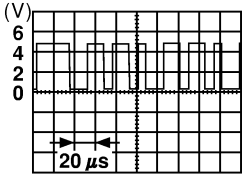
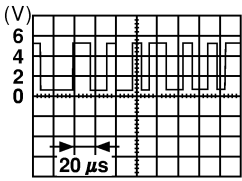
## Terminal and Reference Value for Display Control Unit

INFOID:000000001721897

Terminal No. (Wire color)		Item	Signal input/ output	Condition		Voltage	Example of symptom
+	-			Igni- tion switch	Operation		
1 (W)	Ground	Battery Pow- er	Input	OFF	-	Battery voltage	System does not work properly.
2 (L/W)	Ground	Power Supply (Inverter)	Output	ON	-	Approx. 9V	Screen is not shown.
3 (B)	Ground	Ground	-	ON	-	Approx. 0V	-

# NAVIGATION SYSTEM

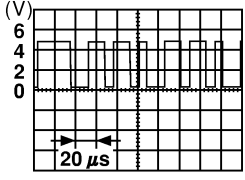
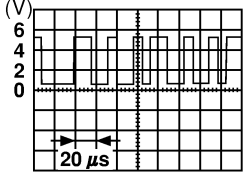
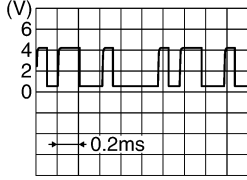
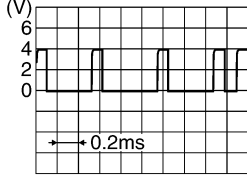
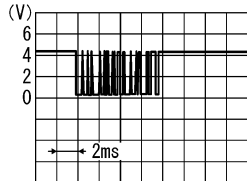
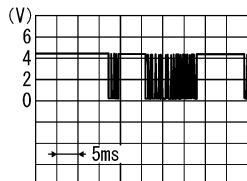
## < SERVICE INFORMATION >

Terminal No. (Wire color)		Item	Signal input/ output	Condition		Voltage	Example of symptom
+	-			Igni- tion switch	Operation		
4 (L/R)	Ground	Power Supply (Signal)	Output	ON	-	Approx. 9V	Screen is not shown.
5 (P)	Ground	(Inverter) Ground	-	ON	-	Approx. 0V	-
6 (G/W)	Ground	Reverse signal	Input	ON	Selector lever in R position	Battery voltage	Impossible to gain direction of vehicle.
					Selector lever not in R position	Approx. 0V	
7 (P/L)	Ground	(Signal) Ground	-	ON	-	Approx. 0V	-
10 (V)	Ground	ACC signal	Input	ACC	-	Battery voltage	System does not work properly.
12 (G)	Ground	Ignition signal	Input	ON	-	Battery voltage	A/C operation is not possible. Ve- hicle information setting is not possible.
14 (R/L)	Ground	Illumination signal	Input	OFF	Lighting switch posi- tion 1st or 2nd	Battery voltage	Audio unit illumi- nation does not come on when lighting switch is ON (position 1).
					Lighting switch posi- tion OFF	Approx. 0V	
16 (BR)	Ground	Vehicle speed signal (8-pulse)	Input	ON	When vehicle speed is approx. 40 km/h (25 MPH)		Value of vehicle speed informa- tion is not accu- rately displayed.
25 (L)	-	CAN-H	-	-	-	-	-
26 (P)	-	CAN-L	-	-	-	-	-
28 (V)	Ground	Communica- tion signal (+)	Input/ Output	ON	-		System does not work properly.
29	-	Shield ground	-	-	-	-	-
30 (LG)	Ground	Communica- tion signal (-)	Input/ output	ON	-		System does not work properly.



# NAVIGATION SYSTEM

## < SERVICE INFORMATION >

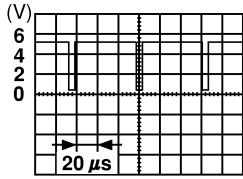
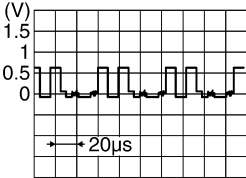
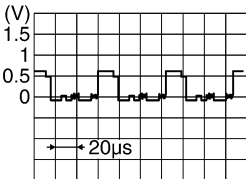
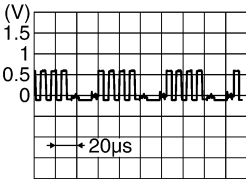
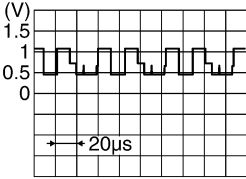
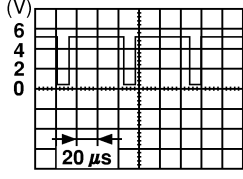
Terminal No. (Wire color)		Item	Signal input/ output	Condition		Voltage	Example of symptom
+	-			Igni- tion switch	Operation		
32 (L)	Ground	Communica- tion signal (+)	Input/ output	ON	-	 SKIA0175E	System does not work properly.
33	-	Shield ground	-	-	-	-	-
34 (P)	Ground	Communica- tion signal (-)	Input/ output	ON	-	 SKIA0176E	System does not work properly.
36 (Y)	37	Display Com- munication signal (DCU-DSP)	Output	ON	Press the "TRIP" button.	 SKIA4364E	Though a screen is displayed, it is impossible to ad- just brightness.
37	-	Shield ground	-	-	-	-	-
38 (BR)	37	Display Com- munication signal (DSP-DCU)	Input	ON	Press the "TRIP" button.	 SKIA4363E	Though a screen is displayed, it is impossible to ad- just brightness.
39	-	Shield ground	-	-	-	-	-
40 (R)	Ground	Audio TX Communica- tion signal	Output	ON	Operate audio volume.	 SKIA4402E	Audio does not operate properly.
41	-	Shield ground	-	-	-	-	-
42 (V)	Ground	Audio RX communica- tion signal	Input	ON	Operate audio volume.	 SKIA4403E	Audio does not operate properly.

A  
B  
C  
D  
E  
F  
G  
H  
I  
J  
L  
M  
N  
O  
P

AV

# NAVIGATION SYSTEM

## < SERVICE INFORMATION >

Terminal No. (Wire color)		Item	Signal input/ output	Condition		Voltage	Example of symptom
+	-			Igni- tion switch	Operation		
43 (W)	41	RGB syn- chronizing signal	Input	ON	Press the "MAP" button.	 <p style="text-align: right; font-size: small;">SKIA0164E</p>	RGB screen is rolling.
44 (R/L)	45	RGB signal (R: red)	Input	ON	Select "Display Di- agnosis (NAVI)" of CONFIRMATION/ ADJUSTMENT function.	 <p style="text-align: right; font-size: small;">SKIA4977E</p>	RGB screen looks bluish.
45	-	Shield ground	-	-	-	-	-
46 (R/W)	45	RGB signal (G: green)	Input	ON	Select "Display Di- agnosis (NAVI)" of CONFIRMATION/ ADJUSTMENT function.	 <p style="text-align: right; font-size: small;">SKIA4978E</p>	RGB screen looks reddish.
47	-	Shield ground	-	-	-	-	-
48 (B)	45	RGB signal (B: blue)	Input	ON	Select "Display Di- agnosis (NAVI)" of CONFIRMATION/ ADJUSTMENT function.	 <p style="text-align: right; font-size: small;">SKIA4979E</p>	RGB screen looks yellowish.
49	-	Shield ground	-	-	-	-	-
50 (R)	47	RGB signal (R: red)	Output	ON	Select "Display Di- agnosis (DCU)" of CONFIRMATION/ ADJUSTMENT function.	 <p style="text-align: right; font-size: small;">SKIA4980E</p>	RGB screen looks bluish.
51 (B)	49	RGB area (YS) signal	Output	ON	Press the "TRIP" button.	 <p style="text-align: right; font-size: small;">SKIA0162E</p>	RGB screen is not shown.

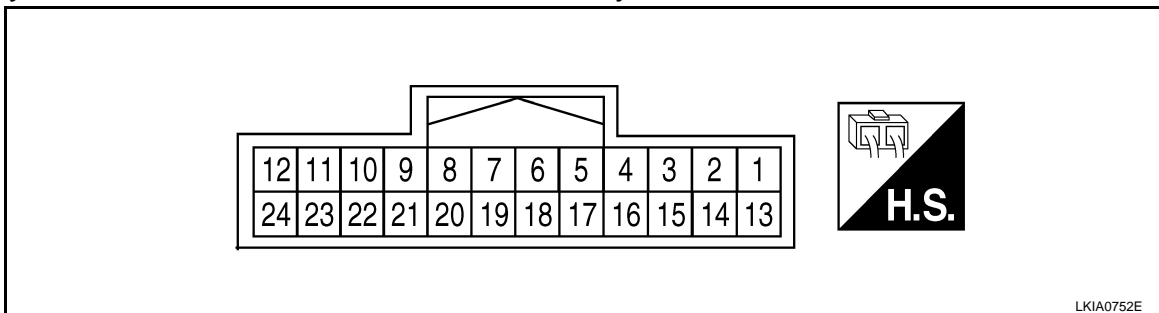
# NAVIGATION SYSTEM

## < SERVICE INFORMATION >

Terminal No. (Wire color)		Item	Signal input/ output	Condition		Voltage	Example of symptom
+	-			Igni- tion switch	Operation		
52 (W)	47	RGB signal (G: green)	Output	ON	Select "Display Di- agnosis (DCU)" of CONFIRMATION/ ADJUSTMENT function.	<p style="text-align: right; font-size: small;">SKIA4981E</p>	RGB screen looks reddish.
53 (W)	49	Vertical syn- chronizing (VP) signal	Output	ON	-	<p style="text-align: right; font-size: small;">SKIA4983E</p>	RGB screen is not shown.
54 (B)	47	RGB signal (B: blue)	Output	ON	Select "Display Di- agnosis (DCU)" of CONFIRMATION/ ADJUSTMENT function.	<p style="text-align: right; font-size: small;">SKIA4982E</p>	RGB screen looks yellowish.
55 (R)	49	Horizontal synchroniz- ing (HP) sig- nal	Input	ON	-	<p style="text-align: right; font-size: small;">SKIA4983E</p>	RGB screen is not shown.
56 (G)	49	RGB syn- chronizing signal	Output	ON	Press the "TRIP" button.	<p style="text-align: right; font-size: small;">SKIA0164E</p>	RGB screen is rolling.

### Display Unit Harness Connector Terminal Layout

INFOID:000000001721898



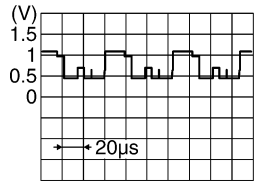
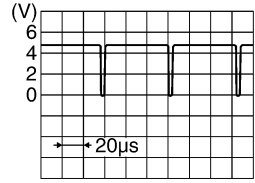
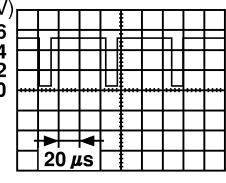
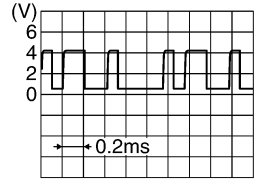
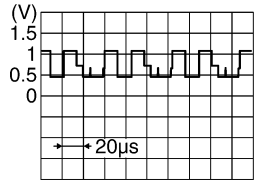
A  
B  
C  
D  
E  
F  
G  
H  
I  
J  
AV  
L  
M  
N  
O  
P

# NAVIGATION SYSTEM

< SERVICE INFORMATION >

## Terminal and Reference Value for Display Unit

INFOID:000000001721899

Terminal No. (Wire color)		Item	Signal input/output	Condition		Voltage	Example of symptom
+	-			Ignition switch	Operation		
1 (B)	Ground	Ground	-	ON	-	Approx. 0V	-
2 (L/W)	Ground	Power supply (Inverter)	Input	ON	-	Approx. 9V	Screen is not shown.
3 (L/R)	Ground	Power supply (Signal)	Input	ON	-	Approx. 9V	Screen is not shown.
6 (W)	7	RGB signal (G: green)	Input	ON	Select "Display Diagnosis (DCU)" of CONFIRMATION/ADJUSTMENT function.	 <p style="text-align: right; font-size: small;">SKIA4981E</p>	RGB screen looks reddish.
7	-	Shield ground	-	-	-	-	-
8 (R)	21	Horizontal synchronizing (HP) signal	Output	ON	-	 <p style="text-align: right; font-size: small;">SKIA4983E</p>	RGB screen is not shown.
9 (B)	21	RGB area (YS) signal	Input	ON	Press the "TRIP" button.	 <p style="text-align: right; font-size: small;">SKIA0162E</p>	RGB screen is not shown.
11 (Y)	23	Display communication signal (DCU-DSP)	Input	ON	-	 <p style="text-align: right; font-size: small;">SKIA4364E</p>	Though a screen is displayed, it is impossible to adjust brightness.
13 (P)	Ground	(Inverter) Ground	-	ON	-	Approx. 0V	-
14 (P/L)	Ground	(Signal) Ground	-	ON	-	Approx. 0V	-
17 (R)	7	RGB signal (R: red)	Input	ON	Select "Display Diagnosis (DCU)" of CONFIRMATION/ADJUSTMENT function.	 <p style="text-align: right; font-size: small;">SKIA4980E</p>	RGB screen looks bluish.

# NAVIGATION SYSTEM

## < SERVICE INFORMATION >

Terminal No. (Wire color)		Item	Signal input/output	Condition		Voltage	Example of symptom
+	-			Ignition switch	Operation		
18 (B)	7	RGB signal (B: blue)	Input	ON	Select "Display Diagnosis (DCU)" of CONFIRMATION/ADJUSTMENT function.	<p style="text-align: right; font-size: small;">SKIA4982E</p>	RGB screen looks yellowish.
19 (G)	21	RGB synchronizing signal	Input	ON	Press the "TRIP" button.	<p style="text-align: right; font-size: small;">SKIA0164E</p>	RGB screen is rolling.
20 (W)	21	Vertical synchronizing (VP) signal	Input	ON	-	<p style="text-align: right; font-size: small;">SKIA4983E</p>	RGB screen is not shown.
21	-	Shield ground	-	-	-	-	-
22 (BR)	23	Display communication signal (DSP-DCU)	Output	ON	-	<p style="text-align: right; font-size: small;">SKIA4363E</p>	Though a screen is displayed, it is impossible to adjust brightness.
23	-	Shield ground	-	-	-	-	-

### Terminal and Reference Value for AV Switch

INFOID:000000001721900

Refer to [AV-44, "Terminal and Reference Value for AV Switch"](#).

### Terminal and Reference Value for BCM

INFOID:000000001721901

Refer to [BCS-11, "Terminal and Reference Value for BCM"](#).

### On Board Self-Diagnosis Function

INFOID:000000001721902

#### DESCRIPTION

- Diagnosis function consists of the self-diagnosis mode performed automatically and the CONFIRMATION/ADJUSTMENT mode operated manually.
- Self-diagnosis mode checks for connections between the units constituting this system, analyzes each individual unit at the same time, and displays the results on the LCD screen.
- CONFIRMATION/ADJUSTMENT mode is used to perform trouble diagnosis that require operation and judgment by an operator (trouble that cannot be automatically judged by the system), to check/change the set value, and to display the History of Errors of the navigation system.

#### DIAGNOSIS ITEM

# NAVIGATION SYSTEM

## < SERVICE INFORMATION >

Mode		Description		
Self-diagnosis (DCU)		Display control unit diagnosis.		
Self-diagnosis (NAVI)		<ul style="list-style-type: none"> <li>• NAVI Control unit diagnosis (DVD-ROM drive will not be diagnosed when no map DVD-ROM is in it.</li> <li>• Analyzes connection between the NAVI control unit and the GPS antenna connection between the NAVI control unit and each unit, and operation of each unit.</li> </ul>		
CONFIRMATION/ ADJUSTMENT	Display diagnosis	On display control unit mode, color tone and shading of the screen can be checked by the display of a color bar and a gray scale.		
	Vehicle signals	On display control unit mode, analyzes the following vehicle signals: Vehicle speed signal, light signal <sup>NOTE</sup> , ignition switch signal, and reverse signal.		
	Auto Climate Control	A/C self-diagnosis of A/C system.		
	Navigation	Display diagnosis	On NAVI C/U mode, color tone and shading of the screen can be checked by the display of a color bar and a gray scale.	
		Vehicle signals	On NAVI C/U mode, analyzes the following vehicle signals: Vehicle speed signal, light signal, ignition switch signal, and reverse signal.	
		History of Errors	Diagnosis results previously stored in the memory (before turning ignition switch ON) are displayed in this mode. Time and location when/where the errors occurred are also displayed.	
		Navigation	Display Longitude & Latitude	Display the map. Use the joystick to adjust position. Longitude and latitude will be displayed.
			Speed Calibration	Under ordinary conditions, the navigation system distance measuring function will automatically compensate for minute decreases in wheel and tire diameter caused by tire wear or low -pressure. Speed calibration immediately restores system accuracy in cases such as when distance calibration is needed because of the use of tire chains in inclement weather.
	Angle adjustment		Corrects difference between actual turning angle of a vehicle and turning angle of the car mark on the display.	
	Initialize Location	This mode is for initializing the current location. Use when the vehicle is transported a long distance on a trailer, etc.		
CAN DIAG SUPPORT MONITOR		Display status of CAN communication.		

### NOTE:

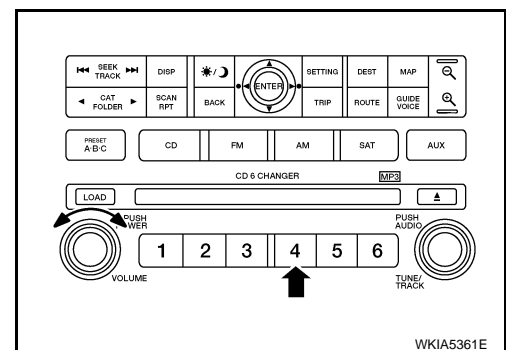
Make the status that is set by D/N function be shown.

## Self-Diagnosis Mode (DCU)

INFOID:000000001721903

### OPERATION PROCEDURE

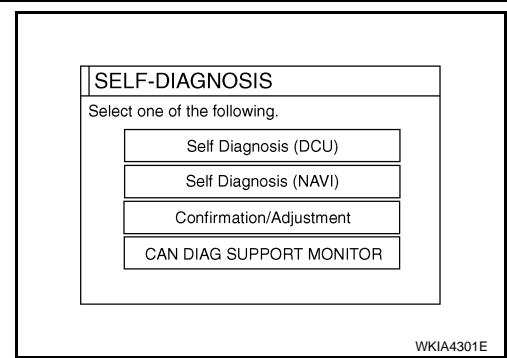
1. Start the engine.
2. Turn the audio system off.
3. While pressing the "4" button, turn the volume control dial clockwise or counterclockwise for 30 clicks or more. (When the self-diagnosis mode is started, a short beep will be heard.)
  - Shifting from current screen to previous screen is performed by pressing "PREV" button.



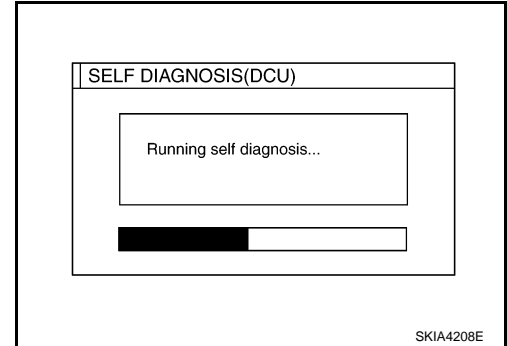
# NAVIGATION SYSTEM

## < SERVICE INFORMATION >

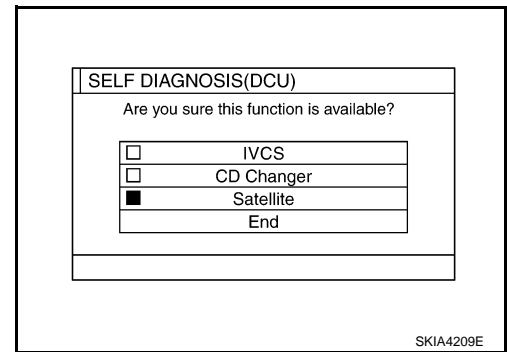
4. The initial trouble diagnosis screen will be shown, and items “Self-Diagnosis (DCU)”, “Self-Diagnosis (NAVI)”, “Confirmation/Adjustment” and “CAN DIAG SUPPORT MONITOR” will become selective.



5. Perform self-diagnosis by selecting the “Self-diagnosis”.
- Self-diagnosis subdivision screen will be shown and the operation enters the self-diagnosis mode.
  - A bar graph shown below the self-diagnosis subdivision screen indicates progress of the diagnosis.



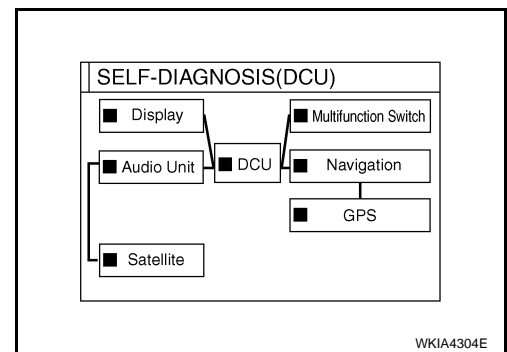
6. When the self-diagnosis completes, optional part confirmation screen will be shown.
- When connection of an optional part is judged error, a screen to check if the optional part is actually fitted on the vehicle or not will be shown. When fitted, select the switch of the part on the screen and press “End”. Then the “SELF DIAGNOSIS” screen will be shown.
  - When the optional part is connected normally, the switch for the part will not appear on the screen.



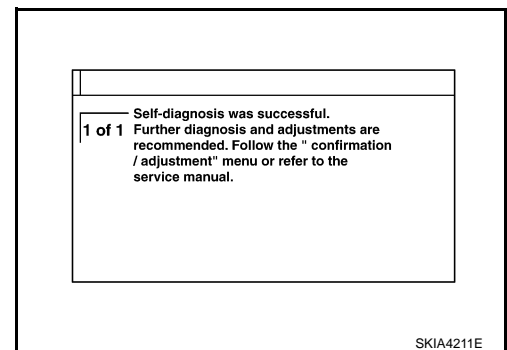
7. On the “SELF DIAGNOSIS” screen, each unit name will be colored according to the diagnosis result, as follows.

- Green** : Not malfunctioning.
- Yellow** : Cannot be judged by self-diagnosis results.
- Red** : Unit is malfunctioning.
- Gray** : Diagnosis has not been done.

- If several malfunctions are present in a unit, color of its switch on the screen will be either red, yellow, or gray, determined by the malfunction of the highest priority.



8. Select a switch on the “SELF DIAGNOSIS” screen and comments for the diagnosis results will be shown.
- When the switch is green, the following comment will be shown. “Self-diagnosis was successful. Further diagnosis and adjustments are recommended. Follow the “confirmation/adjustment” menu or refer to the service manual.”
  - When the switch is yellow, the following comment will be shown. “Connection to the following unit is abnormal. See the service manual for further details”.
  - When the switch is red, the following comment will be shown. “DCU is abnormal”.



A  
B  
C  
D  
E  
F  
G  
H  
I  
J  
AV  
L  
M  
N  
O  
P

# NAVIGATION SYSTEM

## < SERVICE INFORMATION >

### SELF-DIAGNOSIS RESULT

Quick reference table

1. Select a malfunctioning diagnosis No. in the diagnosis result quick reference table.
2. Find estimated malfunctioning system in the diagnosis No. table and perform check by referring to [AV-122, "Wiring Diagram - COMM -"](#).
3. Turn the ignition switch OFF and perform self-diagnosis again.

Screen switch						Diagnosis No.
Switch color	DCU*	DISPLAY	Audio unit	Navigation	GPS antenna	
Red	×					1
Gray	×	X				2
	X		X			3
	×			X	X	4

\*: DCU = Display control unit

#### CAUTION:

- When AV switch has a malfunction, you cannot start. Refer to [AV-171, "Unable to Operate All of AV switches \(Unable to start Self-Diagnosis\)"](#).
- When display unit has a malfunction, you cannot start. Refer to [AV-168, "Screen Is Not Shown"](#).

Self-Diagnosis Codes

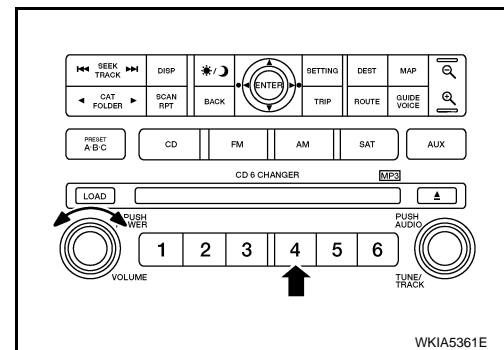
Diagnosis No.	Possible cause	Reference page
1	Display control unit malfunction.	Refer to <a href="#">AV-182</a> .
2	Display communication line between display control unit and display unit.	Refer to <a href="#">AV-156</a> .
3	Audio unit power supply and ground circuit. Audio communication line between display control unit and audio unit.	Refer to <a href="#">AV-154</a> .
4	NAVI control unit power supply and ground circuit. AV communication line between display control unit and NAVI control unit.	Refer to <a href="#">AV-153</a> .

## Self-Diagnosis Mode (NAVI)

INFOID:000000001721904

### OPERATION PROCEDURE

1. Start the engine.
2. Turn the audio system off.
3. While pressing the "4" button, turn the volume control dial clockwise or counterclockwise for 30 clicks or more. (When the self-diagnosis mode is started, a short beep will be heard.)
  - Shifting from current screen to previous screen is performed by pressing "PREV" button.

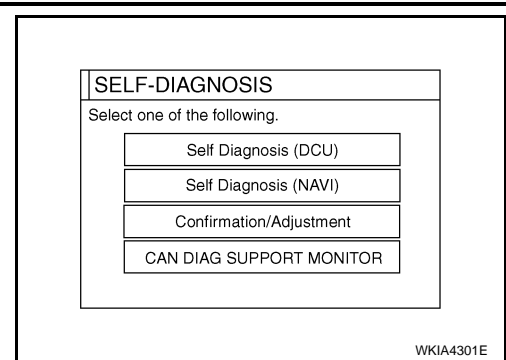




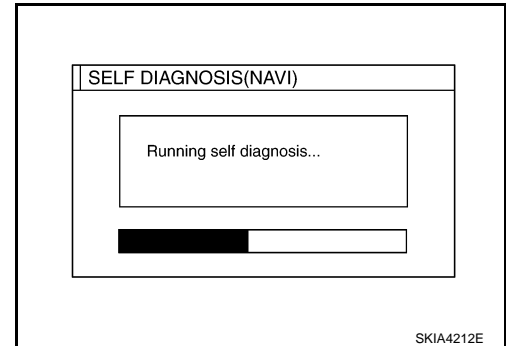
# NAVIGATION SYSTEM

## < SERVICE INFORMATION >

4. The initial trouble diagnosis screen will be shown, and items “Self-Diagnosis (DCU)”, “Self-Diagnosis (NAVI)”, “Confirmation/Adjustment” and “CAN DIAG SUPPORT MONITOR” will become selective.



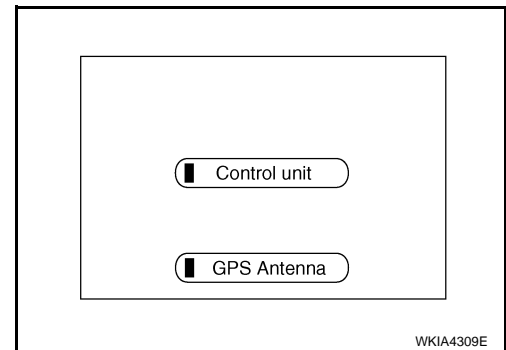
5. Perform self-diagnosis by selecting the “Self-diagnosis (NAVI)”.  
 • Self-diagnosis subdivision screen will be shown and the operation enters the self-diagnosis mode.  
 • A bar graph shown below the self-diagnosis subdivision screen indicates progress of the diagnosis.



6. On the “SELF DIAGNOSIS” screen, each unit name will be colored according to the diagnosis result, as follows.

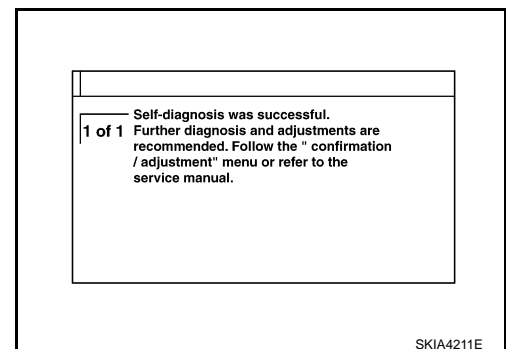
- Green** : Not malfunctioning.
- Yellow** : Cannot be judged by self-diagnosis results.
- Red** : Unit is malfunctioning.
- Gray** : Diagnosis has not been done.

- If several malfunctions are present in a unit, color of its switch on the screen will be either red, yellow, or gray, determined by the malfunction of the highest priority.



7. Select a switch on the “SELF DIAGNOSIS” screen and comments for the diagnosis results will be shown.

- When the switch is green, the following comment will be shown. “Self-diagnosis was successful. Further diagnosis and adjustments are recommended. Follow the “Confirmation and Adjustments” menu or refer to the service manual.”
- When the switch is yellow, the following comment will be shown. “Connection to the following unit is abnormal. See the service manual for further details”.
- When the switch is red, the following comment will be shown. “Center Control Unit is abnormal”.
- When the switch is gray, the following comment will be shown. “Self-diagnosis for DVD-ROM DRIVER of NAVI was not conducted because no DVD-ROM was available.”



## SELF-DIAGNOSIS RESULT

### Quick reference table

1. Select a malfunctioning diagnosis No. in the diagnosis result quick reference table.
2. Find estimated malfunctioning system in the diagnosis No. table and perform check by referring to [AV-122, "Wiring Diagram - COMM -"](#).
3. Turn the ignition switch OFF and perform self-diagnosis again.

# NAVIGATION SYSTEM

## < SERVICE INFORMATION >

Screen switch			Diagnosis No.
Switch color	Center control unit*	GPS antenna	
Red	×		1
Gray	×		2
Yellow	×		3
	×		4
	×	×	5

\*: Center Control unit = NAVI control unit

### CAUTION:

- When AV switch has a malfunction, you cannot start. Refer to [AV-171, "Unable to Operate All of AV switches \(Unable to start Self-Diagnosis\)"](#).
- When display unit has a malfunction, you cannot start. Refer to [AV-168, "Screen Is Not Shown"](#).

### Self-diagnosis codes

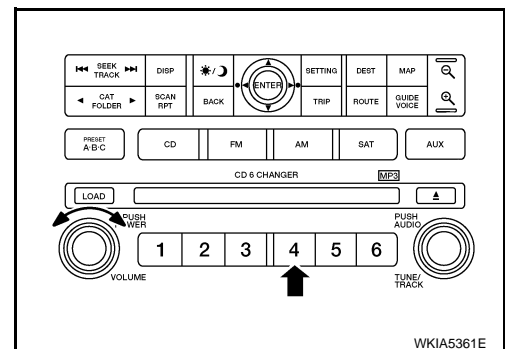
Diagnosis No.	Possible cause	Reference page
1	NAVI control unit malfunction.	Refer to <a href="#">AV-182</a>
2	No map DVD-ROM is inserted in the NAVI control unit.	Refer to <a href="#">AV-159</a>
3	When "DVD-ROM error. Please check disc." is shown. 1. Eject map DVD-ROM and check if it is compatible with the system. 2. Check ejected DVD-ROM for dirt, damage, and warpage. 3. If no error is found, insert a known good map DVD-ROM of the same type and perform self-diagnosis again. If same result is shown, the NAVI control unit is malfunctioning. If result is normal, the map DVD-ROM is malfunctioning.	Refer to <a href="#">AV-159</a>
4	If "Error found in DVD-ROM or DVD-ROM driver in control unit. Please perform diagnosis in accordance with service manual" is shown, carry out same inspection as diagnosis No. 3.	Refer to <a href="#">AV-159</a>
5	GPS antenna system. 1. Visually check for a broken wire in the GPS antenna coaxial cable. 2. Disconnect GPS antenna connector, and make sure approximately 5V is supplied from the NAVI control unit. If not, the NAVI control unit is malfunctioning. If 5V is supplied, replace the GPS antenna. If the connection is still malfunction after the replacement of the GPS antenna, the NAVI control unit is malfunctioning.	Refer to <a href="#">AV-159</a>

## Confirmation/Adjustment Mode

INFOID:000000001721905

### OPERATION PROCEDURE

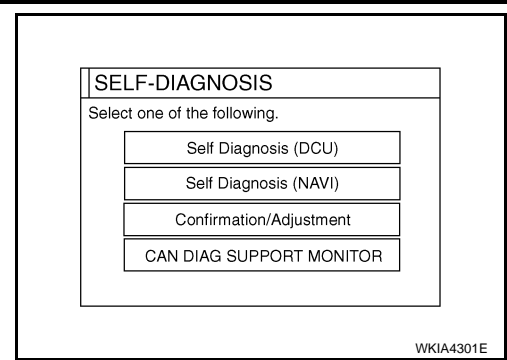
1. Start the engine.
2. Turn the audio system off.
3. While pressing the "4" button, turn the volume control dial clockwise or counterclockwise for 30 clicks or more. (When the self-diagnosis mode is started, a short beep will be heard.)
  - Shifting from current screen to previous screen is performed by pressing "PREV" button.



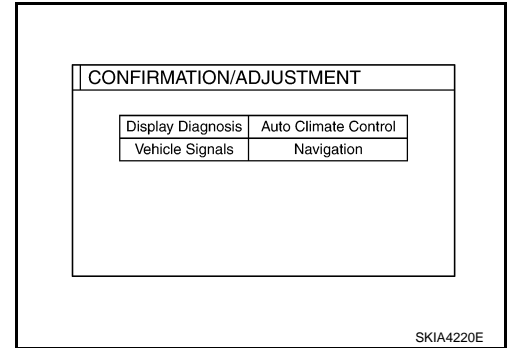
# NAVIGATION SYSTEM

## < SERVICE INFORMATION >

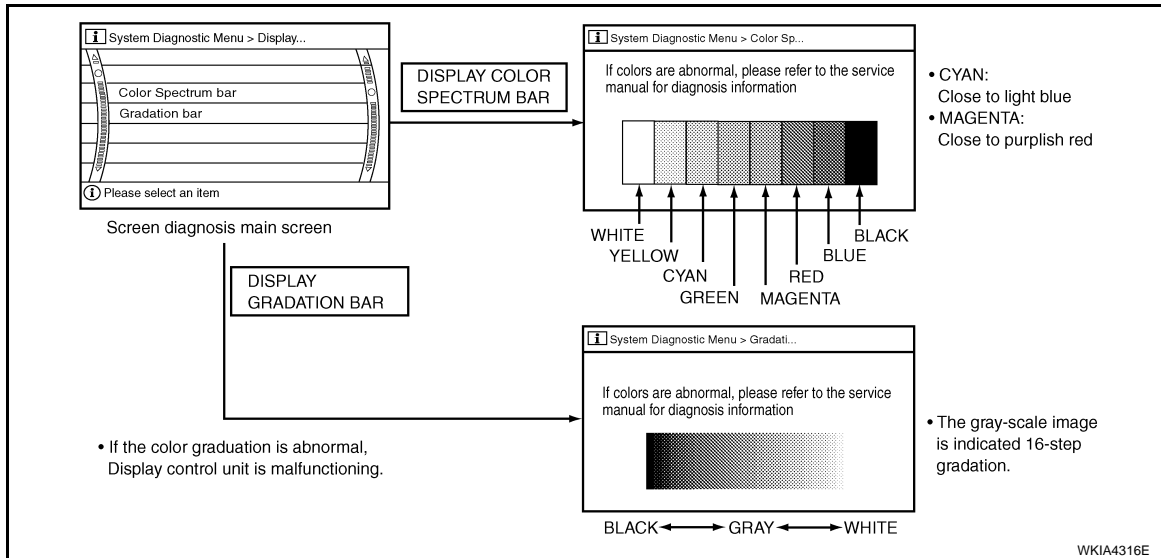
- The initial trouble diagnosis screen will be shown, and items "Self-Diagnosis (DCU)", "Self-Diagnosis (NAVI)", "Confirmation/Adjustment" and "CAN DIAG SUPPORT MONITOR" will become selective.



- When "Confirmation/Adjustment" is selected on the initial trouble diagnosis screen, the operation will enter the CONFIRMATION/ADJUSTMENT mode. In this mode, check and adjustment of each item will become possible.
- The initial trouble diagnosis screen will be shown, and items "Display Diagnosis", "Vehicle Signals", "Auto Climate Control" and "Navigation" will become selective.
- Select each switch on "CONFIRMATION/ADJUSTMENT" screen to display the relevant diagnosis screen.



## DISPLAY DIAGNOSIS



- When RGB signal error occurred in the RGB system, tone of the color bar will change as follows.

- R (red) signal error** : Screen looks bluish
- G (green) signal error** : Screen looks reddish
- B (blue) signal error** : Screen looks yellowish

- When the color of the screen looks unusual, refer to [AV-163. "Color of RGB Image Is Not Proper \(Except NAVI Screen Looks Bluish\)"](#), [AV-164. "Color of RGB Image Is Not Proper \(Except NAVI Screen Looks Reddish\)"](#) and [AV-165. "Color of RGB Image Is Not Proper \(Except NAVI Screen Looks Yellowish\)"](#).

## VEHICLE SIGNALS

# NAVIGATION SYSTEM

## < SERVICE INFORMATION >

- A comparison check can be made of each actual vehicle signal and the signals recognized by the system.

**CAUTION:**

**In case of confirming light signal, set D/N mode to ON/OFF of lighting switch (normal setting).**

- OFF: D (Day mode)**
- ON: N (Night mode)**

**Unless above setting, light signal (ON/OFF) may not be accurately displayed.**

VEHICLE SIGNALS	
Vehicle Speed	OFF
IGN	ON
Reverse	OFF
IVCS	OFF
Light	OFF

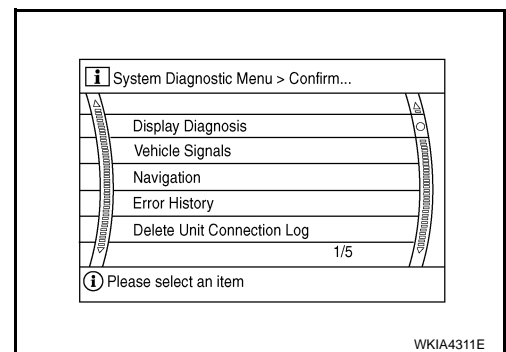
WKIA4306E

Diagnosis item	Display	Condition	Remarks
Vehicle speed	ON	Vehicle speed > 0 km/h (0 MPH)	Changes in indication may be delayed by approx. 1.5 seconds. This is normal.
	OFF	Vehicle speed = 0 km/h (0 MPH)	
	-	Ignition switch in ACC position	
Light	ON	Lighting switch ON	-
	OFF	Lighting switch OFF	
IGN	ON	Ignition switch ON	-
	OFF	Ignition switch ACC	
Reverse	ON	Selector lever in R position	Changes in indication may be delayed by approx. 1.5 seconds. This is normal.
	OFF	Selector lever in other than R position	
	-	Ignition switch in ACC position	

- If vehicle speed is NG, refer to [AV-150. "Vehicle Speed Signal Inspection for Display Control Unit"](#).
- If light is NG, refer to [AV-151. "Illumination Signal Inspection for Display Control Unit"](#).
- If IGN is NG, refer to [AV-152. "Ignition Signal Inspection for Display Control Unit"](#).
- If reverse is NG, refer to [AV-153. "Reverse Signal Inspection for Display Control Unit"](#).

## NAVIGATION

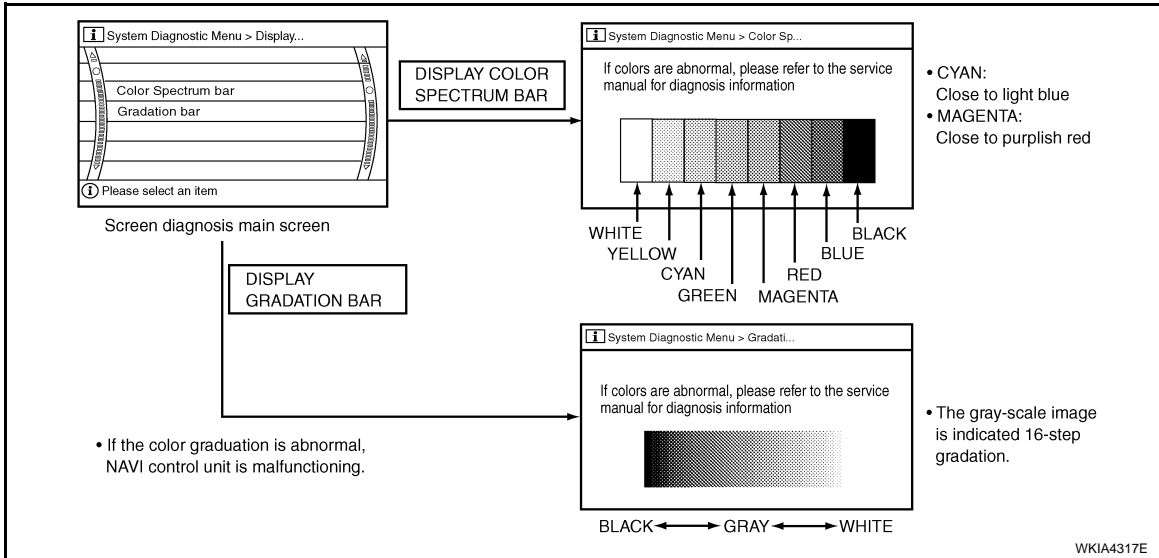
- The initial trouble diagnosis screen will be shown, and items "Display Diagnosis", "Vehicle Signals", "Navigation", and "Error History" will be displayed.
- Select each switch on "CONFIRMATION/ADJUSTMENT" screen to display the relevant diagnosis screen.



# NAVIGATION SYSTEM

## < SERVICE INFORMATION >

### DISPLAY DIAGNOSIS



- When RGB signal error occurred in the RGB system, tone of the color bar will change as follows.

**R (red) signal error** : Screen looks bluish  
**G (green) signal error** : Screen looks reddish  
**B (blue) signal error** : Screen looks yellowish

- When the color of the screen looks unusual, refer to [AV-160, "Color of RGB Image Is Not Proper \(NAVI Screen Looks Bluish\)"](#), [AV-161, "Color of RGB Image Is Not Proper \(Only NAVI Screen Looks Reddish\)"](#) and [AV-162, "Color of RGB Image Is Not Proper \(Only NAVI Screen Looks Yellowish\)"](#).

### VEHICLE SIGNALS

- A comparison check can be made of each actual vehicle signal and the signals recognized by the system.

**CAUTION:**

**In case of confirming light signal, set D/N mode to ON/OFF of light switch (normal setting).**

- OFF: D (Day mode)
- ON: N (Night mode)

**Unless above setting, light signal (ON/OFF) may not be accurately displayed.**

VEHICLE SIGNALS	
Vehicle Speed	OFF
IGN	ON
Reverse	OFF
IVCS	OFF
Light	OFF

WKIA4306E

Diagnosis item	Display	Condition	Remarks
Vehicle speed	ON	Vehicle speed > 0 km/h (0 MPH)	Changes in indication may be delayed by approx. 1.5 seconds. This is normal.
	OFF	Vehicle speed = 0 km/h (0 MPH)	
	-	Ignition switch in ACC position	
Light	ON	Lighting switch ON	-
	OFF	Lighting switch OFF	
IGN	ON	Ignition switch ON	-
	OFF	Ignition switch ACC	
Reverse	ON	Selector lever in R position	Changes in indication may be delayed by approx. 1.5 seconds. This is normal.
	OFF	Selector lever in other than R position	
	-	Ignition switch in ACC position	

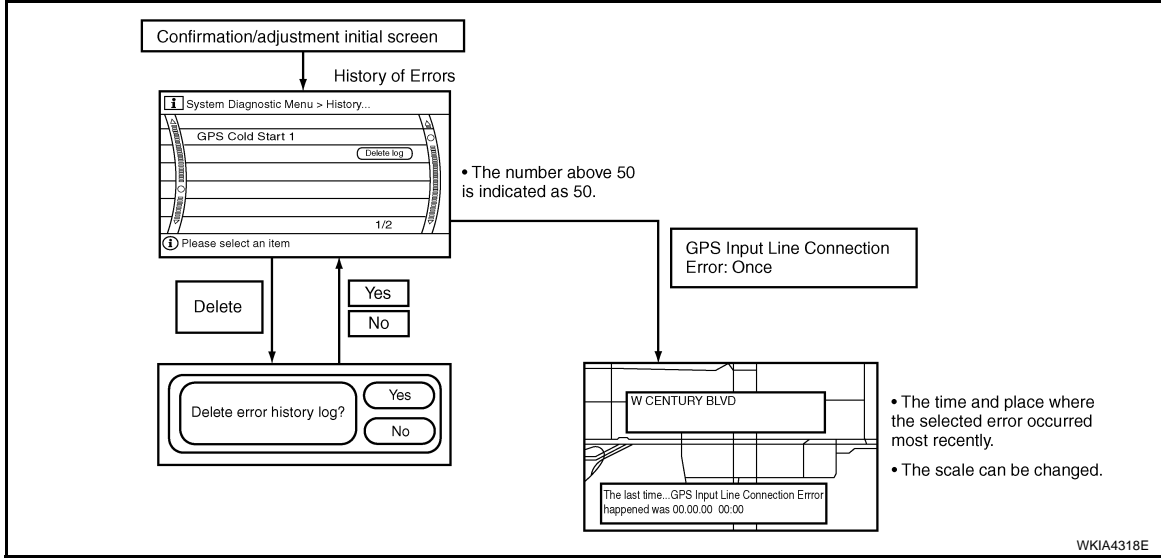
- If vehicle speed is NG, refer to [AV-149, "Vehicle Speed Signal Inspection for NAVI Control Unit"](#).
- If light is NG, refer to [AV-151, "Illumination Signal Inspection for NAVI Control Unit"](#).

# NAVIGATION SYSTEM

## < SERVICE INFORMATION >

- If IGN is NG, refer to [AV-152, "Ignition Signal Inspection for NAVI Control Unit"](#).
- If reverse is NG, refer to [AV-152, "Reverse Signal Inspection for NAVI Control Unit"](#).

## ERROR HISTORY



## DIAGNOSIS BY ERROR HISTORY

The “Self-diagnosis” results indicate whether an error occurred during the period from when the ignition switch is turned to ON until “Self-diagnosis” is completed.

If an error occurred before the ignition switch was turned to ON and does not occur again until the “Self-diagnosis” is completed, the diagnosis result will be judged normal. Therefore, those errors in the past, which cannot be found by the “Self-diagnosis”, must be found by diagnosing the "Error History".

The error history displays the time and place of the most recent occurrence of that error. However, take note of the following points.

- Correct time of the error occurrence may not be displayed when the GPS antenna substrate within the NAVI control unit has malfunctioned.
- Place of the error occurrence is represented by the position of the current-location mark at the time when the error occurred. If the current-location mark has deviated from the correct position, then the place of the error occurrence may be located correctly.
- The maximum number of occurrences which can be stored is 50. For the 51st and later occurrences, the displayed number remains 50.

When a reproducible malfunction occurred but its cause cannot be identified because several errors are present, record the item, number and place (longitude/latitude) of error occurrence (or delete the error history), then turn the ignition switch from OFF to ON to reproduce the malfunction. Check the error history to find the items which show an increased number of occurrences, and diagnose the item.

Error item	Possible causes	Example of symptom
	Action/symptom	
Gyro sensor disconnected	Communications malfunction between NAVI control unit and internal gyro.	<ul style="list-style-type: none"> <li>• Navigation location detection performance has deteriorated. (Angular velocity cannot be detected.)</li> </ul>
	<ul style="list-style-type: none"> <li>• Perform self-diagnosis.</li> <li>• When the NAVI control unit is judged normal by self-diagnosis, the symptom may be intermittent, caused by strong radio interference.</li> </ul>	
GPS disconnected	Communication error between NAVI control unit and internal GPS substrate.	<ul style="list-style-type: none"> <li>• Navigation location detection performance has deteriorated. (Location correction using GPS is not performed.)</li> <li>• GPS receiving status remains gray.</li> </ul>
	<ul style="list-style-type: none"> <li>• Perform self-diagnosis.</li> <li>• When the NAVI control unit is judged normal by self-diagnosis, the symptom may be intermittent, caused by strong radio interference.</li> </ul>	

# NAVIGATION SYSTEM

## < SERVICE INFORMATION >

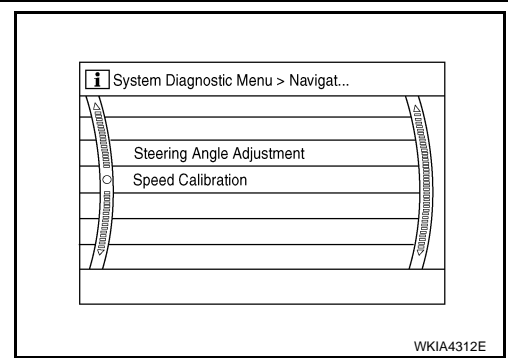
Error item	Possible causes	Example of symptom	
	Action/symptom		
GPS transmission cable malfunction	Malfunctioning transmission wires to NAVI control unit and internal GPS substrate.	<ul style="list-style-type: none"> <li>• During self-diagnosis, GPS diagnosis is not performed.</li> </ul>	A
	<ul style="list-style-type: none"> <li>• Perform self-diagnosis.</li> <li>• When the NAVI control unit is judged normal by self-diagnosis, the symptom may be intermittent, caused by strong radio interference.</li> </ul>		B
GPS input line connection error	Malfunctioning receiving wires to NAVI control unit and internal GPS substrate.	<ul style="list-style-type: none"> <li>• Navigation location detection performance has deteriorated. (Location correction using GPS is not performed.)</li> <li>• GPS receiving status remains gray.</li> </ul>	C
	<ul style="list-style-type: none"> <li>• Perform self-diagnosis.</li> <li>• When the NAVI control unit is judged normal by self-diagnosis, the symptom may be intermittent, caused by strong radio interference.</li> </ul>		D
GPS TCX0 over GPS TCX0 under	Oscillating frequency of the GPS substrate frequency synchronizing oscillation circuit exceeded (or below) the specification	<ul style="list-style-type: none"> <li>• Navigation location detection performance has deteriorated. (Location correction using GPS is not performed.)</li> <li>• GPS receiving status remains gray.</li> </ul>	E
	<ul style="list-style-type: none"> <li>• Perform self-diagnosis.</li> <li>• When the NAVI control unit is judged normal by self-diagnosis, the symptom may be intermittent, caused by strong radio interference, or the control unit may have been subjected to excessively high or low temperatures.</li> </ul>		F
GPS ROM malfunction GPS RAM malfunction	Contents of ROM (or RAM) in GPS substrate are malfunctioning.	<ul style="list-style-type: none"> <li>• Location detection accuracy of the navigation system will deteriorate, depending on the error area in the memory, because GPS cannot make correct positioning. (Location correction using GPS is not performed.)</li> </ul>	G
	<ul style="list-style-type: none"> <li>• Perform self-diagnosis.</li> <li>• When the NAVI control unit is judged normal by self-diagnosis, the symptom may be intermittent, caused by strong radio interference.</li> </ul>		H
GPS RTC malfunction	Clock IC in GPS substrate is malfunctioning.	<ul style="list-style-type: none"> <li>• Correct time may not be displayed.</li> <li>• After the power is turned on, the system always takes some time until GPS positioning becomes possible. (The GPS receiver starts positioning without re-collecting the whole satellite information when it judged the data stored in the receiver is correct.)</li> <li>• Correct time of error occurrence may not be stored in the error history.</li> </ul>	I
	<ul style="list-style-type: none"> <li>• Perform self-diagnosis.</li> <li>• When the NAVI control unit is judged normal by self-diagnosis, the symptom may be intermittent, caused by strong radio interference.</li> </ul>		J
GPS antenna disconnected	Malfunctioning connection between GPS substrate in NAVI control unit and GPS antenna.	<ul style="list-style-type: none"> <li>• Navigation location detection performance has deteriorated. (Location correction using GPS is not performed.)</li> <li>• GPS receiving status remains gray.</li> </ul>	AV
	<ul style="list-style-type: none"> <li>• Perform self-diagnosis.</li> <li>• When connection between NAVI control unit and GPS antenna is judged normal by self-diagnosis, the symptom may be intermittent, caused by impact or vibration.</li> </ul>		L
Low voltage of GPS	The power voltage supplied to the GPS circuit board has decreased.	<ul style="list-style-type: none"> <li>• Navigation location detection performance has deteriorated. (Location correction using GPS is not performed.)</li> <li>• GPS receiving status remains gray.</li> </ul>	M
	<ul style="list-style-type: none"> <li>• Perform self-diagnosis.</li> <li>• When connection between NAVI control unit and GPS antenna is judged normal by self-diagnosis, the symptom may be intermittent, caused by impact or vibration.</li> </ul>		N
DVD-ROM Malfunction DVD-ROM Read error DVD-ROM Response Error	Malfunctioning NAVI control unit.	-	O
	Dedicated map DVD-ROM is in the system, but the data cannot be read.	<ul style="list-style-type: none"> <li>• The map of a particular location cannot be displayed.</li> <li>• Specific guidance information cannot be displayed.</li> <li>• Map display is slow.</li> <li>• Guidance information display is slow.</li> <li>• System has been affected by vibration.</li> </ul>	P
	<ul style="list-style-type: none"> <li>• Is map DVD-ROM damaged, warped, or dirty?</li> <li>- If damaged or warped, the map DVD-ROM is malfunctioning.</li> <li>- If dirty, wipe the DVD-ROM clean with a soft cloth.</li> <li>• Perform self-diagnosis.</li> <li>• When NAVI control unit is judged normal by self-diagnosis, the symptom is judged intermittent, caused by vibration.</li> </ul>		

Navigation

# NAVIGATION SYSTEM

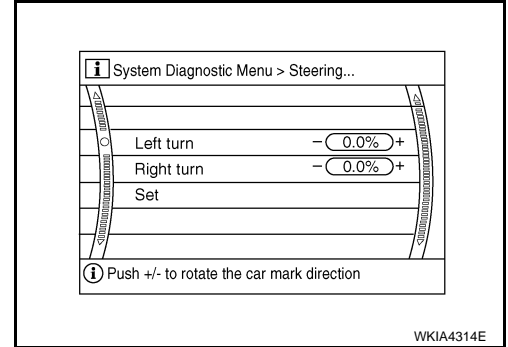
## < SERVICE INFORMATION >

1. The initial trouble diagnosis screen will be shown, and items “Steering Angle Adjustment” and “Speed Calibration” will become selective.
2. Select each switch on “NAVIGATION” screen to display the relevant diagnosis screen.



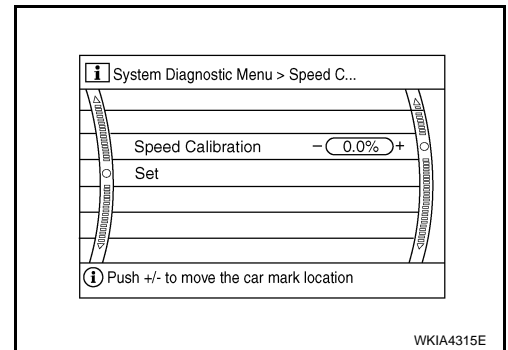
### Steering Angle Adjustment

- Adjusts turning angle output detected by the gyroscope.



### Speed Calibration

- During normal driving, distance error caused by tire wear and tire pressure change is automatically adjusted for by the automatic distance correction function. This function, on the other hand, is for immediate adjustment, in cases such as driving with tire chain fitted on tires.

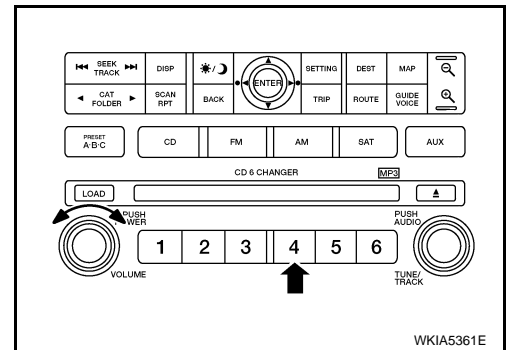


## CAN Diagnostic Support Monitor

INFOID:000000001721906

### OPERATION PROCEDURE

1. Start the engine.
2. Turn the audio system off.
3. While pressing the “4” button, turn the volume control dial clockwise or counterclockwise for 30 clicks or more. (When the self-diagnosis mode is started, a short beep will be heard.)
  - Shifting from current screen to previous screen is performed by pressing “PREV” button.

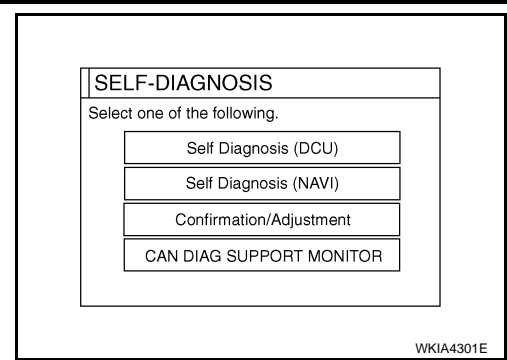




# NAVIGATION SYSTEM

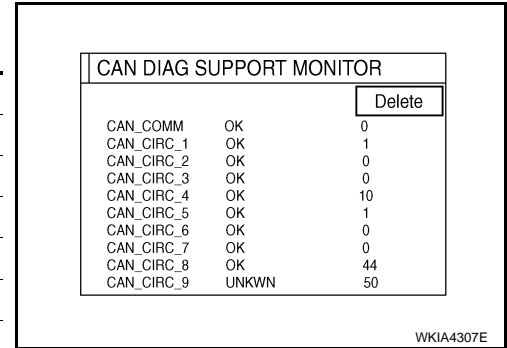
## < SERVICE INFORMATION >

- The initial trouble diagnosis screen will be shown, and items "Self-Diagnosis (DCU)", "Self-Diagnosis (NAVI)", "Confirmation/Adjustment" and "CAN DIAG SUPPORT MONITOR" will become selective.
- Select "CAN DIAG SUPPORT MONITOR".



- Display status of CAN communication.

Item	Content	Error counter
CAN_COMM	OK/NG	0-50
CAN_CIRC_1	OK/UNKWN	0-50
CAN_CIRC_2	OK/UNKWN	0-50
CAN_CIRC_3	OK/UNKWN	0-50
CAN_CIRC_4	OK/UNKWN	0-50
CAN_CIRC_5	OK/UNKWN	0-50
CAN_CIRC_6	OK/UNKWN	0-50
CAN_CIRC_7	OK/UNKWN	0-50
CAN_CIRC_8	OK/UNKWN	0-50
CAN_CIRC_9	OK/UNKWN	0-50



- If the ignition is turned on and UNKWN is shown on the screen, the value of the counter will be up. (MAX50)
  - The value of the counter does not change if the ignition changes to OFF. (MAX50)
  - If the counter shows the value of 50 and UNKWN is shown, the value of 50 will not be changed.
- After checking the state of "CAN DIAG SUPPORT MONITOR" displayed on the screen, refer to [LAN-38, "CAN Diagnostic Support Monitor"](#).

## AV Switch Self-Diagnosis Function

INFOID:000000001721907

Refer to [AV-46, "AV Switch Self-Diagnosis Function \(With NAVI\)"](#).

## Power Supply and Ground Circuit Inspection for NAVI Control Unit

INFOID:000000001721908

### 1. CHECK FUSE

Make sure the following fuses for the NAVI control unit are not blown.

Connector	Terminals		Power source	Fuse No.
	Terminal			
M96	2		Battery power	3
	5		ACC or ON power	6

#### OK or NG

OK >> GO TO 2.

NG >> If fuse is blown, be sure to eliminate cause of malfunction before installing new fuse. Refer to [PG-3](#).

### 2. CHECK POWER SUPPLY CIRCUIT

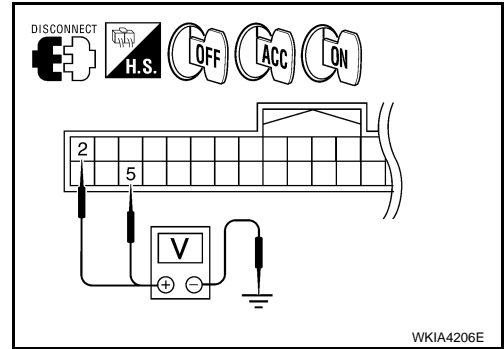
- Disconnect NAVI control unit connector M96.

# NAVIGATION SYSTEM

## < SERVICE INFORMATION >

- Check voltage between connector terminals and ground as follows.

Terminals		(-)	Ignition switch position		
(+)			OFF	ACC	ON
Connector	Terminal				
M96	2	Ground	Battery voltage	Battery voltage	Battery voltage
	5		0V	Battery voltage	Battery voltage



WKIA4206E

### OK or NG

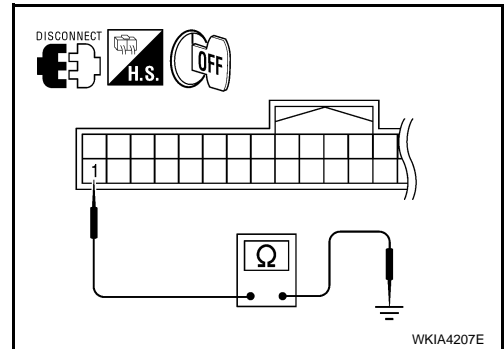
OK >> GO TO 3.

NG >> Check harness for open between NAVI control unit and fuse.

## 3.CHECK GROUND CIRCUIT

- Turn ignition switch OFF.
- Check continuity between the following NAVI control unit terminals and ground.

Terminals			Ignition switch	Continuity
Connector	Terminal	—		
M96	1	Ground	OFF	Yes



WKIA4207E

### OK or NG

OK >> Inspection End.

NG >> Repair or replace harness.

## Power Supply and Ground Circuit Inspection for Display Control Unit

INFOID:000000001721909

### 1.CHECK FUSE

Make sure the following fuses of the display control unit are not blown.

Terminals		Power source	Fuse No.
Connector	Terminal		
M94	1	Battery power	3
	10	ACC power	6

### OK or NG

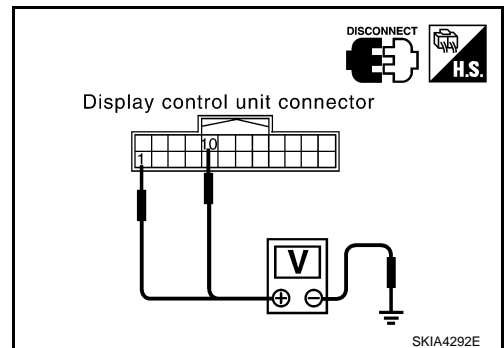
OK >> GO TO 2.

NG >> If fuse is blown, be sure to eliminate cause of malfunction before installing new fuse. Refer to [PG-3](#).

### 2.CHECK POWER SUPPLY CIRCUIT

- Disconnect display control unit connector M94.
- Check voltage between connector terminals and ground as follows.

Terminals		(-)	Ignition switch position		
(+)			OFF	ACC	ON
Connector	Terminal				
M94	1	Ground	Battery voltage	Battery voltage	Battery voltage
	10		0V	Battery voltage	Battery voltage



SKIA4292E

### OK or NG

# NAVIGATION SYSTEM

## < SERVICE INFORMATION >

- OK >> GO TO 3.
- NG >> Check harness for open between display control unit and fuse.

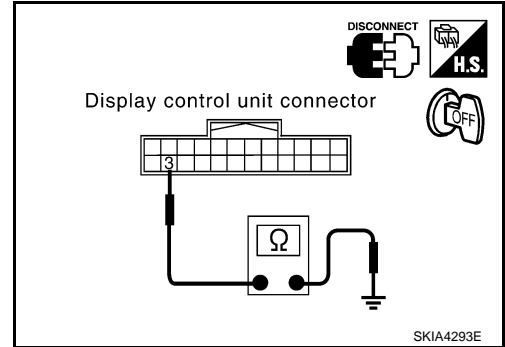
### 3. CHECK GROUND CIRCUIT

1. Turn ignition switch OFF.
2. Check continuity between the following display control unit terminal and ground.

Terminals		Continuity
(+)		
Connector	Terminal	(-)
M94	3	Ground
		Yes

#### OK or NG

- OK >> Inspection End.
- NG >> Repair or replace harness.



## Power Supply and Ground Circuit Inspection for Display Unit

INFOID:0000000001721910

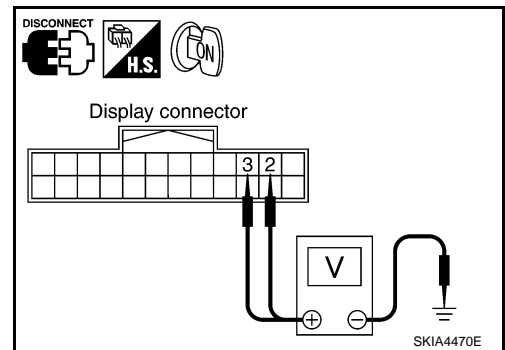
### 1. CHECK 1: POWER SUPPLY CIRCUIT

1. Disconnect display unit connector.
2. Turn ignition switch ON.
3. Check voltage between display unit harness connector M93 terminals 2, 3 and ground.

**Approx. 9V**

#### OK or NG

- OK >> GO TO 2.
- NG >> GO TO 3.



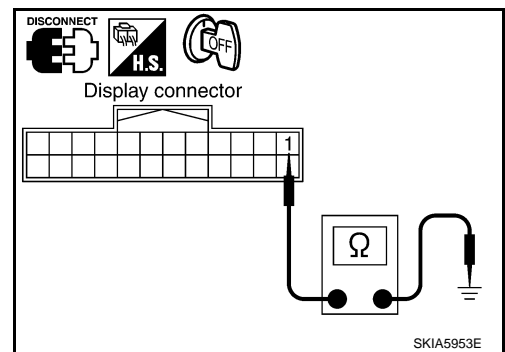
### 2. CHECK GROUND CIRCUIT

1. Turn ignition switch OFF.
2. Check continuity between display unit and ground as follows.

Terminals		Continuity
(+)		
Connector	Terminal	(-)
M93	1	Ground
		Yes

#### OK or NG

- OK >> Inspection End.
- NG >> Repair harness.



### 3. CHECK DISPLAY CONTROL UNIT POWER SUPPLY CIRCUIT

A  
B  
C  
D  
E  
F  
G  
H  
I  
J  
AV  
L  
M  
N  
O  
P

# NAVIGATION SYSTEM

## < SERVICE INFORMATION >

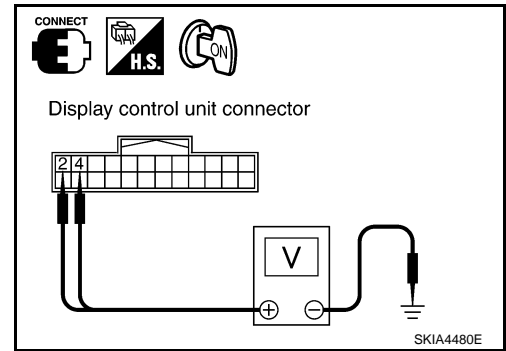
Check voltage between display control unit harness connector M94 terminals 2, 4 and ground.

1.

**Approx. 9V**

### OK or NG

- OK >> Repair harness.
- NG >> GO TO 4.

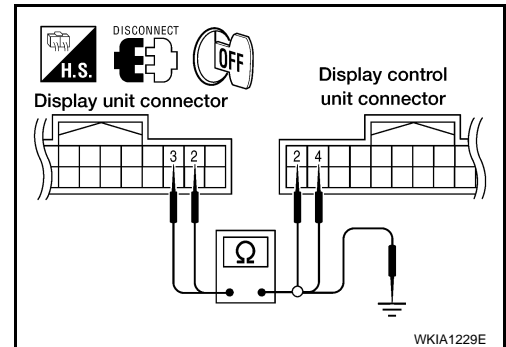


## 4.CHECK HARNESS

1. Turn ignition switch OFF.
2. Disconnect display control unit connector M94.
3. Check continuity between display control unit harness connector M94 terminals 2, 4 and display unit harness connector M93 terminals 2, 3.

Terminals				Continuity
Display control unit (+)		Display unit (-)		
Connector	Terminal	Connector	Terminal	
M94	2	M93	2	Yes
	4		3	

4. Check continuity between display unit and ground.



Terminals			Continuity
Display unit (+)		(-)	
Connector	Terminal		
M93	2	Ground	No
	3		

### OK or NG

- OK >> Replace display control unit. Refer to [AV-182, "Removal and Installation"](#).
- NG >> Repair harness.

## Power Supply and Ground Circuit Inspection for AV Switch

INFOID:000000001721911

### 1.CHECK FUSE

Make sure the following fuses of the AV switch are not blown.

Terminals		Power source	Fuse No.
Connector	Terminal		
M98	1	Battery power	3
	2	ACC power	6

### OK or NG

- OK >> GO TO 2.
- NG >> If fuse is blown, be sure to eliminate cause of malfunction before installing new fuse. Refer to [PG-3](#).

### 2.CHECK POWER SUPPLY CIRCUIT

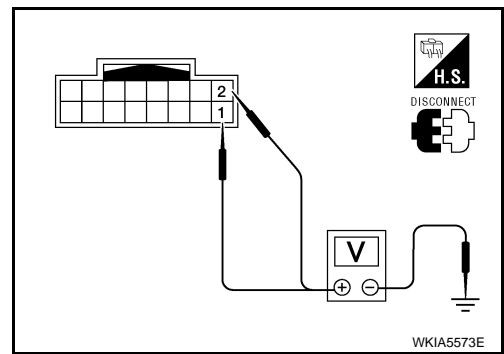
1. Disconnect AV switch connector.

# NAVIGATION SYSTEM

## < SERVICE INFORMATION >

- Check voltage between connector terminals and ground as follows.

Terminals		Ignition switch position			
(+)		(-)	OFF	ACC	ON
Connector	Terminal				
M98	1	Ground	Battery voltage	Battery voltage	Battery voltage
	2		0V	Battery voltage	Battery voltage



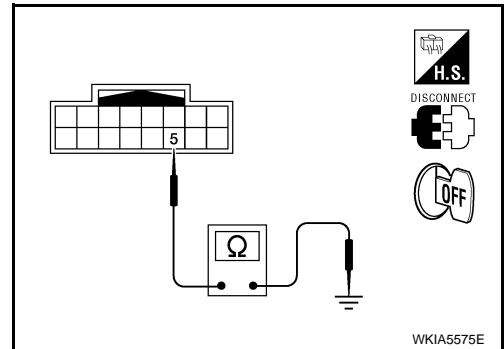
### OK or NG

- OK >> GO TO 3.
- NG >> Check harness for open between AV switch and fuse.

## 3.CHECK GROUND CIRCUIT

- Turn ignition switch OFF.
- Check continuity between AV switch and ground as follows.

Terminals		(-)	Continuity
(+)			
Connector	Terminal		
M98	5	Ground	Yes



### OK or NG

- OK >> Inspection End.
- NG >> Repair or replace harness.

## Vehicle Speed Signal Inspection for NAVI Control Unit

INFOID:000000001721912

### 1.CHECK HARNESS

- Turn ignition switch OFF.
- Disconnect NAVI control unit connector M97 and unified meter and A/C amp. connector M50.
- Check continuity between NAVI control unit harness connector M97 (B) terminal 66 and unified meter and A/C amp. harness connector M50 (A) terminal 26.

**Continuity should exist.**

- Check continuity between NAVI control unit harness connector M97 (B) terminal 66 and ground.

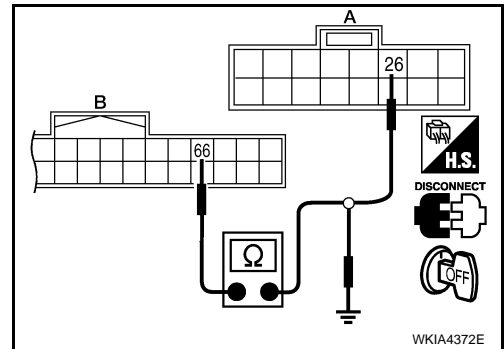
**Continuity should not exist.**

### OK or NG

- OK >> GO TO 2.
- NG >> Repair harness.

### 2.CHECK 1: VEHICLE SPEED SIGNAL

- Connect NAVI control unit connector M97 and unified meter and A/C amp. connector M50.
- Turn ignition switch ON.



# NAVIGATION SYSTEM

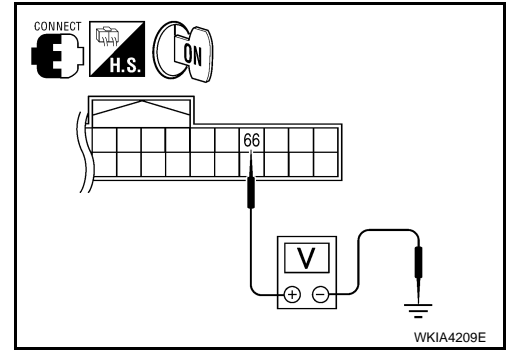
## < SERVICE INFORMATION >

3. Check voltage between NAVI control unit harness connector M97 terminal 66 and ground.

**Approx. 3.5V or more**

### OK or NG

- OK >> GO TO 3.
- NG >> Replace NAVI control unit. Refer to [AV-182. "Removal and Installation"](#).



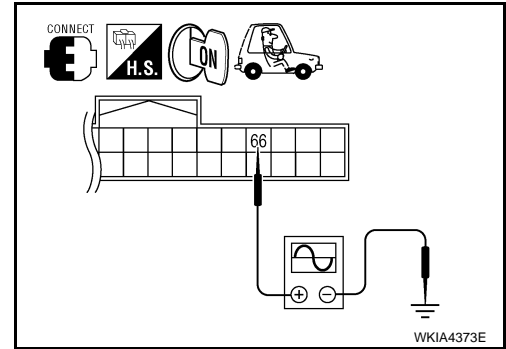
## 3.CHECK 2: VEHICLE SPEED SIGNAL

1. Drive vehicle at a constant speed.
2. Check signal between NAVI control unit harness connector M97 terminal 66 and ground with CONSULT-III or oscilloscope.

**66 - Ground** : Refer to [AV-125. "Terminal and Reference Value for NAVI Control Unit"](#).

### OK or NG

- OK >> Replace NAVI control unit. Refer to [AV-182. "Removal and Installation"](#).
- NG >> Check combination meter system. Refer to [DI-17. "Vehicle Speed Signal Inspection"](#).



## Vehicle Speed Signal Inspection for Display Control Unit

INFOID:000000001721913

## 1.CHECK HARNESS

1. Turn ignition switch OFF.
2. Disconnect display control unit connector M94 and unified meter and A/C amp. connector M50.
3. Check continuity between display control unit harness connector M94 terminal 16 and unified meter and A/C amp. harness connector M50 terminal 26.

**Continuity should exist.**

4. Check continuity between display control unit harness connector M94 terminal 16 and ground.

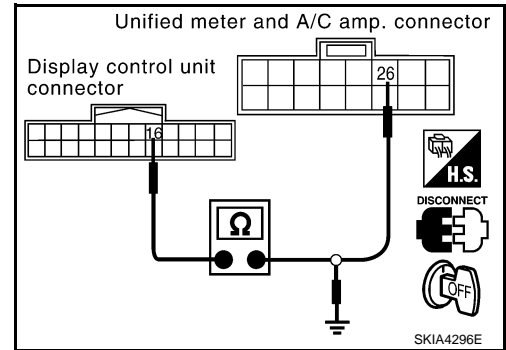
**Continuity should not exist.**

### OK or NG

- OK >> GO TO 2.
- NG >> Repair harness.

## 2.CHECK VEHICLE SPEED SIGNAL (VEHICLE PARKED)

1. Connect display control unit connector M94 and unified meter and A/C amp. connector M50.
2. Turn ignition switch ON.



# NAVIGATION SYSTEM

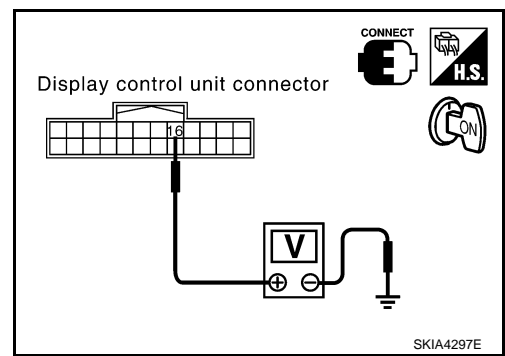
## < SERVICE INFORMATION >

- Check voltage between display control unit harness connector M94 terminal 16 and ground.

**Approx. 3.5V or more**

### OK or NG

- OK >> GO TO 3.
- NG >> Replace display control unit. Refer to [AV-182. "Removal and Installation"](#).



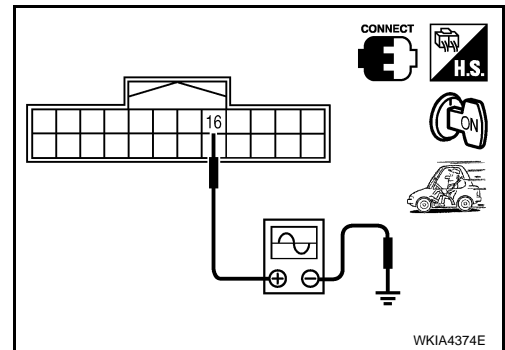
## 3.CHECK VEHICLE SPEED SIGNAL (VEHICLE MOVING)

- Drive vehicle at a constant speed.
- Check signal between display control unit harness connector M94 terminal 16 and ground with CONSULT-III or oscilloscope.

**16 - Ground** : Refer to [AV-127. "Terminal and Reference Value for Display Control Unit"](#).

### OK or NG

- OK >> Replace display control unit. Refer to [AV-182. "Removal and Installation"](#).
- NG >> Check unified meter and A/C amp. system. Refer to [DI-17. "Vehicle Speed Signal Inspection"](#).



## Illumination Signal Inspection for NAVI Control Unit

INFOID:000000001721914

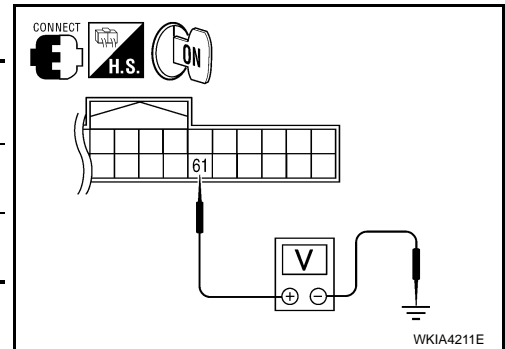
### 1.CHECK ILLUMINATION SIGNAL

- Turn the ignition switch ON.
- Check voltage between NAVI control unit and ground.

Terminals		(-)	Lighting switch position	
(+) Connector			1st or 2nd position	OFF
M97	Terminal 61	Ground	Battery voltage	Approx. 0V

### OK or NG

- OK >> Replace NAVI control unit. Refer to [AV-182. "Removal and Installation"](#).
- NG >> Check harness for open or short between NAVI control unit and IPDM E/R.



## Illumination Signal Inspection for Display Control Unit

INFOID:000000001721915

### 1.CHECK ILLUMINATION SIGNAL

- Turn ignition switch ON.

# NAVIGATION SYSTEM

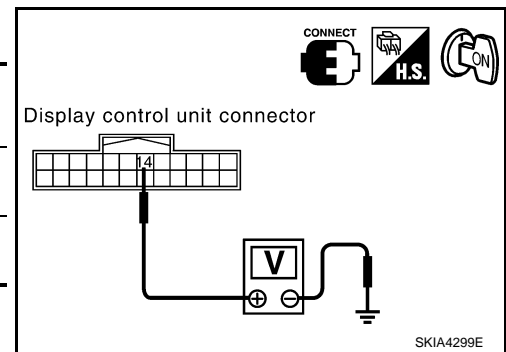
## < SERVICE INFORMATION >

2. Check voltage between display control unit and ground.

Terminals		Lighting switch position	1st or 2nd position	OFF
(+)				
Connector	Terminal		Battery voltage	Approx. 0V
M94	14	Ground		

### OK or NG

- OK >> Replace display control unit. Refer to [AV-182. "Removal and Installation"](#).
- NG >> Check harness for open or short between display control unit and IPDM E/R.



## Ignition Signal Inspection for NAVI Control Unit

INFOID:000000001721916

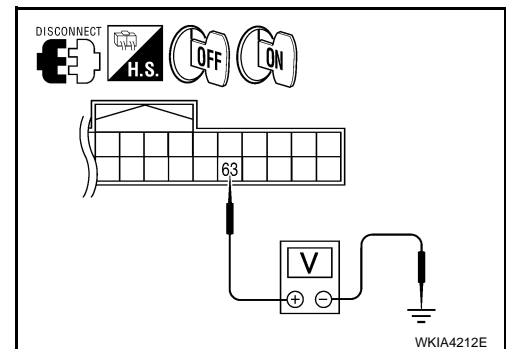
### 1. CHECK IGNITION SIGNAL

1. Disconnect NAVI control unit connector.
2. Turn ignition switch ON.
3. Check voltage between NAVI control unit harness connector M97 terminal 63 and ground.

**Battery voltage should exist.**

### OK or NG

- OK >> Replace NAVI control unit. Refer to [AV-182. "Removal and Installation"](#).
- NG >> Check harness for open or short between NAVI control unit and fuse.



## Ignition Signal Inspection for Display Control Unit

INFOID:000000001721917

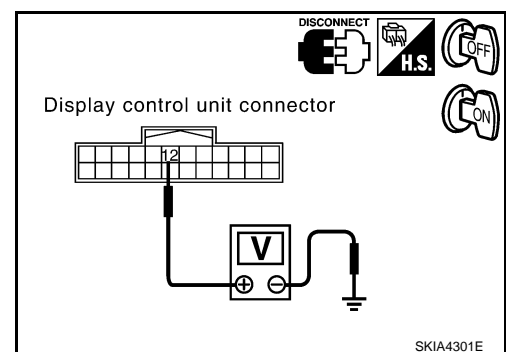
### 1. CHECK IGNITION SIGNAL

1. Disconnect display control unit connector.
2. Turn ignition switch ON.
3. Check voltage between display control unit harness connector M94 terminal 12 and ground.

**Battery voltage should exist.**

### OK or NG

- OK >> Replace display control unit. Refer to [AV-182. "Removal and Installation"](#).
- NG >> Check harness for open or short between display control unit and fuse.



## Reverse Signal Inspection for NAVI Control Unit

INFOID:000000001721918

### 1. CHECK REVERSE LAMP

1. Turn ignition switch ON.
2. Place selector lever into R-position. Do back-up lamps come on?

### YES or NO

- YES >> GO TO 2.
- NO >> Check back-up lamp system. Refer to [LT-96](#).

### 2. CHECK REVERSE SIGNAL



# NAVIGATION SYSTEM

## < SERVICE INFORMATION >

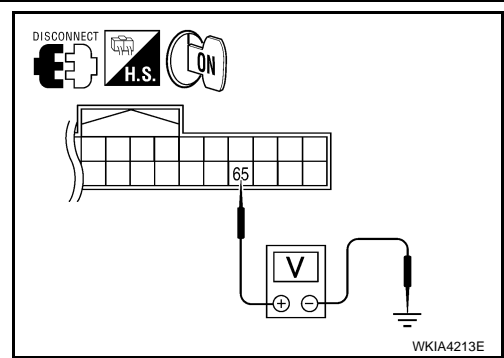
With the selector lever in R-position, check voltage between NAVI control unit and ground.

Terminals		Selector lever position			
(+)			(-)		
Connector	Terminal	R-position		Other than R-position	
M97	65	Battery voltage	Approx. 0V		

### OK or NG

OK >> Replace NAVI control unit. Refer to [AV-182, "Removal and Installation"](#).

NG >> Check harness for open or short between NAVI control unit and back-up lamp position relay.



## Reverse Signal Inspection for Display Control Unit

INFOID:000000001721919

### 1. CHECK REVERSE LAMP

1. Turn ignition switch ON.
2. Place selector lever into R-position. Do back-up lamps come on?

### YES or NO

YES >> GO TO 2.

NO >> Check back-up lamp system. Refer to [LT-96](#).

### 2. CHECK REVERSE SIGNAL

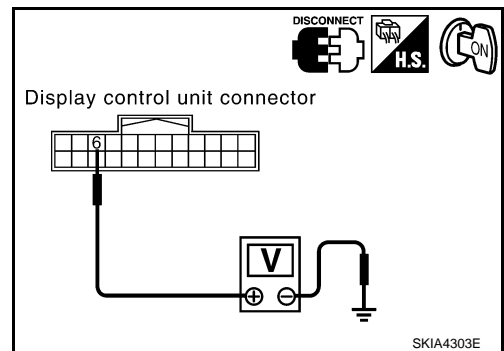
With the selector lever in R-position, check voltage between display control unit and ground.

Terminals		Selector lever position			
(+)			(-)		
Connector	Terminal	R-position		Other than R-position	
M94	6	Battery voltage	Approx. 0V		

### OK or NG

OK >> Replace display control unit. Refer to [AV-182, "Removal and Installation"](#).

NG >> Check harness for open or short between display control unit and back-up lamp position relay.



## AV Communication Line Check (Between Display Control Unit and NAVI Control Unit)

INFOID:000000001721920

### 1. CHECK POWER SUPPLY AND GROUND CIRCUIT

Check power supply and ground circuit for NAVI control unit. Refer to [AV-145, "Power Supply and Ground Circuit Inspection for NAVI Control Unit"](#).

### OK or NG

OK >> GO TO 2.

NG >> Check the malfunctioning parts.

### 2. CHECK HARNESS

1. Turn ignition switch OFF.
2. Disconnect NAVI control unit connector M97 and display control unit connector M95.

# NAVIGATION SYSTEM

## < SERVICE INFORMATION >

- Check continuity between NAVI control unit and display control unit.

Terminals				Continuity
B		A		
Connector	Terminal	Connector	Terminal	
NAVI control unit: M97	69	Display control unit: M95	32	Yes
	70		34	

- Check continuity between NAVI control unit and ground.

Terminals			Continuity
B		—	
Connector	Terminal		
NAVI control unit: M97	69	Ground	No
	70		

### OK or NG

OK >> GO TO 3.

NG >> Repair harness or connector.

## 3.CHECK SELF-DIAGNOSIS OF DCU

- Replace NAVI control unit.
- Connect NAVI control unit connector and display control unit connector.
- Turn ignition switch ON.
- Start self-diagnosis of DCU and check the self-diagnosis result.

### OK or NG

OK >> Inspection End.

NG >> Replace display control unit. Refer to [AV-182, "Removal and Installation"](#).

## Audio Communication Line Check (Between Display Control Unit and Audio Unit)

INFOID:000000001721921

## 1.CHECK POWER SUPPLY AND GROUND CIRCUIT

- Check system of power supply and ground circuit audio unit. Refer to [AV-50, "Power Supply Circuit Inspection"](#).

### OK or NG

OK >> GO TO 2.

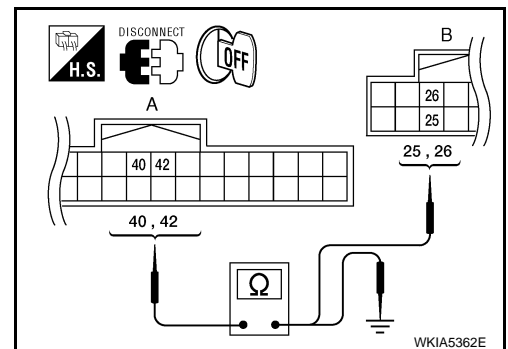
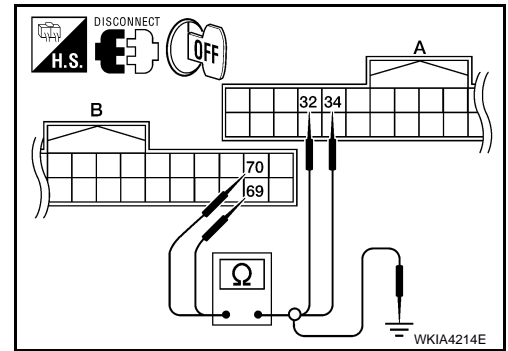
NG >> Check the malfunctioning parts.

## 2.CHECK HARNESS

- Turn ignition switch OFF.
- Disconnect display control unit (A) connector M95 and audio unit (B) connector M45.
- Check continuity between audio unit and display control unit.

Terminals				Continuity
A		B		
Connector	Terminal	Connector	Terminal	
M95	40	M45	23	Yes
	42		21	

- Check continuity between display control unit and ground.



# NAVIGATION SYSTEM

## < SERVICE INFORMATION >

Terminals		(-)	Continuity
Display control unit (+)			
Connector	Terminal	Ground	No
M95	40		
	42		

### OK or NG

- OK >> GO TO 3.
- NG >> Repair harness or connector.

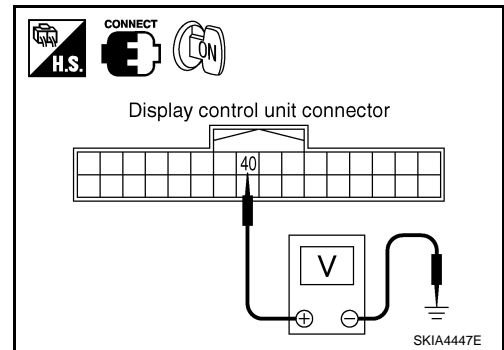
## 3. CHECK 1: AUDIO-TX COMMUNICATION SIGNAL

1. Connect display control unit connector .
2. Turn ignition switch ON.
3. Check voltage between display control unit harness connector M95 terminal 40 and ground.

**Approx. 3.5V or more**

### OK or NG

- OK >> GO TO 4.
- NG >> Replace display control unit. Refer to [AV-182, "Removal and Installation"](#).



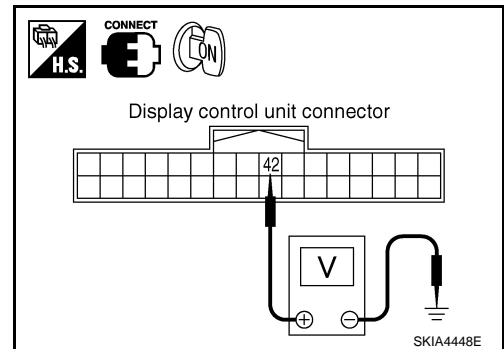
## 4. CHECK 2: AUDIO-RX COMMUNICATION SIGNAL

1. Connect audio unit connector.
2. Turn ignition switch ON.
3. Check voltage between display control unit harness connector M95 terminal 42 and ground.

**Approx. 3.5V or more**

### OK or NG

- OK >> GO TO 5.
- NG >> Replace audio unit. Refer to [AV-74, "Removal and Installation"](#).



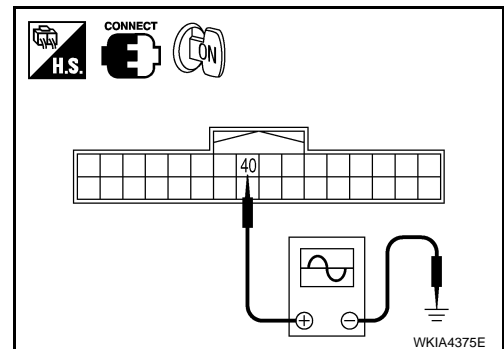
## 5. CHECK 3: AUDIO-TX COMMUNICATION SIGNAL

1. Turn ignition switch ON.
2. Check signal between display control unit harness connector M95 terminal 40 and ground with CONSULT-III or oscilloscope.

**40 - Ground** : Refer to [AV-127, "Terminal and Reference Value for Display Control Unit"](#).

### OK or NG

- OK >> GO TO 6.
- NG >> Replace audio unit. Refer to [AV-74, "Removal and Installation"](#).



## 6. CHECK 4: AUDIO-RX COMMUNICATION SIGNAL

1. Turn ignition switch ON.

# NAVIGATION SYSTEM

## < SERVICE INFORMATION >

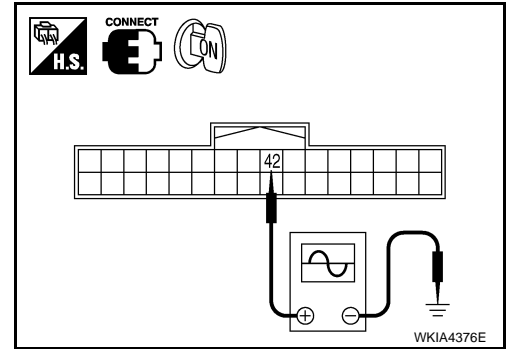
- Check signal between display control unit harness connector M95 terminal 42 and ground with CONSULT-III or oscilloscope.

**42 - Ground**

: Refer to [AV-127, "Terminal and Reference Value for Display Control Unit"](#).

### OK or NG

- OK >> Replace audio unit. Refer to [AV-74, "Removal and Installation"](#).
- NG >> Replace display control unit. Refer to [AV-182, "Removal and Installation"](#).



## Display Communication Line Check (Between Display Control Unit and Display Unit)

INFOID:000000001721922

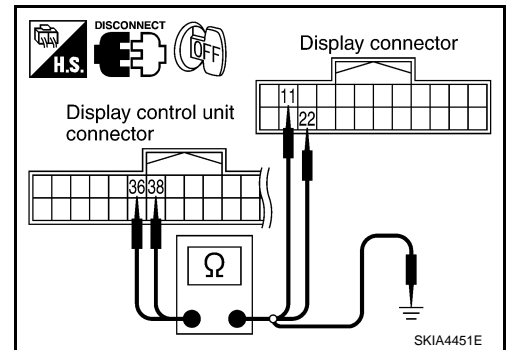
### 1. CHECK HARNESS

- Turn ignition switch OFF.
- Disconnect display unit connector M93 and display control unit connector M95.
- Check continuity between display control unit and display unit.

Terminals				Continuity
Display control unit (+)		Display unit (-)		
Connector	Terminal	Connector	Terminal	
M95	36	M93	11	Yes
	38		22	

- Check continuity between display control unit and ground.

Terminals			Continuity
Display control unit (+)		(-)	
Connector	Terminal		
M95	36	Ground	No
	38		



### OK or NG

- OK >> GO TO 2.
- NG >> Repair harness or connector.

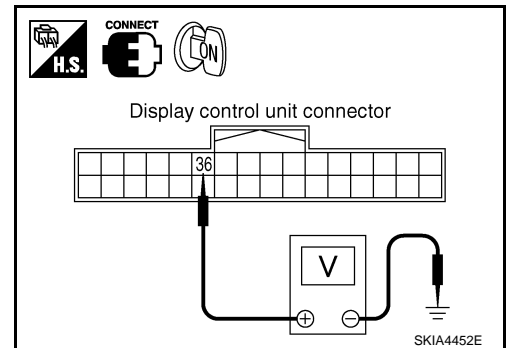
### 2. CHECK 1: COMMUNICATION SIGNAL (DCU-DSP)

- Connect display control unit connector.
- Turn ignition switch ON.
- Check voltage between display control unit harness connector M95 terminal 36 and ground.

**Approx. 3.5V or more**

### OK or NG

- OK >> GO TO 3.
- NG >> Replace display control unit. Refer to [AV-182, "Removal and Installation"](#).



### 3. CHECK 2: COMMUNICATION SIGNAL (DSP-DCU)

- Connect display unit connector.
- Turn ignition switch ON.

# NAVIGATION SYSTEM

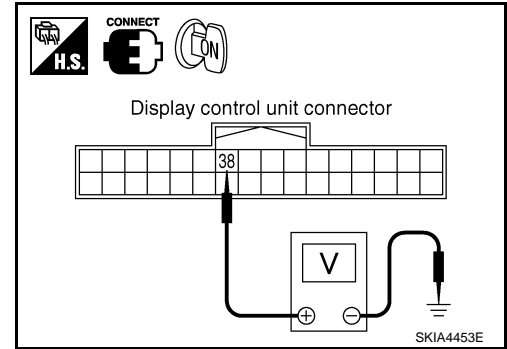
## < SERVICE INFORMATION >

- Check voltage between display control unit harness connector M95 terminal 38 and ground.

**Approx. 3.5V or more**

### OK or NG

- OK >> GO TO 4.
- NG >> Replace display unit. Refer to [AV-182. "Removal and Installation"](#).



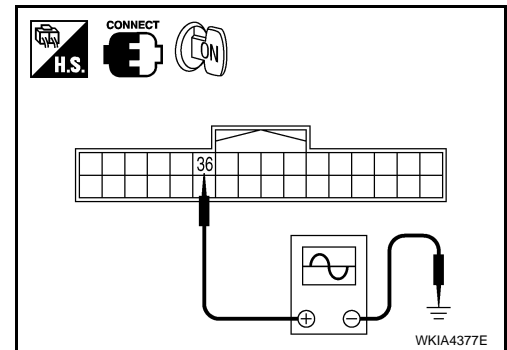
## 4.CHECK 3: COMMUNICATION SIGNAL (DCU–DSP)

- Turn ignition switch ON.
- Check signal between display control unit harness connector M95 terminal 36 and ground with CONSULT-III or oscilloscope.

**36 - Ground** : Refer to [AV-127. "Terminal and Reference Value for Display Control Unit"](#).

### OK or NG

- OK >> GO TO 5.
- NG >> Replace display unit. Refer to [AV-182. "Removal and Installation"](#).



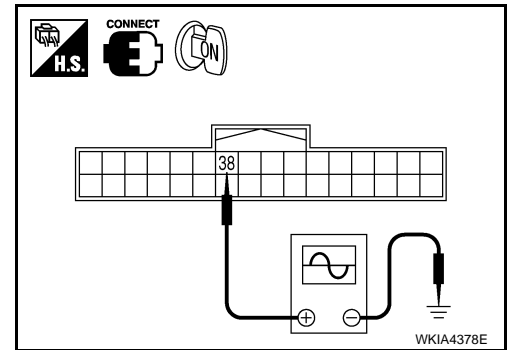
## 5.CHECK 4: COMMUNICATION SIGNAL (DSP–DCU)

- Turn ignition switch ON.
- Check signal between display control unit harness connector M95 terminal 38 and ground with CONSULT-III or oscilloscope.

**38 - Ground** : Refer to [AV-127. "Terminal and Reference Value for Display Control Unit"](#).

### OK or NG

- OK >> Replace display unit. Refer to [AV-182. "Removal and Installation"](#).
- NG >> Replace display control unit. Refer to [AV-182. "Removal and Installation"](#).



## AV Communication Line Check (Between Display Control Unit and AV Switch)

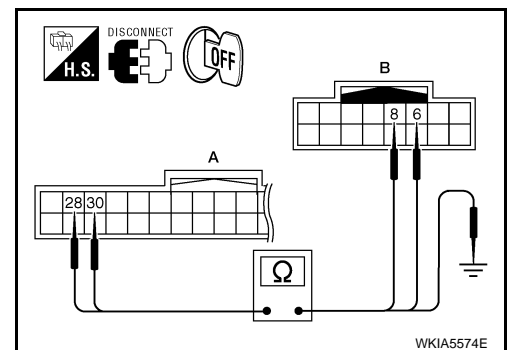
INFOID:000000001721923

### 1.CHECK AV SWITCH CIRCUIT

- Turn ignition switch OFF.
- Disconnect display control unit connector M95 and AV switch connector M98.
- Check continuity between display control unit and AV switch.

Terminals				Continuity
Display control unit (+)		AV switch (-)		
Connector	Terminal	Connector	Terminal	
M95	28	M98	6	Yes
	30		8	

- Check continuity between display control unit and ground.



# NAVIGATION SYSTEM

## < SERVICE INFORMATION >

Terminals			Continuity
Display control unit (+)		(-)	
Connector	Terminal		
M95	28	Ground	No
	30		

### OK or NG

OK >> GO TO 2.

NG >> Repair harness or connector.

## 2. CHECK AV COMMUNICATION SIGNAL

1. Connect display control unit connector and AV switch connector.
2. Turn ignition switch ON.
3. Check signal between display control unit harness connector M95 terminal 28 and 30 with CONSULT-III or oscilloscope.

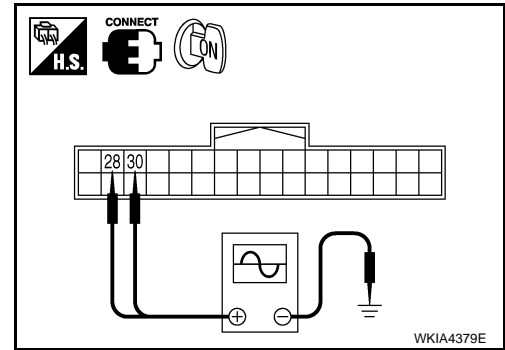
**28, 30 - Ground**

**: Refer to [AV-127, "Terminal and Reference Value for Display Control Unit"](#).**

### OK or NG

OK >> Replace AV switch. Refer to [AV-74, "Removal and Installation"](#).

NG >> Replace display control unit. Refer to [AV-182, "Removal and Installation"](#).



WKIA4379E

## CAN Communication Line Check

INFOID:000000001721924

## 1. CHECK MONITOR DESCRIPTION

1. Start display control unit self-diagnosis. Refer to [AV-134, "Self-Diagnosis Mode \(DCU\)"](#).
2. Select "CAN DIAG SUPPORT MONITOR". Refer to [AV-144, "CAN Diagnostic Support Monitor"](#).

Item	content		Error counter
	Normal condition	Errorr (Example)	
CANCOMM	OK	NG	0-50
CAN_CIRC_1	OK	UNKWN	0-50
CAN_CIRC_2	OK	UNKWN	0-50
CAN_CIRC_3	OK	UNKWN	0-50
CAN_CIRC_4	OK	UNKWN	0-50
CAN_CIRC_5	OK	UNKWN	0-50
CAN_CIRC_6	OK	UNKWN	0-50
CAN_CIRC_7	OK	UNKWN	0-50
CAN_CIRC_8	OK	UNKWN	0-50
CAN_CIRC_9	OK	UNKWN	0-50

CAN DIAG SUPPORT MONITOR			Delete
CAN_COMM	OK		0
CAN_CIRC_1	OK		1
CAN_CIRC_2	OK		0
CAN_CIRC_3	OK		0
CAN_CIRC_4	OK		10
CAN_CIRC_5	OK		1
CAN_CIRC_6	OK		0
CAN_CIRC_7	OK		0
CAN_CIRC_8	OK		44
CAN_CIRC_9	UNKWN		50

WKIA4307E

3. Record each item display description (OK/NG/UNKWN) displayed on the following CAN DIAG SUPPORT MONITOR Check Sheet.

CAN DIAG SUPPORT MONITOR Check Sheet

Diagnosis item	Screen display		Diagnosis item	Screen display	
CANCOMM	OK	NG	CAN_CIRC_5	OK	UNKWN
CAN_CIRC_1	OK	UNKWN	CAN_CIRC_6	OK	UNKWN
CAN_CIRC_2	OK	UNKWN	CAN_CIRC_7	OK	UNKWN

# NAVIGATION SYSTEM

## < SERVICE INFORMATION >

Diagnosis item	Screen display		Diagnosis item	Screen display	
CAN_CIRC_3	OK	UNKWN	CAN_CIRC_8	OK	UNKWN
CAN_CIRC_4	OK	UNKWN	CAN_CIRC_9	OK	UNKWN

>> After filling in CAN DIAG SUPPORT MONITOR Check Sheet, GO TO [LAN-38](#).

## NAVI control unit detects that DVD-ROM map is not inserted

INFOID:000000001721925

### 1.CHECK DVD-ROM

1. Make sure identified DVD-ROM map is inserted.

#### OK or NG

- OK >> Replace NAVI control unit. Refer to [AV-182, "Removal and Installation"](#).
- NG >> Insert identified DVD-ROM map.

## NAVI control unit detects that inserted DVD-ROM map is malfunctioning or if it is impossible to load data from DVD-ROM map

INFOID:000000001721926

### 1.CHECK DVD-ROM RECOGNITION

1. Remove inserted DVD-ROM map to check that it is identified.

#### OK or NG

- OK >> GO TO 2.
- NG >> Replace identified DVD-ROM map.

### 2.CHECK DVD-ROM

1. Check DVD-ROM for dirt, scratches and warpage.

#### OK or NG

- OK >> GO TO 3.
- NG >> Replace DVD-ROM map.

### 3.CHECK DVD-ROM READER

1. Insert same DVD-ROM to make sure same diagnosis result is found as last self-diagnosis.

#### OK or NG

- OK >> Replace NAVI control unit. Refer to [AV-182, "Removal and Installation"](#).
- NG >> Replace DVD-ROM map.

## Connection Between NAVI Control Unit and GPS Antenna Is Malfunctioning

INFOID:000000001721927

### 1.CHECK GPS ANTENNA

1. Check cable for GPS antenna for damage.

#### OK or NG

- OK >> GO TO 2.
- NG >> Replace GPS antenna. Refer to [AV-182, "Removal and Installation"](#).

### 2.CHECK BY REPLACEMENT OF GPS ANTENNA

1. Replace with other functional GPS antenna to try self-diagnosis again.

#### Result of self-diagnosis: Found same result?

- Yes >> Replace NAVI control unit. Refer to [AV-182, "Removal and Installation"](#).
- No >> Replace GPS antenna. Refer to [AV-182, "Removal and Installation"](#).

## RGB Screen Is Not Shown

INFOID:000000001721928

### 1.CHECK HARNESS

1. Turn ignition switch OFF.
2. Disconnect display control unit connector M95 and display unit connector M93.

# NAVIGATION SYSTEM

## < SERVICE INFORMATION >

3. Check continuity between display control unit harness connector M95 terminal 51 and display unit harness connector M93 terminal 9.

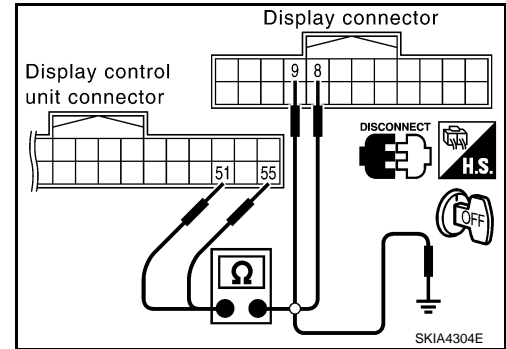
**Continuity should exist.**

4. Check continuity between display control unit harness connector M95 terminal 55 and display unit harness connector M93 terminal 8.

**Continuity should exist.**

5. Check continuity between display control unit harness connector M95 terminal 51, 55 and ground.

**Continuity should not exist.**



### OK or NG

- OK >> GO TO 2.
- NG >> Repair harness.

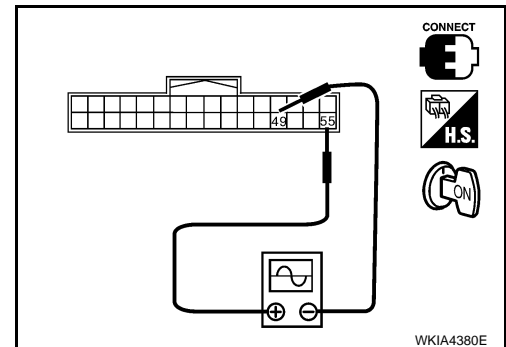
## 2.CHECK HORIZONTAL SYNCHRONIZATION SIGNAL

1. Connect display control unit connector and display unit connector.
2. Turn ignition switch ON.
3. Check signal between display control unit connector M95 terminals 55 and 49 with CONSULT-III or oscilloscope.

**55 - 49 : Refer to [AV-127, "Terminal and Reference Value for Display Control Unit"](#).**

### OK or NG

- OK >> GO TO 3.
- NG >> Replace display unit. Refer to [AV-182, "Removal and Installation"](#).



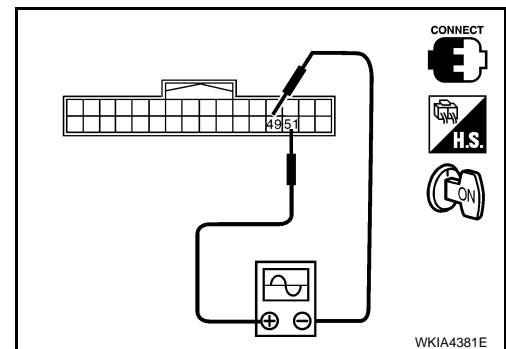
## 3.CHECK RGB AREA SIGNAL

1. Press the "TRIP" button.
2. Check signal between display control unit connector M95 terminals 51 and 49 with CONSULT-III or oscilloscope.

**51 - 49 : Refer to [AV-127, "Terminal and Reference Value for Display Control Unit"](#).**

### OK or NG

- OK >> Replace display unit. Refer to [AV-182, "Removal and Installation"](#).
- NG >> Replace display control unit. Refer to [AV-182, "Removal and Installation"](#).



## Color of RGB Image Is Not Proper (NAVI Screen Looks Bluish)

INFOID:000000001721929

### 1.CHECK RGB HARNESS

1. Turn ignition switch OFF.
2. Disconnect NAVI control unit connector M96 and display control unit connector M95.
3. Check continuity between NAVI control unit and display control unit.
4. Check continuity between NAVI control unit and ground.

• **When the screen looks bluish.**



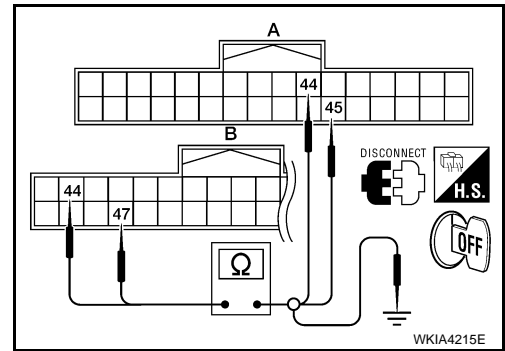
# NAVIGATION SYSTEM

## < SERVICE INFORMATION >

Terminals				Continuity
B		A		
Connector	Terminal	Connector	Terminal	
NAVI control unit: M96	44	Display control unit: M95	44	Yes
	47		45	

Terminals				Continuity
B		—		
Connector	Terminal			
NAVI control unit: M96	44	Ground		No
	47			



### OK or NG

- OK >> GO TO 2.
- NG >> Repair harness or connector.

## 2. CHECK RGB SIGNAL

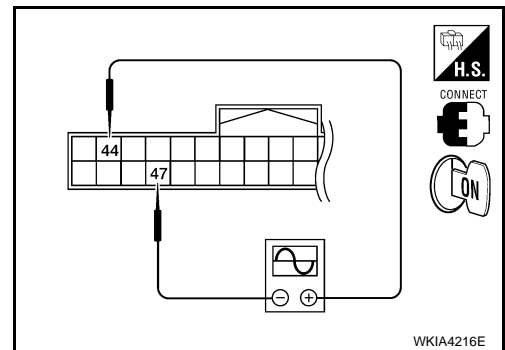
1. Connect NAVI control unit connector and display control unit connector.
2. Turn ignition switch ON.
3. Display "Color bar" by "CONFIRMATION/ADJUSTMENT" mode.
4. Check signal between NAVI control unit connector M96 terminal 44 and 47 with CONSULT-III or oscilloscope.

### • When the screen looks bluish.

Voltage signal between NAVI control unit connector M96 terminal 44 and 47.

44 - 47

: Refer to [AV-125. "Terminal and Reference Value for NAVI Control Unit"](#) .



### OK or NG

- OK >> Replace display control unit. Refer to [AV-182. "Removal and Installation"](#) .
- NG >> Replace NAVI control unit. Refer to [AV-182. "Removal and Installation"](#) .

## Color of RGB Image Is Not Proper (Only NAVI Screen Looks Reddish)

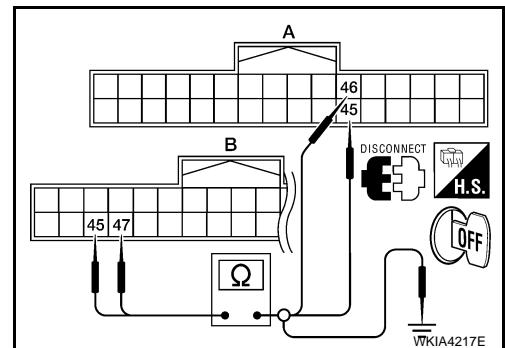
INFOID:000000001721930

## 1. CHECK RGB HARNESS

1. Turn ignition switch OFF.
2. Disconnect NAVI control unit connector M96 and display control unit connector M95.
3. Check continuity between NAVI control unit and display control unit.
4. Check continuity between NAVI control unit and ground.

### • When the screen looks reddish.

Terminals				Continuity
B		A		
Connector	Terminal	Connector	Terminal	
NAVI control unit: M96	45	Display control unit: M95	46	Yes
	47		45	



# NAVIGATION SYSTEM

## < SERVICE INFORMATION >

Terminals			Continuity
B		—	
Connector	Terminal		
NAVI control unit: M96	45	Ground	No
	47		

### OK or NG

- OK >> GO TO 2.
- NG >> Repair harness or connector.

## 2. CHECK RGB SIGNAL

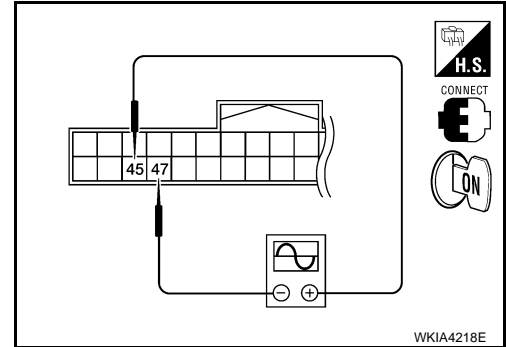
1. Connect NAVI control unit connector and display control unit connector.
2. Turn ignition switch ON.
3. Display "Color bar" by "CONFIRMATION/ADJUSTMENT" mode.
4. Check signal between NAVI control unit connector M96 terminal 45 and 47 with CONSULT-III or oscilloscope.

### • When the screen looks reddish.

Voltage signal between NAVI control unit connector M96 terminal 45 and 47.

45 - 47

: Refer to [AV-125, "Terminal and Reference Value for NAVI Control Unit"](#) .



### OK or NG

- OK >> Replace display control unit. Refer to [AV-182, "Removal and Installation"](#) .
- NG >> Replace NAVI control unit. Refer to [AV-182, "Removal and Installation"](#) .

## Color of RGB Image Is Not Proper (Only NAVI Screen Looks Yellowish)

INFOID:000000001721931

## 1. CHECK RGB HARNESS

1. Turn ignition switch OFF.
2. Disconnect NAVI control unit connector M96 and display control unit connector M95.
3. Check continuity between NAVI control unit and display control unit.
4. Check continuity between NAVI control unit and ground.

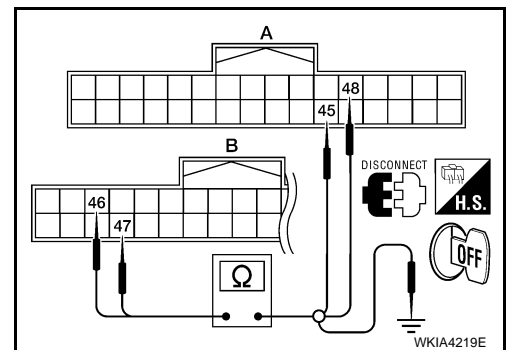
### • When the screen looks yellowish.

Terminals				Continuity
B		A		
Connector	Terminal	Connector	Terminal	
NAVI control unit: M96	46	Display control unit: M95	48	Yes
	47		45	

Terminals			Continuity
B		—	
Connector	Terminal		
NAVI control unit: M96	46	Ground	No
	47		

### OK or NG

- OK >> GO TO 2.
- NG >> Repair harness or connector.



# NAVIGATION SYSTEM

## < SERVICE INFORMATION >

### 2. CHECK RGB SIGNAL

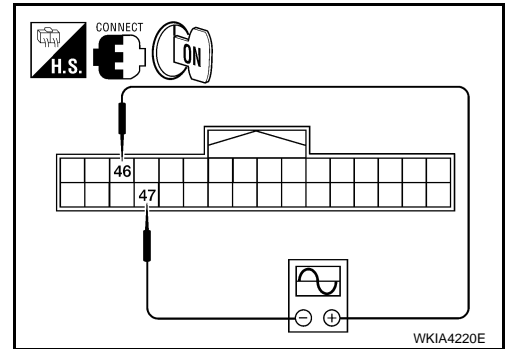
1. Connect NAVI control unit connector and display control unit connector.
2. Turn ignition switch ON.
3. Display "Color bar" by "CONFIRMATION/ADJUSTMENT" mode.
4. Check signal between NAVI control unit connector M96 terminal 46 and 47 with CONSULT-III or oscilloscope.

• **When the screen looks yellowish.**

Voltage signal between NAVI control unit connector M96 terminal 46 and 47.

46 - 47

: Refer to [AV-125. "Terminal and Reference Value for NAVI Control Unit"](#) .



#### OK or NG

OK >> Replace display control unit. Refer to [AV-182. "Removal and Installation"](#) .

NG >> Replace NAVI control unit. Refer to [AV-182. "Removal and Installation"](#) .

### Color of RGB Image Is Not Proper (Except NAVI Screen Looks Bluish)

INFOID:000000001721932

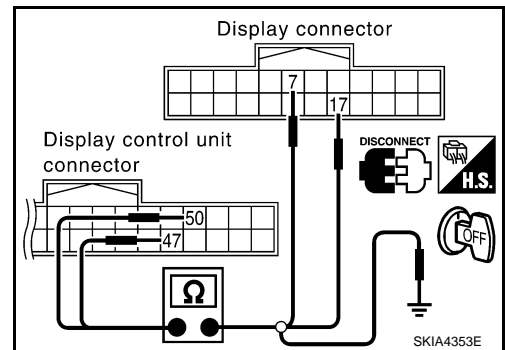
### 1. CHECK RGB HARNESS

1. Turn ignition switch OFF.
2. Disconnect display control unit connector M95 and display unit connector M93.
3. Check continuity between display control unit and display unit.
4. Check continuity between display control unit and ground.

• **When the screen looks bluish**

Terminals				Continuity
Display control unit (+)		Display unit (-)		
Connector	Terminal	Connector	Terminal	Yes
M95	50	M93	17	
	47		7	

Terminals				Continuity
Display control unit (+)			(-)	
Connector	Terminal		Ground	No
M95	50			
	47			



#### OK or NG

OK >> GO TO 2.

NG >> Repair harness or connector.

### 2. CHECK RGB SIGNAL

1. Connect display control unit connector and display unit connector.
2. Turn ignition switch ON.
3. Display "Color bar" by "CONFIRMATION/ADJUSTMENT" mode.

# NAVIGATION SYSTEM

## < SERVICE INFORMATION >

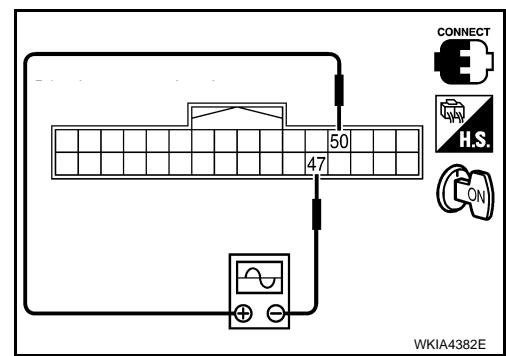
4. Check the following with CONSULT-III or oscilloscope.

• **When the screen looks bluish.**

Voltage signal between display control unit connector M95 terminal 50 and 47.

50 - 47

: Refer to [AV-127, "Terminal and Reference Value for Display Control Unit"](#).



OK or NG

OK >> Replace display unit. Refer to [AV-182, "Removal and Installation"](#).

NG >> Replace display control unit. Refer to [AV-182, "Removal and Installation"](#).

## Color of RGB Image Is Not Proper (Except NAVI Screen Looks Reddish)

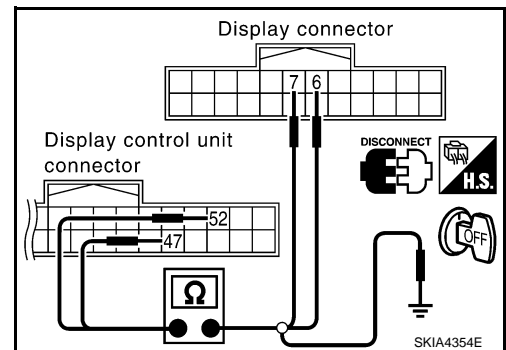
INFOID:000000001721933

### 1. CHECK RGB HARNESS

1. Turn ignition switch OFF.
2. Disconnect display control unit connector M95 and display unit connector M93.
3. Check continuity between display control unit and display unit.
4. Check continuity between display control unit and ground.

• **When the screen looks reddish.**

Terminals				Continuity
Display control unit (+)		Display unit (-)		
Connector	Terminal	Connector	Terminal	Yes
M95	52	M93	6	
	47		7	



Terminals			Continuity
Display control unit (+)		(-)	
Connector	Terminal		No
M95	52	Ground	
	47		

OK or NG

OK >> GO TO 2.

NG >> Repair harness or connector.

### 2. CHECK RGB SIGNAL

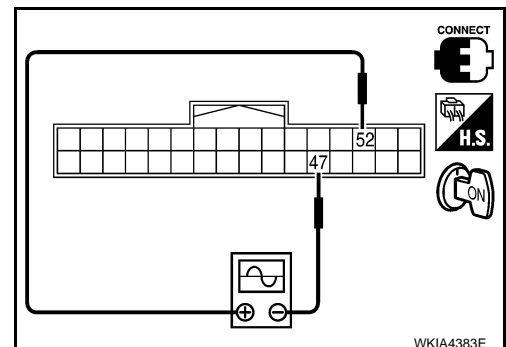
1. Connect display control unit connector and display unit connector.
2. Turn ignition switch ON.
3. Display "Color bar" by "CONFIRMATION/ADJUSTMENT" mode.
4. Check the following with CONSULT-III or oscilloscope.

• **When the screen looks reddish.**

Voltage signal between display control unit connector M95 terminal 52 and 47.

52 - 47

: Refer to [AV-127, "Terminal and Reference Value for Display Control Unit"](#).



OK or NG

OK >> Replace display unit. Refer to [AV-182, "Removal and Installation"](#).

NG >> Replace display control unit. Refer to [AV-182, "Removal and Installation"](#).

# NAVIGATION SYSTEM

< SERVICE INFORMATION >

## Color of RGB Image Is Not Proper (Except NAVI Screen Looks Yellowish)

INFOID:000000001721934

### 1. CHECK RGB HARNESS

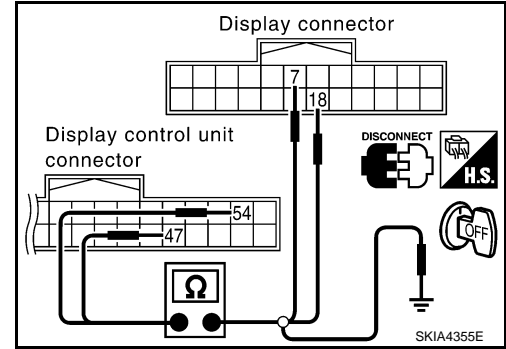
1. Turn ignition switch OFF.
2. Disconnect display control unit connector M95 and display unit connector M93.
3. Check continuity between display control unit and display unit.
4. Check continuity between display control unit and ground.

• **When the screen looks yellowish.**

Terminals				Continuity
Display control unit (+)		Display unit (-)		
Connector	Terminal	Connector	Terminal	
M95	54	M93	18	Yes
	47		7	

Terminals			Continuity
Display control unit (+)		(-)	
Connector	Terminal		
M95	54	Ground	No
	47		



OK or NG

- OK >> GO TO 2.
- NG >> Repair harness or connector.

### 2. CHECK RGB SIGNAL

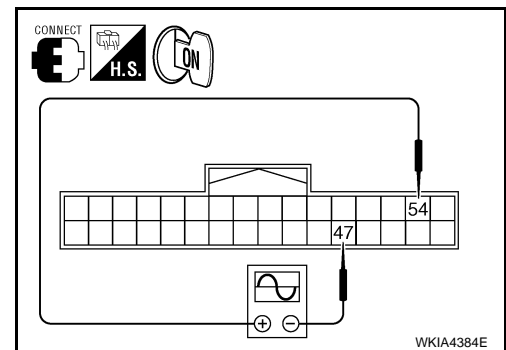
1. Connect display control unit connector and display unit connector.
2. Turn ignition switch ON.
3. Display "Color bar" by "CONFIRMATION/ADJUSTMENT" mode.
4. Check the following with CONSULT-III or oscilloscope.

• **When the screen looks yellowish.**

Voltage signal between display control unit connector M95 terminal 54 and 47.

**54 - 47**

**: Refer to [AV-127](#). "Terminal and Reference Value for Display Control Unit".**



OK or NG

- OK >> Replace display unit. Refer to [AV-182](#). "Removal and Installation".
- NG >> Replace display control unit. Refer to [AV-182](#). "Removal and Installation".

## NAVI Screen Is Rolling

INFOID:000000001721935

### 1. CHECK HARNESS

1. Turn ignition switch OFF.
2. Disconnect NAVI control unit connector M96 and display control unit connector M95.
3. Check continuity between NAVI control unit and display control unit.

# NAVIGATION SYSTEM

## < SERVICE INFORMATION >

Terminals				Continuity
B		A		
Connector	Terminal	Connector	Terminal	
NAVI control unit: M96	48	Display control unit: M95	43	Yes
	49		41	

4. Check continuity between NAVI control unit and ground.

Terminals				Continuity
B		—		
Connector	Terminal			
NAVI control unit: M96	48	Ground		No
	49			

### OK or NG

OK >> GO TO 2.

NG >> Repair harness.

## 2. CHECK RGB SYNCHRONIZING SIGNAL

1. Connect NAVI control unit connector and display control unit connector.
2. Turn ignition switch ON.
3. Check signal between NAVI control unit connector M96 terminals 48 and 49 with CONSULT-III or oscilloscope.

48 - 49

: Refer to [AV-125, "Terminal and Reference Value for NAVI Control Unit"](#) .

### OK or NG

OK >> GO TO 3.

NG >> Replace NAVI control unit. Refer to [AV-182, "Removal and Installation"](#) .

## 3. CHECK HARNESS

1. Turn ignition switch OFF.
2. Disconnect display control unit connector M95 and display unit connector M93.
3. Check continuity between display control unit and display unit.

Terminals				Continuity
Display control unit		Display unit		
Connector	Terminal	Connector	Terminal	
M95	56	M93	19	Yes
	49		21	

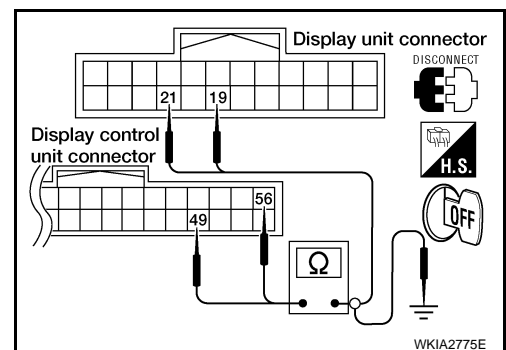
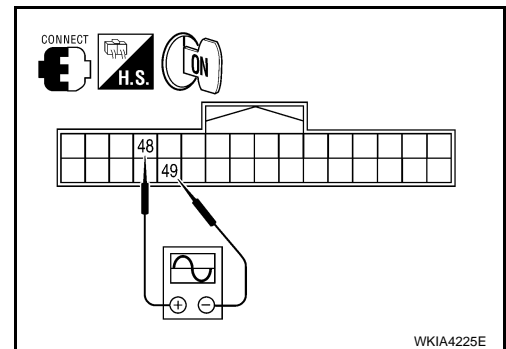
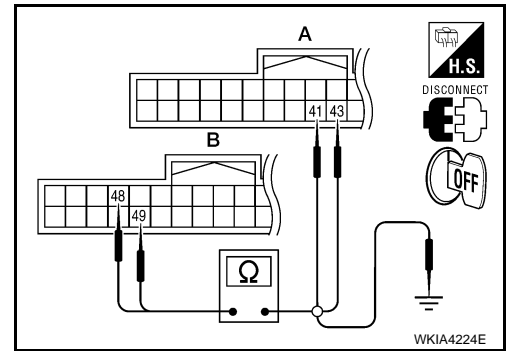
4. Check continuity between display control unit and ground.

Terminals				Continuity
Display control unit		—		
Connector	Terminal			
M95	56	Ground		No
	49			

### OK or NG

OK >> GO TO 4.

NG >> Repair harness.



# NAVIGATION SYSTEM

## < SERVICE INFORMATION >

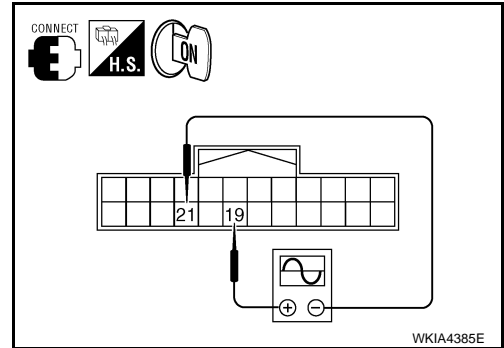
### 4. CHECK RGB SYNCHRONIZING SIGNAL

1. Connect display control unit connector and display unit connector.
2. Turn ignition switch ON.
3. Check signal between display unit connector M93 terminals 19 and 21 with CONSULT-III or oscilloscope.

**19 - 21** : Refer to [AV-132, "Terminal and Reference Value for Display Unit"](#) .

#### OK or NG

- OK >> Replace display unit. Refer to [AV-182, "Removal and Installation"](#) .
- NG >> Replace display control unit. Refer to [AV-182, "Removal and Installation"](#) .



### RGB Screen Is Rolling (Except NAVI Screen)

INFOID:000000001721936

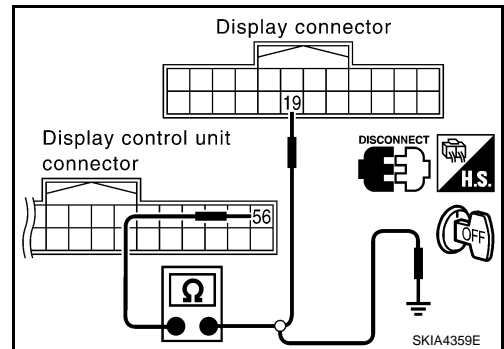
### 1. CHECK HARNESS

1. Turn ignition switch OFF.
2. Disconnect display control unit connector M95 and display unit connector M93.
3. Check continuity between display control unit and display unit.

Terminals				Continuity
Display control unit (+)		Display unit (-)		
Connector	Terminal	Connector	Terminal	
M95	56	M93	19	Yes

4. Check continuity between display control unit and ground.

Terminals			Continuity
Display control unit (+)		(-)	
Connector	Terminal		
M95	56	Ground	No



#### OK or NG

- OK >> GO TO 2.
- NG >> Repair harness.

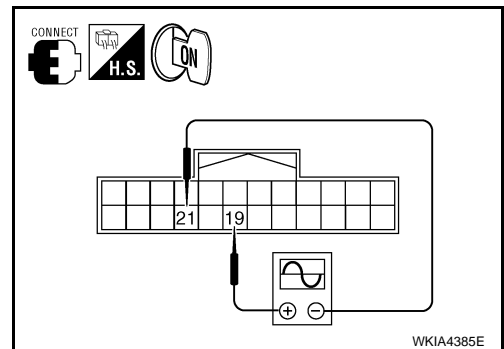
### 2. CHECK RGB SYNCHRONIZING SIGNAL

1. Connect display control unit connector and display unit connector.
2. Turn ignition switch ON.
3. Check signal between display unit connector M93 terminals 19 and 21 with CONSULT-III or oscilloscope.

**19 - 21** : Refer to [AV-127, "Terminal and Reference Value for Display Control Unit"](#) .

#### OK or NG

- OK >> Replace display unit. Refer to [AV-182, "Removal and Installation"](#) .
- NG >> Replace display control unit. Refer to [AV-182, "Removal and Installation"](#) .



### Guide Sound Is Not Heard

INFOID:000000001721937

### 1. CHECK VOICE GUIDE SETTING

# NAVIGATION SYSTEM

## < SERVICE INFORMATION >

- While driving in the dark pink route, voice guide does not operate. (note)
- Is volume setting not switched ON?

### NOTE:

Voice guide is only available at intersections that satisfy certain conditions (indicated by ● on the map). Therefore, guidance may not be given even when the route on the map changes direction.

### Yes or No

YES >> GO TO 2.

NO >> Switch the setting ON and turn the volume up.

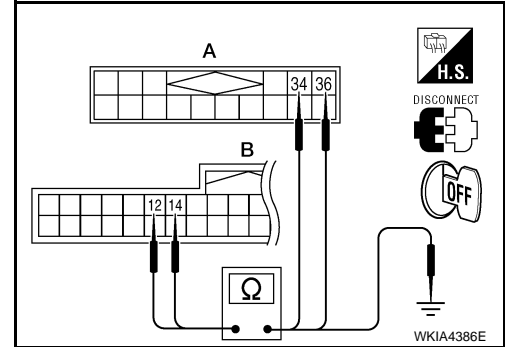
## 2.CHECK HARNESS

1. Turn ignition switch OFF.
2. Disconnect NAVI control unit connector M96 and audio unit connector M45.
3. Check continuity between NAVI control unit and audio unit.

Terminals				Continuity
B		A		
Connector	Terminal	Connector	Terminal	
NAVI control unit: M96	12	Audio unit: M45	36	Yes
	14		34	

4. Check continuity between NAVI control unit and ground.

Terminals			Continuity
B		—	
Connector	Terminal		
NAVI control unit: M96	12	Ground	No
	14		



### Ok or NG

OK >> GO TO 3.

NG >> Repair harness.

## 3.CHECK VOICE GUIDE

1. Connect NAVI control unit connector and audio unit connector.
2. Turn ignition switch ON.
3. Check signal between NAVI control unit harness connector M96 terminal 12 and 14 with CONSULT-III or oscilloscope.

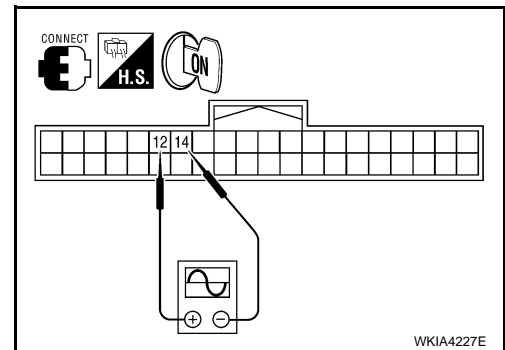
12 - 14

: Refer to [AV-125, "Terminal and Reference Value for NAVI Control Unit"](#) .

### OK or NG

OK >> Replace audio unit. Refer to [AV-74, "Removal and Installation"](#) .

NG >> Replace NAVI control unit. Refer to [AV-182, "Removal and Installation"](#) .



## Screen Is Not Shown

INFOID:000000001721938

## 1.POWER SUPPLY AND GROUND CIRCUIT CHECK

Check power supply and ground circuit. Refer to [AV-146, "Power Supply and Ground Circuit Inspection for Display Control Unit"](#).

### OK or NG

OK >> Replace display unit. Refer to [AV-182, "Removal and Installation"](#).

NG >> Check the malfunctioning parts.



# NAVIGATION SYSTEM

< SERVICE INFORMATION >

## Audio Screen Is Not Shown (NAVI Screen Is Shown)

INFOID:000000001721939

### 1. CHECK 1: COMMUNICATION LINE

Check audio communication line. Refer to [AV-154, "Audio Communication Line Check \(Between Display Control Unit and Audio Unit\)"](#).

#### OK or NG

- OK >> GO TO 2.
- NG >> Check the malfunctioning parts.

### 2. CHECK 2: COMMUNICATION LINE

Check display communication line. Refer to [AV-156, "Display Communication Line Check \(Between Display Control Unit and Display Unit\)"](#).

#### OK or NG

- OK >> Replace display unit. Refer to [AV-182, "Removal and Installation"](#).
- NG >> Check the malfunctioning parts.

## A/C Screen Is Not Shown (NAVI Screen Is Shown)

INFOID:000000001721940

### 1. CHECK CAN COMMUNICATION LINE

Check CAN communication line. Refer to [AV-158, "CAN Communication Line Check"](#).

#### OK or NG

- OK >> GO TO 2.
- NG >> After filling out CAN DIAG SUPPORT MONITOR check sheet, GO TO [LAN-38](#).

### 2. CHECK COMMUNICATION LINE

Check display communication line. Refer to [AV-156, "Display Communication Line Check \(Between Display Control Unit and Display Unit\)"](#).

#### OK or NG

- OK >> Replace display unit. Refer to [AV-182, "Removal and Installation"](#).
- NG >> Check the malfunctioning parts.

## TRIP, FUEL ECON and MAINTENANCE Screens Are Not Shown

INFOID:000000001721941

### 1. CHECK IGNITION SIGNAL

Check ignition signal. Refer to [AV-152, "Ignition Signal Inspection for Display Control Unit"](#).

#### OK or NG

- OK >> GO TO 2.
- NG >> Check the malfunctioning parts.

### 2. CHECK POWER SUPPLY AND GROUND CIRCUIT

Check power supply circuit for display control unit. Refer to [AV-146, "Power Supply and Ground Circuit Inspection for Display Control Unit"](#).

#### OK or NG

- OK >> GO TO 3.
- NG >> Check the malfunctioning parts.

### 3. CHECK COMMUNICATION LINE

Check display communication line. Refer to [AV-156, "Display Communication Line Check \(Between Display Control Unit and Display Unit\)"](#).

#### OK or NG

- OK >> Replace display unit. Refer to [AV-182, "Removal and Installation"](#).
- NG >> Check the malfunctioning parts.

## Average Fuel Economy Display Is Not Shown (" \*\*\* " Is Shown)

INFOID:000000001721942

### 1. CHECK VEHICLE SPEED SIGNAL

A

B

C

D

E

F

G

H

I

J

AV

L

M

N

O

P

# NAVIGATION SYSTEM

## < SERVICE INFORMATION >

Check vehicle speed signal. Refer to [AV-150. "Vehicle Speed Signal Inspection for Display Control Unit"](#).

### OK or NG

- OK >> GO TO 2.
- NG >> Check the malfunctioning parts.

## 2.CHECK CAN COMMUNICATION LINE

Check CAN communication line. Refer to [AV-158. "CAN Communication Line Check"](#).

### OK or NG

- OK >> GO TO 3.
- NG >> After filling out CAN DIAG SUPPORT MONITOR check sheet, GO TO [LAN-38](#).

## 3.CHECK COMMUNICATION LINE

Check display communication line. Refer to [AV-156. "Display Communication Line Check \(Between Display Control Unit and Display Unit\)"](#).

### OK or NG

- OK >> Replace display unit. Refer to [AV-182. "Removal and Installation"](#).
- NG >> Check the malfunctioning parts.

Distance to Empty Display Is Not Shown (" \*\*\* "is Shown)

INFOID:000000001721943

## 1.CHECK SPEED METER

Confirm that speedometer is functioning.

### Is speedometer functioning?

- YES >> GO TO 2.
- NO >> Refer to [DI-17. "Vehicle Speed Signal Inspection"](#).

## 2.CHECK FUEL METER

Confirm that fuel meter is functioning.

### Is fuel meter functioning?

- YES >> GO TO 3.
- NO >> Refer to [DI-19. "Fuel Level Sensor Signal Inspection 1"](#).

## 3.CHECK CAN COMMUNICATION LINE

Check CAN communication line. Refer to [AV-158. "CAN Communication Line Check"](#).

### OK or NG

- OK >> GO TO 4.
- NG >> After filling out CAN DIAG SUPPORT MONITOR check sheet, GO TO [LAN-38](#).

## 4.CHECK COMMUNICATION LINE

Check display communication line. Refer to [AV-156. "Display Communication Line Check \(Between Display Control Unit and Display Unit\)"](#).

### OK or NG

- OK >> Replace display unit. Refer to [AV-182. "Removal and Installation"](#).
- NG >> Check the malfunctioning parts.

Driving Distance or Average speed Display Is Not Shown (" \*\*\* " Is Shown)

INFOID:000000001721944

## 1.CHECK VEHICLE SPEED SIGNAL

Check vehicle speed signal. Refer to [AV-150. "Vehicle Speed Signal Inspection for Display Control Unit"](#).

### OK or NG

- OK >> GO TO 2.
- NG >> Check the malfunctioning parts.

## 2.CHECK CAN COMMUNICATION LINE

Check CAN communication line. Refer to [AV-158. "CAN Communication Line Check"](#).

### OK or NG

# NAVIGATION SYSTEM

## < SERVICE INFORMATION >

---

- OK >> GO TO 3.
- NG >> After filling out CAN DIAG SUPPORT MONITOR check sheet, GO TO [LAN-38](#).

### 3.CHECK COMMUNICATION LINE

---

Check display communication line. Refer to [AV-156, "Display Communication Line Check \(Between Display Control Unit and Display Unit\)"](#).

#### OK or NG

- OK >> Replace display unit. Refer to [AV-182, "Removal and Installation"](#).
- NG >> Check the malfunctioning parts.

## WARNING DOOR OPEN Screen Is Not Shown

INFOID:000000001721945

### 1.CHECK VEHICLE SPEED SIGNAL

---

Check vehicle speed signal. Refer to [AV-150, "Vehicle Speed Signal Inspection for Display Control Unit"](#).

#### OK or NG

- OK >> GO TO 2.
- NG >> Check the malfunctioning parts.

### 2.CHECK CAN COMMUNICATION LINE

---

Check CAN communication line. Refer to [AV-158, "CAN Communication Line Check"](#).

#### OK or NG

- OK >> GO TO 3.
- NG >> After filling out CAN DIAG SUPPORT MONITOR check sheet, GO TO [LAN-38](#).

### 3.CHECK COMMUNICATION LINE

---

Check display communication line. Refer to [AV-156, "Display Communication Line Check \(Between Display Control Unit and Display Unit\)"](#).

#### OK or NG

- OK >> Replace display unit. Refer to [AV-182, "Removal and Installation"](#).
- NG >> Check the malfunctioning parts.

## Unable to Operate All of AV switches (Unable to start Self-Diagnosis)

INFOID:000000001721946

### 1.CHECK POWER SUPPLY AND GROUND CIRCUIT

---

Check power supply and ground circuit. Refer to [AV-50, "Power Supply Circuit Inspection"](#).

#### OK or NG

- OK >> GO TO 2.
- NG >> Check the malfunctioning parts.

### 2.AV SWITCH SELF-DIAGNOSIS

---

AV switch self-diagnosis. Refer to [AV-46, "AV Switch Self-Diagnosis Function \(With NAVI\)"](#).

#### OK or NG

- OK >> GO TO 3.
- NG >> Check the malfunctioning parts.

### 3.CHECK COMMUNICATION LINE

---

Check communication line. Refer to [AV-157, "AV Communication Line Check \(Between Display Control Unit and AV Switch\)"](#).

#### OK or NG

- OK >> Replace AV switch. Refer to [AV-182, "Removal and Installation"](#).
- NG >> Replace display control unit. Refer to [AV-182, "Removal and Installation"](#).

## Audio Does Not Work

INFOID:000000001721947

### 1.AV SWITCH SELF-DIAGNOSIS

---

AV switch self-diagnosis. Refer to [AV-46, "AV Switch Self-Diagnosis Function \(With NAVI\)"](#).

A  
B  
C  
D  
E  
F  
G  
H  
I  
J  
L  
M  
N  
O  
P

AV

# NAVIGATION SYSTEM

## < SERVICE INFORMATION >

---

### OK or NG

- OK >> GO TO 2.
- NG >> Check the malfunctioning parts.

## 2.CHECK COMMUNICATION LINE

---

Check audio communication line. Refer to [AV-154. "Audio Communication Line Check \(Between Display Control Unit and Audio Unit\)"](#).

### OK or NG

- OK >> Replace audio unit. Refer to [AV-74. "Removal and Installation"](#).
- NG >> Check the malfunctioning parts.

## A/C Does Not Work

INFOID:000000001721948

## 1.AV SWITCH SELF-DIAGNOSIS

---

AV switch self-diagnosis. Refer to [AV-46. "AV Switch Self-Diagnosis Function \(With NAVI\)"](#).

### OK or NG

- OK >> GO TO 2.
- NG >> Check the malfunctioning parts.

## 2.CHECK COMMUNICATION LINE

---

Check AV communication line. Refer to [AV-157. "AV Communication Line Check \(Between Display Control Unit and AV Switch\)"](#).

### OK or NG

- OK >> GO TO 3.
- NG >> Check the malfunctioning parts.

## 3.CHECK CAN COMMUNICATION LINE

---

Check CAN communication line. Refer to [AV-158. "CAN Communication Line Check"](#).

### OK or NG

- OK >> Replace display control unit. Refer to [AV-182. "Removal and Installation"](#).
- NG >> After filling out CAN DIAG SUPPORT MONITOR check sheet, GO TO [LAN-38](#).

## Navigation System Does Not Activate

INFOID:000000001721949

## 1.POWER SUPPLY AND GROUND CIRCUIT CHECK

---

Check power supply and ground circuit. Refer to [AV-145. "Power Supply and Ground Circuit Inspection for NAVI Control Unit"](#).

### OK or NG

- OK >> Replace NAVI control unit. Refer to [AV-182. "Removal and Installation"](#).
- NG >> Check the malfunctioning parts.

## Previous NAVI Conditions Are Not Stored

INFOID:000000001721950

## 1.CHECK BATTERY POWER

---

Check NAVI control unit battery power. Refer to [AV-145. "Power Supply and Ground Circuit Inspection for NAVI Control Unit"](#).

### OK or NG

- OK >> Replace NAVI control unit. Refer to [AV-182. "Removal and Installation"](#).
- NG >> Check NAVI control unit battery power system harness.

## Previous Vehicle Conditions Are Not Stored

INFOID:000000001721951

## 1.CHECK BATTERY POWER

---

Check display control unit battery power. Refer to [AV-146. "Power Supply and Ground Circuit Inspection for Display Control Unit"](#).

### OK or NG

# NAVIGATION SYSTEM

## < SERVICE INFORMATION >

- OK >> Replace display control unit. Refer to [AV-182. "Removal and Installation"](#).  
NG >> Check display control unit battery power system harness.

## Position of Current Location Mark Is Not Correct

INFOID:000000001721952

### 1. SELF-DIAGNOSIS

"Self-diagnosis mode" of the self-diagnosis function. Refer to [AV-136. "Self-Diagnosis Mode \(NAVI\)"](#).

#### OK or NG

- OK >> GO TO 2.  
NG >> Check the malfunctioning parts.

### 2. HISTORY OF ERRORS DIAGNOSIS

Was any error stored in [AV-138. "Confirmation/Adjustment Mode"](#) of the CONFIRMATION/ADJUSTMENT mode?

#### YES or NO

- YES >> [AV-138. "Confirmation/Adjustment Mode"](#).  
NO >> [AV-173. "Driving Test"](#).

## Radio Wave from GPS Satellite Is Not Received

INFOID:000000001721953

### 1. CHECK ENVIRONMENT

Check if any metal object that intercepts radio waves or an object that emits radio waves (such as a portable phone) is located near the GPS antenna. Check if the vehicle is shielded by a building.

#### OK or NG

- OK >> System is not malfunctioning. The GPS antenna may not be able to receive radio waves from the GPS satellite if it is shielded by metal object or an object emitting radio waves is placed near it.  
NG >> GO TO 2.

### 2. SELF-DIAGNOSIS

"Self-diagnosis mode" of the self-diagnosis function. Refer to [AV-136. "Self-Diagnosis Mode \(NAVI\)"](#).

#### OK or NG

- OK >> Replace GPS antenna. Refer to [AV-182. "Removal and Installation"](#).  
NG >> Check the malfunctioning parts.

## Driving Test

INFOID:000000001721954

### 1. DRIVING TEST 1

1. Scroll the map screen to display the area to make correction. Press "ENTER" and select "CURRENT LOCATION CORRECTION".
2. Correct direction of the vehicle mark.
3. Perform the distance correction of the CONFIRMATION/ADJUSTMENT mode.  
Note: Normally, adjustment is not necessary because this system has automatic distance correction function. However, when a tire chain is fitted, adjustment in accordance with the tire diameter ratio must be made.
4. Are symptoms malfunctioning to the [AV-174. "Example of Symptom Judged Not Malfunction"](#) present after driving the vehicle?

#### YES or NO

- YES >> Limit of the location detection capacity of the navigation system.  
NO >> GO TO 2.

### 2. DRIVING TEST 2

- Did any malfunction occur when the proper test in the following test patterns is performed?
- Test pattern  
Driving test finds the difference between the symptoms monitored with and without each sensor.
- Test pattern 1: Test method with no GPS location correction  
Disconnect GPS antenna connector at the NAVI control unit. Accurately adjust the current location and the direction, then drive the vehicle.

A  
B  
C  
D  
E  
F  
G  
H  
I  
J  
L  
M  
N  
O  
P

AV

# NAVIGATION SYSTEM

## < SERVICE INFORMATION >

- Test pattern 2: Test method with no map-matching  
Accurately adjust the current location and the direction. Eject the map DVD-ROM from the NAVI control unit with ignition switch turned to OFF, then drive the vehicle. After driving, insert the map DVD-ROM back in the unit, display the track of the vehicle on the map screen and compare it with the actual road configuration.
- Sample tests
- <To determine if the current-location mark skips at the same position, if so, whether it is caused by map-matching or by GPS>  
Perform test pattern 1.
- <To determine if the pattern of streets displayed is correct or not>  
Perform test pattern 1 & 2.  
Compare the track of the vehicle on the map screen and the actual road configuration. For fairly accurate tracking, plotting shall be made every several hundred meters.
- <When the distance is adjusted accurately>  
Perform test pattern 1 & 2.  
Drive on a road of which distance is accurately known (by utilizing distance posts on a highway). Calculate the rate of change (increased/decreased) of the distance by comparing with the actual distance.  
Correction = A/B  
A: Distance shown on the screen  
B: Actual distance

### YES or NO

- YES >> • If adjustment is insufficient, perform adjustment again.  
• If any error is found in the map, please contact map data supplier. Refer to Navigation System Owner's Manual for contact information.  
• Replace NAVI control unit. Refer to [AV-182, "Removal and Installation"](#).
- NO >> Limit of the location detection capacity of the navigation system.

## Example of Symptom Judged Not Malfunction

INFOID:000000001721955

## BASIC OPERATION

Symptom	Cause	Remedy
No image is shown.	Display brightness adjustment is set fully to DARK side.	Adjust the display brightness.
No guide sound is heard. Audio guide volume is too low or too high.	Volume control is set to OFF, MIN or MAX.	Adjust the audio guide volume.
	Audio guidance is not available while the vehicle is driving on a dark pink route.	System is not malfunctioning.
Screen is too dark. Motion of the image is too slow.	Temperature inside the vehicle is low.	Wait until the temperature inside the vehicle reaches the proper temperature.
Small black or bright spots appear on the screen.	Symptom peculiar to a liquid crystal display (display unit).	System is not malfunctioning.

## VEHICLE MARK

Symptom	Cause	Remedy
Map screen and BIRDVIEW™ Name of the place vary with the screen.	Some thinning of the character data is done to prevent the display becoming to complex. In some cases and in some locations, the display contents may differ. The same place name, street name, etc. may not be displayed every time on account of the data processing.	System is not malfunctioning.
Vehicle mark is not positioned correctly.	Vehicle is transferred by ferry or by towing after its ignition switch is turned to OFF.	Drive the vehicle for a while in the GPS satellite signal receiving condition.
Screen will not switch to nighttime mode after the lighting switch is turned ON.	The daytime screen is selected by the "SWITCH SCREENS" when the last time the screen dimming setting is done. Switching between daytime/nighttime screen may be inhibited by the automatic illumination adjustment function.	Perform screen dimming and select the nighttime screen by "SWITCH SCREENS".

# NAVIGATION SYSTEM

## < SERVICE INFORMATION >

Symptom	Cause	Remedy	
Map screen will not scroll in accordance with the vehicle travel.	Current location is not displayed.	Press "MAP" button to display the current location.	A
Vehicle mark will not be shown.	Current location is not displayed.	Press "MAP" button to display the current location.	B
Accuracy indicator (GPS satellite mark) on the map screen stays gray.	GPS satellite signal is intercepted because the vehicle is in or behind a building.	Move the vehicle out to an open space.	C
	GPS satellite signal cannot be received because an obstacle is placed on top of the instrument panel.	Do not place anything in the center on top of the display.	
	GPS satellites are not visible from current location.	Wait until GPS satellites are visible by moving the vehicle.	
Vehicle location accuracy is low.	Accuracy indicator (GPS satellite mark) on the map screen stays gray.	Current location is not determined.	E
	Vehicle speed setting by the vehicle speed pulse has been deviated (advanced or retarded) from the actual vehicle speed because tire chain is fitted or the system has been used on another vehicle.	Drive the vehicle for a while [for approx. 30 minutes at approx. 30 km/h (19 MPH)] and the deviation will be automatically adjusted. If advancement or retard still occur, perform the distance adjustment by CONFIRMATION/ADJUSTMENT mode of diagnosis function.	F
	Map data has error or omission. (Vehicle mark is always deviated to the same position.)	As a rule, an updated map DVD-ROM will be released once a year.	G

## DESTINATION, PASSING POINTS, AND MENU ITEMS CANNOT BE SELECTED/SET

Symptom	Cause	Remedy	
Destination cannot be set.	Destination to be set is on an expressway.	Set the destination on an ordinary road.	I
Passing point is not searched when re-searching the route.	The vehicle has already passed the passing point, or the system judged so.	To include the passing points that have been passed into the route again, set the route again.	J
Route information will not be displayed.	Route searching has not been done.	Set the destination and perform route searching.	AV
	Vehicle mark is not on the recommended route.	Drive on the recommended route.	
	Route guide is turned OFF.	Turn route guide ON.	
	Route information is not available on the dark pink route.	System is not malfunctioning.	
After the route searching, no guide sign will appear as the vehicle goes near the entrance/exit to the toll road.	Vehicle mark is not on the recommended route. (On the display, only guide signs related to the recommended route will be shown.)	Drive on the recommended route.	M
Automatic route searching is not possible.	Vehicle is driving on a highway (gray route), or no recommended route is available.	Drive on a road to be searched. Or re-search the route manually. In this case, however, the whole route will be searched.	N
Performed automatic detour search (or detour search). However, the result is the same as that of the previous search.	Performed search with every conditions considered. However, the result is the same as that of the previous search.	System is not malfunctioning.	O
Passing points cannot be set.	More than five passing points were set.	Passing points can be set up to five. To stop at more than five points, perform sharing in several steps.	P
When setting the route, the starting point cannot be selected.	The current vehicle location is always set as the starting point of a route.	System is not malfunctioning.	
Some menu items cannot be selected.	The vehicle is being driven.	Stop the vehicle at a safe place and then operate the system.	

## VOICE GUIDE

# NAVIGATION SYSTEM

## < SERVICE INFORMATION >

Symptom	Cause	Remedy
Voice guide will not operate.	Note: Voice guide is only available at intersections that satisfy certain conditions (indicated by ● on the map). Therefore, guidance may not be given even when the route on the map changes direction.	System is not malfunctioning.
	The vehicle is not on the recommended route.	Return to the recommended route or re-search the route.
	Voice guide is turned OFF.	Turn voice guide ON.
	Route guide is turned OFF.	Turn route guide ON.
Voice guide does not match the actual road pattern.	Voice guide may vary with the direction to which the vehicle is turn and the connection of the road to other roads.	Drive in conformity to the actual traffic rules.

## ROUTE SEARCH

Symptom	Cause	Remedy
No route is shown.	No road to be searched is found around the destination.	Find wider road (orange road or wider) nearby and reset the destination and passing points onto it. Take care of the traveling direction when there are separate up and down roads.
	Starting point and the destination are too close.	Set the destination at more distant point.
	Conditional traffic regulation (day of the week/ time of the day) is set at the area around the current location or the destination.	Turn the time-regulating search conditions OFF. Turn "Avoid regulation time" in the search conditions OFF.
Indicated route is intermittent.	In some areas, highways (gray routes) are not used for the search <sup>(Note)</sup> Therefore, the route to the current location or the passing points may be intermittent.	System is not malfunctioning.
When the vehicle has passed the recommended route, it is deleted from the screen.	A recommended route is controlled by each section. When the vehicle has passed the passing point 1, then the map data from the starting point up to the passing point 1 will be deleted. (The data may remain undeleted in some area.)	System is not malfunctioning.
Detouring route is recommended.	In some areas, highways (gray routes) are not used for the search. (Note). Therefore, detour route may be recommended.	Set the route closer to the basic route (gray route).
	A detour route may be shown when some traffic regulation (one-way traffic, etc.) is set at the area around the starting point or the destination.	Slightly move the starting point or the destination, or set the passing point on the route of your choice.
	In the area where highways (gray routes) are used for the search, left turn has priority around the current location and the destination (passing points). For this reason, the recommended route may be detouring.	System is not malfunctioning.
Landmarks on the map do not match the actual ones.	This can be happen due to omission or error in the map data.	As a rule, an updated map DVD-ROM will be released once a year. Wait until the latest map has become available.
Recommended route is far from the starting point, passing points, and destination.	Starting point, passing points, and destination of the route guide were set far from the desired points because route searching data around these area were not stored.	Reset the destination onto the road nearby. If this road is one of the highways (gray routes), an ordinary road nearby may be displayed as the recommended route.

### NOTE:

Except for the ordinance-designated cities. (Malfunctioning areas may be changed in the updated map disc.)

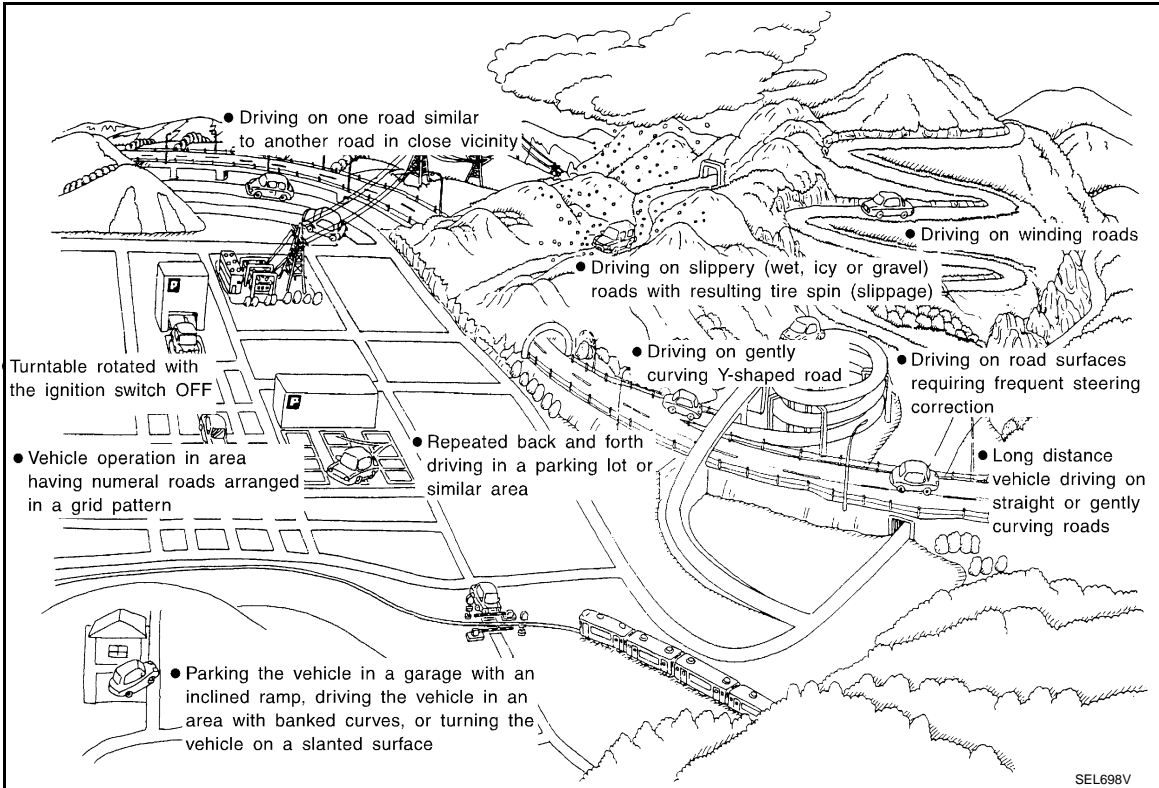
## EXAMPLES OF CURRENT-LOCATION MARK DISPLACEMENT



# NAVIGATION SYSTEM

## < SERVICE INFORMATION >

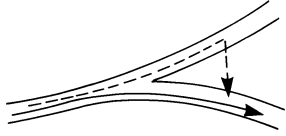
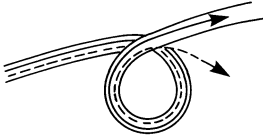
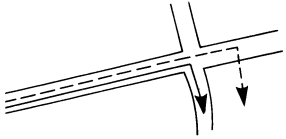
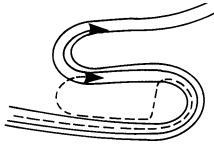
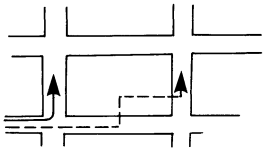
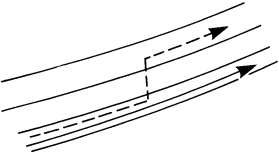
Vehicle's travel amount is calculated by reading its travel distance and turning angle. Therefore, if the vehicle is driven in the following manner, an error will occur in the vehicle's current location display. If correct location has not been restored after driving the vehicle for a while, perform location correction.



A  
B  
C  
D  
E  
F  
G  
H  
I  
J  
AV  
L  
M  
N  
O  
P

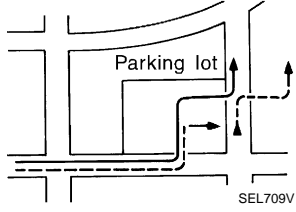
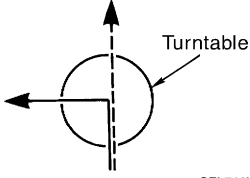
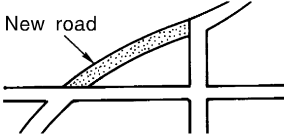
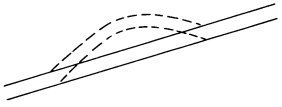
# NAVIGATION SYSTEM

## < SERVICE INFORMATION >

	Cause (condition) –: While driving ooo: Display	Driving condition	Remarks (correction, etc.)
Road configuration	<p>Y-intersections</p>  <p>ELK0192D</p>	<p>At a Y intersection or similar gradual division of roads, an error in the direction of travel deduced by the sensor may result in the current-location mark appearing on the wrong road.</p>	<p>If after travelling about 10 km (6 miles) the correct location has not been restored, perform location correction and, if necessary, direction correction.</p>
	<p>Spiral roads</p>  <p>ELK0193D</p>	<p>When driving on a large, continuous spiral road (such as loop bridge), turning angle error is accumulated and the vehicle mark may deviate from the correct location.</p>	
	<p>Straight roads</p>  <p>ELK0194D</p>	<p>When driving on a long, straight road and slow curve without stopping, map-matching does not work effectively enough and distance errors may accumulate. As a result, the vehicle mark may deviate from the correct location when the vehicle is turned at a corner.</p>	
	<p>Zigzag roads</p>  <p>ELK0195D</p>	<p>When driving on a zigzag road, the map may be matched to other roads in the similar direction nearby at every turn, and the vehicle mark may deviate from the correct location.</p>	
	<p>Roads laid out in a grid pattern</p>  <p>ELK0196D</p>	<p>When driving where roads are laid out in a grid pattern, or where many roads are running in the similar direction nearby, the map may be matched to them by mistake and the vehicle mark may deviate from the correct location.</p>	
	<p>Parallel roads</p>  <p>ELK0197D</p>	<p>When two roads are running in parallel (such as highway and sideways), the map may be matched to the other road by mistake and the vehicle mark may deviate from the correct location.</p>	

# NAVIGATION SYSTEM

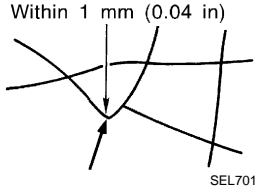
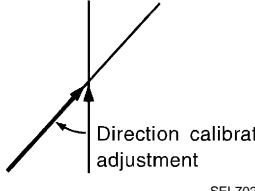
## < SERVICE INFORMATION >

Cause (condition)    -: While driving    ooo: Display		Driving condition	Remarks (correction, etc.)
Place	In a parking lot  <small>SEL709V</small>	When driving in a parking lot, or other location where there are no roads on the map, matching may place the vehicle mark on a nearby road. When the vehicle returns to the road, the vehicle mark may have deviated from the correct location. When driving in circle or turning the steering wheel repeatedly, direction errors accumulate, and the vehicle mark may deviate from the correct location.	If after travelling about 10 km (6 miles) the correct location has not been restored, perform location correction and, if necessary, direction correction.
	Turntable  <small>SEL710V</small>	When the ignition switch is OFF, the navigation system cannot get the signal from the gyroscope (angular speed sensor). Therefore, the displayed direction may be wrong and the correct road may not be easily returned to after rotating the vehicle on a turntable with the ignition OFF.	
	Slippery roads	On snow, wet roads, gravel, or other roads where tires may slip easily, accumulated mileage errors may cause the vehicle mark to deviate from the correct road.	
	Slopes	When parking in sloped garages, when travelling on banked roads, or in other cases where the vehicle turns when tilted, an error in the turning angle will occur, and the vehicle mark may deviate from the road.	
Map data	Road not displayed on the map screen  <small>SEL699V</small>	When driving on new roads or other roads not displayed on the map screen, map matching does not function correctly and matches the location to a nearby road. When the vehicle returns to a road which is on the map, the vehicle mark may deviate from the correct road.	
	Different road pattern (Changed due to repair)  <small>ELK0201D</small>	If the road pattern stored in the map data and the actual road pattern are different, map matching does not function correctly and matches the location to a nearby road. The vehicle mark may deviate from the correct road.	
Vehicle	Use of tire chains	When tire chains are used, the mileage is not correctly detected, and the vehicle mark may deviate from the correct road.	Drive the vehicle for a while. If the distance still deviates, adjust it by using the distance adjustment function. (If the tire chain is removed, recover the original value.)

A  
B  
C  
D  
E  
F  
G  
H  
I  
J  
AV  
L  
M  
N  
O  
P

# NAVIGATION SYSTEM

## < SERVICE INFORMATION >

Cause (condition)    -: While driving    ooo: Display		Driving condition	Remarks (correction, etc.)
Precautions for driving	Just after the engine is started	If the vehicle is driven just after the engine is started when the gyroscope (angular speed sensor) correction is not completed, the vehicle can lose its direction and may have deviated from the correct location.	Wait for a short while before driving after starting the engine.
	Continuous driving without stopping	When driving long distances without stopping, direction errors may accumulate, and the current-location mark may deviate from the correct road.	Stop and adjust the orientation.
	Abusive driving	Spinning the wheels or engaging in other kinds of abusive driving may result in the system being unable to perform correct detection, and may cause the vehicle mark to deviate from the correct road.	If after travelling about 10 km (6 miles) the correct location has not been restored, perform location correction and, if necessary, direction correction.
How to correct location	Position correction accuracy 	If the accuracy of location settings is poor, accuracy may be reduced when the correct road cannot be found, particularly in places where there are many roads.	Enter in the road displayed on the screen with an accuracy of approx. 1mm. Caution: Whenever possible, use detailed map for the correction.
	Direction when location is corrected 	If the accuracy of location settings during correction is poor, accuracy may be reduced afterwards.	Perform direction correction.

### CURRENT LOCATION MARK SHOWS A POSITION WHICH IS COMPLETELY WRONG

In the following cases, the current-location mark may appear on completely different position in the map depending on the GPS satellite signal receiving conditions. In this case, perform location correction and direction correction.

- When location correction has not been done
  - If the receiving conditions of the GPS satellite signal is poor, if the current-location mark becomes out of place, it may move to a completely different location and not come back if location correction is not done. The position will be corrected if the GPS signal can be received.
- When the vehicle has traveled by ferry, or when the vehicle has been towed
  - Because calculation of the current location cannot be done when travelling with the ignition OFF, for example when traveling by ferry or when being towed, the location before travel is displayed. If the precise location can be detected with GPS, the location will be corrected.

### CURRENT-LOCATION MARK JUMPS

In the following cases, the current-location mark may appear to jump as a result of automatic correction of the current location.

- When map-matching has been done
  - If the current location and the current-location mark are different when map-matching is done, the current-location mark may seem to jump. At this time, the location may be "corrected" to the wrong road or to a location which is not on a road.
- When GPS location correction has been done
  - If the current location and the current-location mark are different when the location is corrected using GPS measurements, the current-location mark may seem to jump. At this time, the location may be "corrected" to a location which is not on a road.

### CURRENT LOCATION MARK IS IN A RIVER OR SEA

The navigation system moves the current-location mark with no distinction between land and rivers or sea. If the location mark is somehow out of place, it may appear that the vehicle is driving in a river or the sea.

WHEN DRIVING ON SAME ROAD, SOMETIMES CURRENT-LOCATION MARK IS IN RIGHT

# NAVIGATION SYSTEM

## < SERVICE INFORMATION >

---

### PLACE AND SOMETIMES IT IS WRONG PLACE

The conditions of the GPS antenna (GPS data) and gyroscope (angular speed sensor) change gradually. Depending on the road traveled and the operation of the steering wheel, the location detection results will be different. Therefore, even on a road on which the location has never been wrong, conditions may cause the vehicle mark to deviate.

### LOCATION CORRECTION BY MAP-MATCHING IS SLOW

- The map-matching function needs to refer to the data of the surrounding area. It is necessary to drive some distance for the function to work.
- Because map-matching operates on this principle, when there are many roads running in similar directions in the surrounding area, no matching determination may be made. The location may not be corrected until some special feature is found.

### ALTHOUGH GPS RECEIVING DISPLAY IS GREEN, VEHICLE MARK DOES NOT RETURN TO CORRECT LOCATION

- The GPS accuracy has an error of approximately 10 m (30 ft). In some cases the current-location mark may not be on the correct street, even when GPS location-correction is done.
- The navigation system compares the results of GPS location detection with the results from map-matching location detection. The one which is determined to have higher accuracy is used.
- GPS location correction may not be performed when the vehicle is stopped.

### NAME OF CURRENT PLACE IS NOT DISPLAYED

The current place name may not be displayed if there are no place names displayed on the map screen.

### CONTENTS OF DISPLAY DIFFER FOR BIRDVIEW™ AND THE (FLAT) MAP SCREEN

Difference of the BIRDVIEW™ screen from the flat map screen are as follows.

- The current place name displays names which are primarily in the direction of vehicle travel.
- The amount of time before the vehicle travel or turn angle is updated on the screen is longer than for the (flat) map display.
- The conditions for display of place names, roads, and other data are different for nearby areas and for more distant areas.
- Some thinning of the character data is done to prevent the display becoming too complex. In some cases and in some locations, the display contents may differ.
- The same place name, street name, etc. may be displayed multiple times.

A  
B  
C  
D  
E  
F  
G  
H  
I  
J  
L  
M  
N  
O  
P

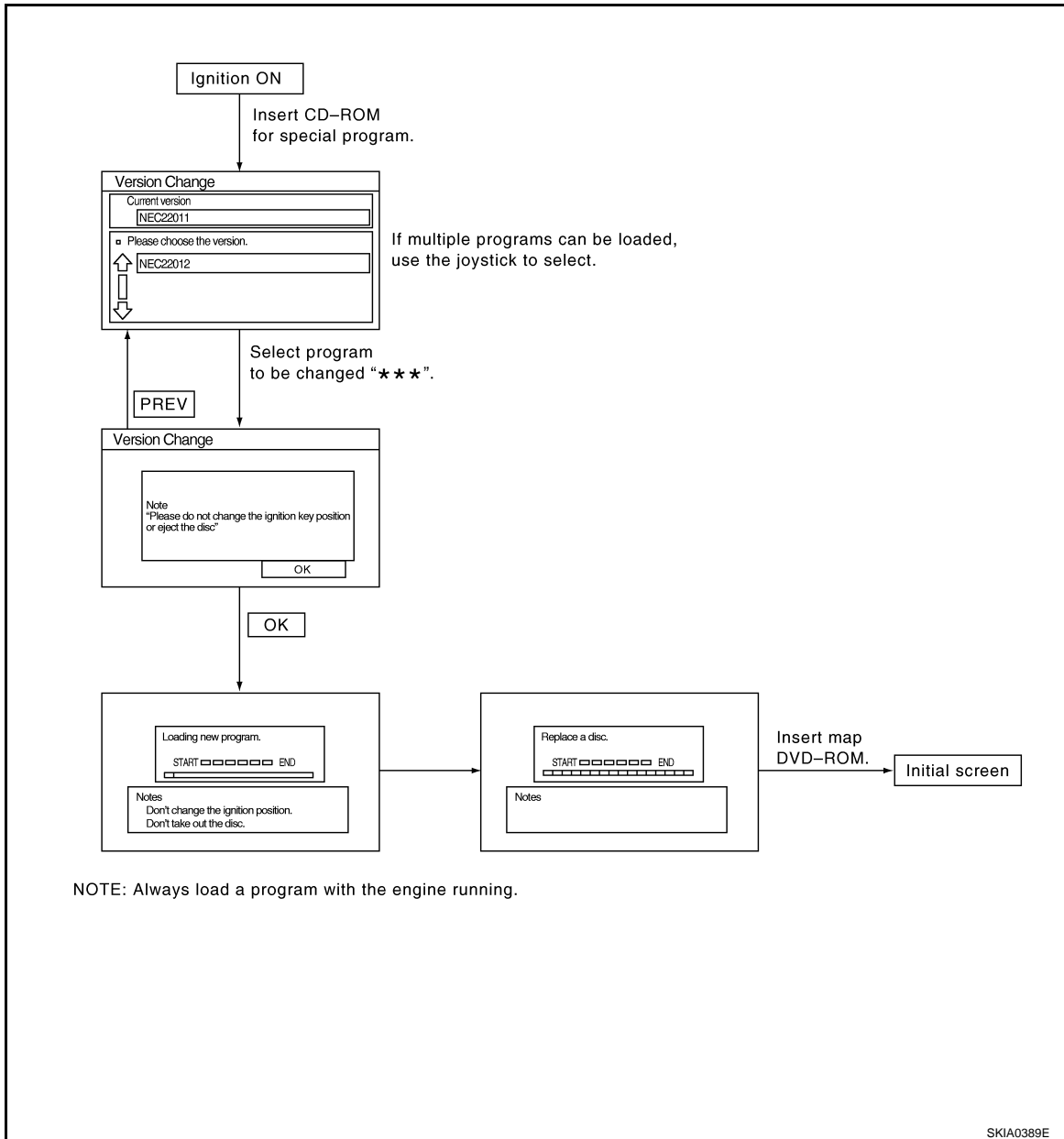
AV

# NAVIGATION SYSTEM

< SERVICE INFORMATION >

## Program Loading of NAVI Control Unit

INFOID:000000001721956



## Removal and Installation

INFOID:000000001721957

### AV SWITCH

Refer to [AV-74, "Removal and Installation"](#).

### DISPLAY CONTROL UNIT

Refer to [IP-13, "Center Stack Assembly"](#).

### DISPLAY UNIT

Refer to [IP-13, "Center Stack Assembly"](#).

### GPS ANTENNA

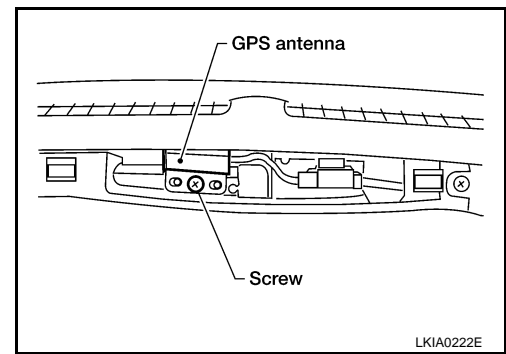
#### Removal

1. Remove security indicator lamp.

# NAVIGATION SYSTEM

## < SERVICE INFORMATION >

2. Disconnect GPS antenna connector.
3. Remove GPS antenna.



### Installation

Installation is in the reverse order of removal.

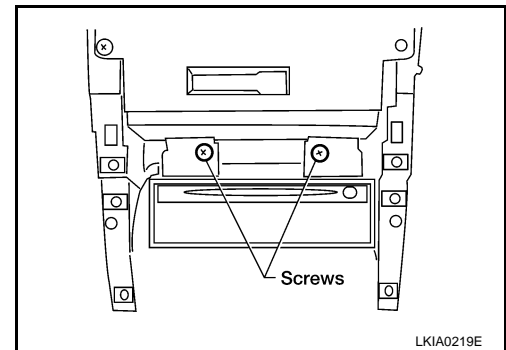
## NAVI CONTROL UNIT

### Removal

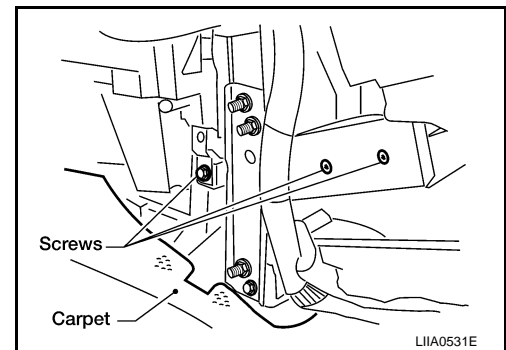
#### **CAUTION:**

**To avoid damage, eject map DVD-ROM before removing the NAVI control unit.**

1. Disconnect negative battery cable.
2. Remove center console. Refer to [IP-17, "Front Center Console"](#).
3. Remove cluster lid D. Refer to [IP-12, "Cluster Lid D"](#).
4. Remove screws from front of NAVI control unit.



5. Pull carpet left of NAVI control unit aside and remove screws.



6. Disconnect NAVI control unit connectors.
7. Remove NAVI control unit.

### Installation

Installation is in the reverse order of removal.

## STEERING WHEEL AUDIO CONTROL SWITCHES

To replace steering wheel switches it is necessary to replace the steering wheel. Refer to [PS-9, "Removal and Installation"](#).